

TG700
TV Signal Generator Platform
Service Manual



077-0230-00

TG700
TV Signal Generator Platform
Service Manual

Copyright © Tektronix. All rights reserved. Licensed software products are owned by Tektronix or its subsidiaries or suppliers, and are protected by national copyright laws and international treaty provisions.

Tektronix products are covered by U.S. and foreign patents, issued and pending. Information in this publication supersedes that in all previously published material. Specifications and price change privileges reserved.

TEKTRONIX and TEK are registered trademarks of Tektronix, Inc.

Contacting Tektronix

Tektronix, Inc.
14200 SW Karl Braun Drive
P.O. Box 500
Beaverton, OR 97077
USA

For product information, sales, service, and technical support:

- In North America, call 1-800-833-9200.
- Worldwide, visit www.tektronix.com to find contacts in your area.

Warranty

Tektronix warrants that this product will be free from defects in materials and workmanship for a period of one (1) year from the date of shipment. If any such product proves defective during this warranty period, Tektronix, at its option, either will repair the defective product without charge for parts and labor, or will provide a replacement in exchange for the defective product. Parts, modules and replacement products used by Tektronix for warranty work may be new or reconditioned to like new performance. All replaced parts, modules and products become the property of Tektronix.

In order to obtain service under this warranty, Customer must notify Tektronix of the defect before the expiration of the warranty period and make suitable arrangements for the performance of service. Customer shall be responsible for packaging and shipping the defective product to the service center designated by Tektronix, with shipping charges prepaid. Tektronix shall pay for the return of the product to Customer if the shipment is to a location within the country in which the Tektronix service center is located. Customer shall be responsible for paying all shipping charges, duties, taxes, and any other charges for products returned to any other locations.

This warranty shall not apply to any defect, failure or damage caused by improper use or improper or inadequate maintenance and care. Tektronix shall not be obligated to furnish service under this warranty a) to repair damage resulting from attempts by personnel other than Tektronix representatives to install, repair or service the product; b) to repair damage resulting from improper use or connection to incompatible equipment; c) to repair any damage or malfunction caused by the use of non-Tektronix supplies; or d) to service a product that has been modified or integrated with other products when the effect of such modification or integration increases the time or difficulty of servicing the product.

THIS WARRANTY IS GIVEN BY TEKTRONIX WITH RESPECT TO THE PRODUCT IN LIEU OF ANY OTHER WARRANTIES, EXPRESS OR IMPLIED. TEKTRONIX AND ITS VENDORS DISCLAIM ANY IMPLIED WARRANTIES OF MERCHANTABILITY OR FITNESS FOR A PARTICULAR PURPOSE. TEKTRONIX' RESPONSIBILITY TO REPAIR OR REPLACE DEFECTIVE PRODUCTS IS THE SOLE AND EXCLUSIVE REMEDY PROVIDED TO THE CUSTOMER FOR BREACH OF THIS WARRANTY. TEKTRONIX AND ITS VENDORS WILL NOT BE LIABLE FOR ANY INDIRECT, SPECIAL, INCIDENTAL, OR CONSEQUENTIAL DAMAGES IRRESPECTIVE OF WHETHER TEKTRONIX OR THE VENDOR HAS ADVANCE NOTICE OF THE POSSIBILITY OF SUCH DAMAGES.

[W2 – 15AUG04]

Table of Contents

General Safety Summary	xii
Service Safety Summary	xiv
Preface	xv
Manual Structure	xv
Manual Conventions	xv
Finding Other Information	xvi
Introduction	xvii
Performance Check Interval	xvii
Strategy for Servicing	xvii
Tektronix Service Offerings	xvii
Maintenance for Generators and Modules	xix
Preparation	xix
Inspection and Cleaning	xx
Repackaging Instructions	xxi

TG700 Platform

TG700 Mainframe Theory of Operation	1-1
A10 Main Board	1-1
Power Supply Module	1-2
TG700 Adjustment Procedures	1-3
Requirement for Adjustment	1-3
Equipment Required	1-3
Master Clock Frequency Adjustment	1-4
TG700 Mainframe Maintenance	1-5
Related Maintenance Procedures	1-5
Preparation	1-5
Inspection and Cleaning	1-6
TG700 Mainframe Removal and Installation Procedures	1-10
Preparation	1-10
Access Procedure	1-15
Procedures for External Modules	1-15
Procedure for Internal Modules	1-20
TG700 Mainframe Troubleshooting	1-24
Diagnostics	1-24
Troubleshooting Trees	1-25
TG700 Mainframe Diagrams	1-28
TG700 Mainframe Replaceable Parts List	1-31
Parts Ordering Information	1-31

Using the Replaceable Parts List.....	1-32
Removing a Module.....	1-41

AG7 Audio Generator

AG7 Audio Generator Theory of Operation.....	2-1
AG7 Audio Generator Maintenance.....	2-2
AG7 Audio Generator Removal and Replacement	2-3
Tools Required.....	2-3
Replacing the Rear-Panel Connectors and Chassis	2-3
AG7 Audio Generator Troubleshooting.....	2-5
Equipment Required.....	2-5
Backing up the Instrument Settings.....	2-5
Troubleshooting Trees.....	2-6
AG7 Audio Generator Diagram.....	2-8
AG7 Audio Generator Replaceable Parts List.....	2-9

AGL7 Analog Genlock Module

AGL7 Analog Genlock Module Theory of Operation.....	3-1
Analog Genlock.....	3-1
Black Burst Generator.....	3-1
AGL7 Analog Genlock Adjustment Procedures	3-3
Requirements for Adjustment	3-3
Equipment Required.....	3-3
Output Offset and Gain Adjustment	3-4
Clock Timing Adjustment (Board Number 671-B089-XX and 671-B279-00 Only).....	3-6
AGL7 Analog Genlock Module Maintenance.....	3-11
AGL7 Analog Genlock Module Removal and Replacement	3-12
Tools Required.....	3-12
Replacing the Rear-Panel Connectors and Chassis	3-12
AGL7 Analog Genlock Module Troubleshooting	3-14
Equipment Required.....	3-14
Backing up the Instrument Settings.....	3-14
Troubleshooting Trees.....	3-15

AGL7 Analog Genlock Module Diagram	3-17
AGL7 Analog Generator Module Replaceable Parts List.....	3-18

ATG7 Analog Test Generator

ATG7 Analog Test Generator Theory of Operation	4-1
ATG7 Analog Test Generator Maintenance	4-2
ATG7 Analog Test Generator Removal and Replacement.....	4-3
Tools Required	4-3
Replacing the Rear-Panel Connectors and Chassis	4-3
ATG7 Analog Test Generator Troubleshooting	4-5
Equipment Required.....	4-5
Backing up the Instrument Settings.....	4-5
Troubleshooting Trees.....	4-6
ATG7 Analog Test Generator Diagram	4-8
ATG7 Analog Test Generator Replaceable Parts List	4-9

AVG7 Analog Video Generator

AVG7 Analog Video Generator Theory of Operation.....	5-1
AVG7 Analog Video Generator Adjustment Procedures.....	5-3
Requirements for Adjustment	5-3
Equipment Required.....	5-4
Output Offset and Gain Adjustment	5-4
Frame Timing and Clock Timing Adjustments.....	5-7
Group Delay Adjustment	5-10
Frequency Response Adjustment	5-13
Interchannel Delay Adjustment	5-17
Frequency Response Confirmation	5-20
Interchannel Delay Confirmation	5-21
AVG7 Analog Video Generator Maintenance	5-22
AVG7 Analog Video Generator Removal and Replacement.....	5-23
Tools Required	5-23
Replacing the Rear-Panel Connectors and Chassis	5-23
AVG7 Analog Video Generator Troubleshooting.....	5-25
Equipment Required.....	5-25
Backing up the Instrument Settings.....	5-25
Troubleshooting Trees.....	5-26

AVG7 Analog Video Generator Diagram	5-28
AVG7 Analog Video Generator Replaceable Parts List	5-29

AWVG7 Analog Wideband Video Generator

AWVG7 Analog Wideband Video Generator Theory of Operation	6-1
AWVG7 Analog Wideband Video Generator Adjustment Procedures	6-3
Requirements for Adjustment	6-3
Equipment Required	6-3
Output Offset and Gain Adjustment	6-4
Frame Timing and Clock Timing Adjustments	6-7
Frequency Response Adjustment	6-10
AWVG7 Analog Wideband Video Generator Maintenance	6-14
AWVG7 Analog Wideband Video Generator Removal and Replacement	6-15
Tools Required	6-15
Replacing the Rear-Panel Connectors and Chassis	6-15
AWVG7 Analog Wideband Video Generator Troubleshooting	6-17
Equipment Required	6-17
Backing up the Instrument Settings	6-17
Troubleshooting Trees	6-18
AWVG7 Analog Wideband Video Generator Diagram	6-20
AWVG7 Analog Wideband Video Generator Replaceable Parts List	6-21

BG7 Black Generator

BG7 Black Generator Theory of Operation	7-1
BG7 Black Generator Adjustment Procedures	7-2
Requirements for Adjustment	7-2
Equipment Required	7-2
Output Offset and Gain Adjustment	7-3
Luminance Gain Adjustment (Option CB Only)	7-5
BG7 Black Generator Maintenance	7-8
BG7 Black Generator Removal and Replacement	7-9
Tools Required	7-9
Replacing the Rear-Panel Connectors and Chassis	7-9
BG7 Black Generator Troubleshooting	7-11
Equipment Required	7-11
Backing up the Instrument Settings	7-11
Troubleshooting Trees	7-12

BG7 Black Generator Diagram	7-14
BG7 Black Generator Replaceable Parts List	7-15

DVG7 Digital Video Generator

DVG7 Digital Video Generator Theory of Operation	8-1
DVG7 Digital Video Generator Adjustment Procedures	8-3
Requirements for Adjustment	8-3
Equipment Required.....	8-3
Output Level Adjustment	8-3
DVG7 Digital Video Generator Maintenance	8-7
DVG7 Digital Video Generator Removal and Replacement.....	8-8
Tools Required	8-8
Replacing the Rear-Panel Connectors and Chassis	8-8
DVG7 Digital Video Generator Troubleshooting	8-10
Equipment Required.....	8-10
Backing up the Instrument Settings.....	8-10
Troubleshooting Trees.....	8-11
DVG7 Digital Video Generator Diagram	8-13
DVG7 Digital Video Generator Replaceable Parts List	8-14

GPS7 GPS Synchronization and Timecode Module

GPS7 GPS Synchronization and Timecode Generator Theory of Operation	9-1
GPS7 GPS Synchronization and Timecode Generator Adjustment Procedures	9-4
Requirements for Adjustment	9-4
Equipment Required.....	9-4
GPS7 Black Burst Adjustments	9-4
Mainframe Oscillator Adjustments	9-6
GPS7 GPS Synchronization and Timecode Generator Maintenance	9-9
GPS7 GPS Synchronization and Timecode Generator Removal and Replacement	9-9
GPS7 Troubleshooting	9-12
GPS7 GPS Synchronization and Timecode Generator Replaceable Parts List	9-24

HDLG7 HD Dual Link Video Generator

HDLG7 HD Dual Link Video Generator Theory of Operation.....	10-1
HDLG7 HD Dual Link Video Generator Maintenance	10-3
HDLG7 HD Dual Link Video Generator Removal and Replacement	10-4
Tools Required	10-4
Replacing the Rear-Panel Connectors and Chassis	10-4

HDLG7 HD Dual Link Video Generator Troubleshooting	10-6
Equipment Required.....	10-6
Backing up the Instrument Settings.....	10-6
Troubleshooting Trees.....	10-7
HDLG7 HD Dual Link Video Generator Diagram	10-9
HDLG7 HD Dual Link Video Generator Replaceable Parts List	10-10

HDVG7 HDTV Digital Video Generator

HDVG7 HDTV Digital Video Generator Theory of Operation	11-1
HDVG7 HDTV Digital Video Generator Adjustment Procedures.....	11-3
Requirements for Adjustment	11-3
Equipment Required.....	11-3
Output Level Adjustment	11-3
HDVG7 HDTV Digital Video Generator Maintenance	11-7
HDVG7 HDTV Digital Video Generator Removal and Replacement.....	11-8
Tools Required	11-8
Replacing the Rear-Panel Connectors and Chassis	11-8
HDVG7 HDTV Digital Video Generator Troubleshooting.....	11-10
Equipment Required.....	11-10
Backing up the Instrument Settings.....	11-10
Troubleshooting Trees.....	11-11
HDVG7 HDTV Digital Video Generator Diagram	11-13
HDVG7 HDTV Digital Video Generator Replaceable Parts List	11-14

List of Figures

Figure 1-1: Equipment connection for adjusting master clock frequency.....	1-4
Figure 1-2: TG700 orientation	1-12
Figure 1-3: External modules	1-13
Figure 1-4: Internal modules	1-14
Figure 1-5: Top cover removal.....	1-16
Figure 1-6: Front-panel unit removal	1-18
Figure 1-7: Disassembly of front-panel assembly	1-19
Figure 1-8: A10 Main board removal	1-21
Figure 1-9: A40 LAN board, fan, and RFI filter removal.....	1-23
Figure 1-10: Troubleshooting procedure (1)	1-25
Figure 1-11: Troubleshooting procedure (2).....	1-26
Figure 1-12: A10 Main board (view from top).....	1-27
Figure 1-13: TG700 Block diagram.....	1-29
Figure 1-14: TG700 Interconnect diagram	1-30
Figure 1-15: Main chassis	1-33
Figure 1-16: Main frame.....	1-35
Figure 1-17: Front-panel unit	1-37
Figure 1-18: Power supply module.....	1-39
Figure 1-19: Blank panel	1-40
Figure 2-1: Simplified block diagram of the AG7 Generator module	2-1
Figure 2-2: Troubleshooting procedure (1).....	2-6
Figure 2-3: Troubleshooting procedure (2).....	2-7
Figure 2-4: AG7 Generator module connections	2-8
Figure 2-5: AG7 Generator module exploded view	2-10
Figure 3-1: Simplified block diagram of the AGL7 Genlock module	3-2
Figure 3-2: AGL7 circuit board view	3-4
Figure 3-3: Equipment connection for adjusting the output offset and gain	3-5
Figure 3-4: Timing relationship between CH1 and CH2 signals.....	3-9
Figure 3-5: Troubleshooting procedure (1).....	3-15
Figure 3-6: Troubleshooting procedure (2).....	3-16
Figure 3-7: AGL7 Genlock module connections	3-17
Figure 3-8: AGL7 Genlock module exploded view	3-19
Figure 4-1: Simplified block diagram of the ATG7 Generator module.....	4-1
Figure 4-2: Troubleshooting procedure (1).....	4-6
Figure 4-3: Troubleshooting procedure (2).....	4-7
Figure 4-4: ATG7 Generator module connections.....	4-8
Figure 4-5: ATG7 Generator module exploded view.....	4-10
Figure 5-1: Simplified block diagram of the AVG7 Generator module	5-2
Figure 5-2: Location of the variable resistors for the output offset and gain adjustment.....	5-5

Figure 5-3: Equipment connection for adjusting the output offset and gain	5-5
Figure 5-4: Location of the test points for the frame timing and clock timing adjustment.....	5-8
Figure 5-5: Location of the variable resistors and capacitors for the group delay adjustment	5-10
Figure 5-6: Equipment connection for adjusting the group delay	5-11
Figure 5-7: Adjusting the baseline of the modulated 20T pulse signal.....	5-12
Figure 5-8: Location of the variable resistors and capacitors for the frequency response adjustment	5-13
Figure 5-9: Equipment connection for adjusting the frequency response	5-14
Figure 5-10: Adjusting the signal amplitudes	5-16
Figure 5-11: Location of the variable capacitors for the interchannel delay adjustment	5-17
Figure 5-12: Equipment connection for adjusting the interchannel delay.....	5-18
Figure 5-13: Troubleshooting procedure (1)	5-26
Figure 5-14: Troubleshooting procedure (2)	5-27
Figure 5-15: AVG7 Generator module connections	5-28
Figure 5-16: AVG7 Generator module exploded view	5-30
Figure 6-1: Simplified block diagram of the AWVG7 Generator module	6-2
Figure 6-2: Location of the variable resistors for the output offset and gain adjustment.....	6-5
Figure 6-3: Equipment connection for adjusting the output offset and gain	6-5
Figure 6-4: Location of the test points for the frame timing and clock timing adjustment.....	6-8
Figure 6-5: Location of the variable capacitors for the frequency response adjustment.....	6-10
Figure 6-6: Equipment connection for adjusting the frequency response	6-11
Figure 6-7: Minimizing the amplitude changes	6-12
Figure 6-8: Troubleshooting procedure (1).....	6-18
Figure 6-9: Troubleshooting procedure (2).....	6-19
Figure 6-10: AWVG7 Generator module connections	6-20
Figure 6-11: AWVG7 Generator module exploded view	6-22
Figure 7-1: Simplified block diagram of the BG7 Generator module	7-1
Figure 7-2: BG7 circuit board view	7-3
Figure 7-3: Equipment connection for adjusting the output offset and gain	7-4
Figure 7-4: Equipment connection for adjusting luminance gain	7-6
Figure 7-5: Troubleshooting procedure (1).....	7-12
Figure 7-6: Troubleshooting procedure (2).....	7-13
Figure 7-7: BG7 Generator module connections	7-14
Figure 7-8: BG7 Generator module exploded view	7-16
Figure 8-1: Simplified block diagram of the DVG7 Generator module	8-2
Figure 8-2: DVG7 circuit board view	8-4
Figure 8-3: Equipment connection for adjusting the output level.....	8-5
Figure 8-4: Troubleshooting procedure (1).....	8-11
Figure 8-5: Troubleshooting procedure (2).....	8-12
Figure 8-6: DVG7 Generator module connections	8-13
Figure 8-7: DVG7 Generator module exploded view	8-15
Figure 9-1: Simplified block diagram of the GPS7 Generator module.....	9-3

Figure 9-2: Equipment connections for GPS7 adjustments.....	9-5
Figure 9-3: GPS7 power supply test	9-17
Figure 9-4: GPS7 voltage test point and fuse locations	9-19
Figure 9-5: GPS7 replaceable parts	9-25
Figure 10-1: Simplified block diagram of the HDLG7 module	10-2
Figure 10-2: Troubleshooting procedure (1)	10-7
Figure 10-3: Troubleshooting procedure (2)	10-8
Figure 10-4: HDLG7 module connections	10-9
Figure 10-5: HDLG7 module exploded view	10-11
Figure 11-1: Simplified block diagram of the HDVG7 Generator module	11-2
Figure 11-2: HDVG7 circuit board view	11-4
Figure 11-3: Equipment connection for adjusting the output level	11-5
Figure 11-4: Troubleshooting procedure (1).....	11-11
Figure 11-5: Troubleshooting procedure (2).....	11-12
Figure 11-6: HDVG7 Generator module connections.....	11-13
Figure 11-7: HDVG7 Generator module exploded view.....	11-15

List of Tables

Table 1-1: Equipment required for TG700 adjustment procedures	1-3
Table 1-2: External inspection check list	1-7
Table 1-3: Internal inspection check list	1-8
Table 1-4: Summary of procedures.....	1-11
Table 1-5: Tools required for module removal	1-11
Table 1-6: Parts list column descriptions	1-32
Table 1-7: Main Chassis – replaceable parts	1-33
Table 1-8: Main frame – replaceable parts	1-34
Table 1-9: Front-panel Unit – replaceable parts.....	1-36
Table 1-10: Power Supply module – replaceable parts.....	1-38
Table 1-11: Blank panel – replaceable parts.....	1-40
Table 1-12: Standard and optional accessories for TG700 Mainframe.....	1-40
Table 2-1: Required tools for removal and replacement of AG7 Audio Generator	2-3
Table 2-2: Equipment required for AG7 Audio Generator troubleshooting	2-5
Table 2-3: AG7 Generator module – replaceable parts.....	2-9
Table 3-1: Equipment required for AGL7 adjustment procedures	3-3
Table 3-2: Required tools for removal and replacement of AGL7 Analog Genlock module	3-12
Table 3-3: Equipment required for AGL7 Analog Genlock module troubleshooting	3-14
Table 3-4: AGL7 Analog Generator module – replaceable parts	3-18
Table 4-1: Required tools for removal and replacement of ATG7 Test Generator	4-3
Table 4-2: Equipment required for ATG7 Test Generator troubleshooting	4-5
Table 4-3: ATG Analog Test Generator – replaceable parts	4-9
Table 5-1: Equipment required AVG7 Analog Video Generator adjustment procedures.....	5-4
Table 5-2: Required tools for removal and replacement of AVG7 Analog Video Generator	5-23
Table 5-3: Equipment required for AVG7 Analog Video generator troubleshooting	5-25
Table 5-4: AVG7 Analog Video Generator – replaceable parts	5-29
Table 6-1: Equipment required for AWVG7 Analog Wideband Video Generator adjustment procedures	6-4
Table 6-2: Required tools for removal and replacement of AWVG7 Analog Wideband Video Generator	6-15
Table 6-3: Equipment required for AWVG7 Analog Wideband Video Generator troubleshooting ...	6-17
Table 6-4: AWVG7 Analog Wideband Video Generator – replaceable parts.....	6-21
Table 7-1: Equipment required for BG7 Black Generator adjustment procedures	7-2
Table 7-2: Required tools for removal and replacement of BG7 Black Generator.....	7-9
Table 7-3: Equipment required for BG7 Black Generator troubleshooting	7-11
Table 7-4: BG7 Black Generator – replaceable parts.....	7-15
Table 8-1: Equipment required for DVG7 Digital Video Generator adjustment procedures.....	8-3
Table 8-2: Required tools for removal and replacement of DVG7 Digital Video Generator	8-8

Table 8-3: Equipment required for DVG7 Digital Video Generator troubleshooting.....	8-10
Table 8-4: DVG7 Digital Video Generator – replaceable parts	8-14
Table 9-1: Equipment required for GPS7 GPS Synchronization and Timecode Generator Adjustment procedures	9-4
Table 9-2: Required tools for GPS7 removal and replacement.....	9-9
Table 9-3: Equipment required for GPS7 GPS Synchronization and Timecode Generator troubleshooting.....	9-12
Table 9-4: GPS7 Troubleshooting	9-13
Table 9-5: POST Error codes	9-14
Table 9-6: Power supply test points	9-18
Table 9-7: GPS7 Synchronization and Timecode Generator — replaceable parts	9-24
Table 10-1: Required tools for removal and replacement of HDLG7 HD Dual Link Video Generator	10-4
Table 10-2: Equipment required for HDLG7 HD Dual Link Video Generator troubleshooting.....	10-6
Table 10-3: HDLG7 HD Dual Link Video Generator – replaceable parts	10-10
Table 11-1: Equipment required for HDVG7 HDTV Digital Video Generator adjustment procedures	11-3
Table 11-2: Required tools for removal and replacement of HDVG7 HDTV Digital Video Generator	11-8
Table 11-3: Equipment required for HDVG7 HDTV Digital Video Generator troubleshooting	11-10
Table 11-4: HDVG7 HDTV Digital Video Generator – replaceable parts	11-14

General Safety Summary

Review the following safety precautions to avoid injury and prevent damage to this product or any products connected to it.

To avoid potential hazards, use this product only as specified.

Only qualified personnel should perform service procedures.

To Avoid Fire or Personal Injury

Use Proper Power Cord. Use only the power cord specified for this product and certified for the country of use.

Ground the Product. This product is grounded through the grounding conductor of the power cord. To avoid electric shock, the grounding conductor must be connected to earth ground. Before making connections to the input or output terminals of the product, ensure that the product is properly grounded.

Observe All Terminal Ratings. To avoid fire or shock hazard, observe all ratings and markings on the product. Consult the product manual for further ratings information before making connections to the product.

Power Disconnect. The power cord disconnects the product from the power source. Do not block the power cord; it must remain accessible to the user at all times.

Do Not Operate Without Covers. Do not operate this product with covers or panels removed.

Do Not Operate With Suspected Failures. If you suspect that there is damage to this product, have it inspected by qualified service personnel.

Avoid Exposed Circuitry. Do not touch exposed connections and components when power is present.

Do Not Operate in Wet/Damp Conditions.

Do Not Operate in an Explosive Atmosphere.

Keep Product Surfaces Clean and Dry.

Provide Proper Ventilation. Refer to the manual's installation instructions for details on installing the product so it has proper ventilation.

Terms in this Manual These terms may appear in this manual:



WARNING. *Warning statements identify conditions or practices that could result in injury or loss of life.*



CAUTION. *Caution statements identify conditions or practices that could result in damage to this product or other property.*

Symbols and Terms on the Product

These terms may appear on the product:

- DANGER indicates an injury hazard immediately accessible as you read the marking.
- WARNING indicates an injury hazard not immediately accessible as you read the marking.
- CAUTION indicates a hazard to property including the product.

The following symbol(s) may appear on the product:



CAUTION
Refer to Manual



WARNING
High Voltage



Double
Insulated



Protective Ground
(Earth) Terminal

Service Safety Summary

Only qualified personnel should perform service procedures. Read this *Service Safety Summary* and the *General Safety Summary* before performing any service procedures.

Do Not Service Alone. Do not perform internal service or adjustments of this product unless another person capable of rendering first aid and resuscitation is present.

Disconnect Power. To avoid electric shock, switch off the instrument power, then disconnect the power cord from the mains power.

Use Care When Servicing With Power On. Dangerous voltages or currents may exist in this product. Disconnect power, remove battery (if applicable), and disconnect test leads before removing protective panels, soldering, or replacing components.

To avoid electric shock, do not touch exposed connections.

Preface

This is the service manual for the TG700 TV Signal Generator Platform and associated modules. This manual contains information needed to service a TG700 and its modules to the module level.

Manual Structure

This manual is divided into sections, such as *Theory of Operation*. Further, some sections are divided into subsections, such as *Product Description* and *Removal and Installation Procedures*.

Sections containing procedures also contain introductions to those procedures. Be sure to read these introductions because they provide information needed to do the service correctly and efficiently. The following are brief descriptions of each manual section.

- *Theory of Operation* contains circuit descriptions that support service to the module level.
- *Adjustment Procedures* contains procedures for adjusting a TG700 to meet warranted characteristics.
- *Maintenance* contains information and procedures for performing preventive and corrective maintenance for a TG700. These instructions include cleaning, module removal and installation, and fault isolation to the module level.
- *Options* contains a description of available options for the TG700.
- *Diagrams* contains a block diagram and an interconnect diagram.
- *Replaceable Parts List* includes a table of all replaceable modules, their descriptions, and their Tektronix part numbers.

Manual Conventions

This manual uses certain conventions with which you should become familiar.

Some sections of the manual contain procedures for you to perform. To keep those instructions clear and consistent, this manual uses the following conventions:

- Names of front panel controls and menus appear in the same case (initial capitals, all uppercase, etc.) in the manual as is used on the TG700 front panel and menus.
- Instruction steps are numbered unless there is only one step.

- **Bold** text refers to specific interface elements that you are instructed to select, click, or clear.

Example: Press the **ENTER** button to access the PRESET submenu.

- *Italic* text refers to document names or sections. Italics are also used in NOTES, CAUTIONS, and WARNINGS.

Example: The *Diagrams* section, includes a block diagram and an interconnect diagram.

Modules Throughout this manual, any replaceable component, assembly, or part of the TG700 is referred to generically as a module. In general, a module is an assembly (like a circuit board), rather than a component (like a resistor or an integrated circuit). Sometimes a single component is a module. For example, the chassis of the TG700 is a module.

Safety Symbols and terms related to safety appear in the *General Safety Summary*

Finding Other Information

Other documentation for the TG700 includes:

- The *TG700 TV Signal Generator Platform User Manual* (Tektronix part number 071-1970-XX) contains a tutorial to quickly describe how to operate the TG700. It also includes an in-depth discussion on how to more completely use the TG700 features.

Introduction

This manual contains information needed to properly service the TG700 TV Signal Generator Platform, as well as general information critical to safe and effective servicing.

To prevent personal injury or damage to the TG700, consider the following before attempting service:

- The procedures in this manual should be performed only by a qualified service person.
- Read the *General Safety Summary* and the *Service Safety Summary*. (See page xii.)(See page xiv.)

When using this manual for servicing be sure to follow all warnings, cautions, and notes.

Performance Check Interval

Generally, the performance check described in the *Specifications and Performance Verification* manual, should be done every 12 months. In addition, a performance check is recommended after module replacement. The *Specifications and Performance Verification* manual is available on the Web, at www.tektronix.com.

If the TG700 does not meet performance criteria, repair is necessary.

Strategy for Servicing

Throughout this manual, the term "module" refers to any field-replaceable component, assembly, or part of the TG700.

This manual contains all the information needed for periodic maintenance of the TG700 (examples of such information are procedures for checking performance).

Further, the manual contains all information for corrective maintenance down to the module level. To isolate a failure to a module, use the fault isolation procedures found in *Troubleshooting*, part of section 5, *Maintenance*. To remove and replace any failed module, follow the instructions in *Removal and Installation Procedures*, also part of section 5. After isolating a faulty module, replace it with a fully-tested module obtained from the factory. The, *Replaceable Parts List*, contains part number and ordering information for all replaceable modules.

Tektronix Service Offerings

Tektronix provides service to cover repair under warranty as well as other services that may provide a cost-effective answer to your service needs.

Whether providing warranty repair service or any of the other services listed below, Tektronix service technicians are well trained to service the TG700. They have access to the latest information on improvements to the TG700 as well as the latest new options.

Warranty Repair Service

Tektronix warrants this product for one year from date of purchase. The warranty appears after the title page in this manual. Tektronix technicians provide warranty service at most Tektronix service locations. The Tektronix product catalog lists all worldwide service locations or you can visit our Web site for service information: www.tektronix.com.

Self Service

Tektronix supports repair to the module level by providing Module Exchange.

Module Exchange. This service reduces downtime for repair by allowing you to exchange most modules for remanufactured ones. Each module comes with a 90-day service warranty.

For More Information. Contact your local Tektronix service center or sales engineer for more information on any of the repair or adjustment services just described.

Maintenance for Generators and Modules

The following information applies to all of the generators and modules that can be used with the TG700 mainframe. Before doing maintenance procedures on any module, read the following information.

Preparation

Read and follow these preparation instructions before attempting to perform any maintenance or service to the instrument.

Servicing Prerequisites

Ensure the following before beginning any instrument service:

- The maintenance or service of this instrument must be performed by qualified service personnel only.
- Read the *Service Safety Summary* located at the beginning of this manual before attempting to perform any maintenance or service to the instrument.

This section contains instructions and procedures for maintaining the AG7 Generator module.

The following information can be found in this section:

- Preparation (See page xix.)
- Inspection and Cleaning (preventive maintenance) (See page xx.)
- Repackaging Instructions (See page xxi.)
- Removal and Replacement (See page 2-3.)
- Troubleshooting (See page 1-24.)

If the instrument does not function properly, troubleshooting and corrective measures should be taken immediately to prevent additional problems.

NOTE. *Contact your local Tektronix representative for information on where to return your instrument if it requires repair during the warranty period.*

Electrostatic Damage Prevention

This instrument contains electrical components that are susceptible to damage from electrostatic discharge. Static voltages of 1 kV to 30 kV are common in unprotected environments.



CAUTION. *Static discharge can damage any semiconductor component in this instrument.*

Observe the following precautions to avoid static damage:

- Minimize handling of static-sensitive components.
- Transport and store static-sensitive components or assemblies in their original containers, on a metal rail, or on conductive foam. Label any package that contains static-sensitive assemblies or components.
- Discharge the static voltage from your body by wearing a wrist strap while handling these components. Servicing static-sensitive assemblies or components should only be performed at a static-free workstation by qualified personnel.
- Nothing capable of generating or holding a static charge should be allowed on the workstation surface.
- Keep the component leads shorted together whenever possible.
- Pick up components by the body, never by the leads.
- Do not slide the components over any surface.
- Avoid handling components in areas that have a floor or work surface covering capable of generating a static charge.
- Use a soldering iron that is connected to earth ground.
- Use only special antistatic, suction-type or wick-type desoldering tools.

NOTE. *A 2% RMA flux content solder is recommended for making repairs in this instrument. Cleaning of rosin residue is not recommended. Most cleaning solvents tend to reactivate the rosin and spread it under components where it may cause corrosion under humid conditions. The rosin residue, if left alone, does not exhibit these corrosive properties.*

Inspection and Cleaning

Preventive maintenance consists of cleaning, visual inspection, performance verification, and, if needed, readjustment. The preventive maintenance schedule established for the instrument should be based on the environment in which it is operated and the amount of use. Under average conditions, scheduled preventive maintenance should be performed every 2000 hours of operation.

General Care

Protect the module from adverse weather conditions. The module is not waterproof.



CAUTION. To avoid damage to this module, do not expose it to sprays, liquids, or solvents. Do not flex the circuit board if you remove the board from its mounting shield. The circuit board can be damaged by flexing. The shield provides necessary structural support to the circuit board.

Inspecting and Cleaning Procedures

Clean the mainframe and modules often enough to prevent dust or dirt from accumulating. Refer to *Inspecting and Cleaning Procedures*.

Performance Verification

Check module performance after each 2000 hours of operation or every 12 months. This will help to ensure maximum performance and assist in locating defects that may not be apparent during regular operation. Performance verification procedures can be found in the *TG700 Signal Generator Platform Specifications and Performance Verification Technical Reference*.

Repackaging Instructions

Use the following instructions to prepare your instrument for shipment to a Tektronix, Inc., Service Center:

1. Attach a tag to the instrument showing: the owner, complete address and phone number of someone at your firm who can be contacted, the instrument serial number, and a description of the required service.
2. Package the instrument in the original packaging materials. If the original packaging materials are not available, follow these directions:
 - a. Obtain a carton of corrugated cardboard having inside dimensions six or more inches greater than the dimensions of the instrument. Use a shipping carton that has a test strength of at least 250 pounds (113.5 kg).
 - b. Surround the module with a protective (anti-static) bag.
 - c. Pack dunnage or urethane form between the instrument and the carton. If using Styrofoam kernels, overfill the box and compress the kernels by closing the lid. There should be three inches of tightly packed cushioning on all sides of the instrument.
3. Seal the carton with shipping tape, industrial stapler, or both.

TG700 Platform

TG700 Mainframe Theory of Operation

This section describes the basic operation of the major circuit blocks or modules in the TG700. The Diagrams section, includes a block diagram and an interconnect diagram. (See page 1-28.) A diagram shows the modules and functional blocks of the TG700. (See Figure 1-13.)

Another diagram shows how the modules interconnect. (See Figure 1-14.)

A10 Main Board

The A10 Main board consists of the following seven blocks.

CPU & Memory	This block consists of CPU, 32 MB flash memory, and 16 MB RAM. The CPU controls the front panel, LCD display, and installed modules. It also controls execution of remote commands and downloading and uploading of signal files through the Ethernet interface. The flash memory holds the firmware data and signal data output from modules. For the Option FP another 32 MB flash memory is added, to hold frame picture data.
D/A Converter	The block converts the digital data received from the AGL7 Analog Genlock module to analog voltage.
Oscillator	This block generates four clock signals and supplies them to the installed modules: a 54 MHz master clock signal, a 14.43 MHz clock signal for D2, a 74.25 MHz or a 74.25/1.001 MHz clock signals for HD, and a 12.288 MHz clock signal for Audio. The master clock signal is generated from the 13.5 MHz OCXO with high accuracy. The frequency is controlled by the 16 bit D/A converter.
Frame Pulse Generator	This block generates three frame pulses used for multi format signal generation.
Module I/F	This block provides the interface between the TG700 and the installed modules. It provides CPU related signals such as data bus and address bus, clock signals, power, and other control signals to the modules.
DC/DC Converter	This block converts the +5 V power, supplied by the Power Supply module, to -5 V, 3.3 V, 8 V, and 12 V.
Network Interface	This block controls the Ethernet interface. The TG700 has a 10 BASE-T port on the rear panel.

Power Supply Module

The Power Supply module derives the +5 V power supply voltages from the AC line and supplies it to the A10 Main board.

TG700 Adjustment Procedures

This section contains information needed to adjust the TG700.

The only adjustment in the TG700 is for the master clock frequency.

NOTE. *If your TG700 has a GPS7 GPS Synchronization and Timecode Generator module, you can use it to adjust the master clock frequency. This alternate procedure locks the master clock to a GPS signal. (See page 9-6.)*

Requirement for Adjustment

Before proceeding, note the following requirement.

Warm-Up Period

The TG700 requires a 20 minute warm-up time in a +20 °C to +30 °C environment before it is adjusted. Adjustment done before the operating temperature has stabilized may cause errors in performance. In addition, the signal generator requires appropriate warm-up time to meet the frequency accuracy.

Equipment Required

The following table lists the equipment required to adjust the master clock frequency.

Table 1-1: Equipment required for TG700 adjustment procedures

Item	No.	Minimum requirement	Recommended equipment
Analog genlock module	1		Tektronix AGL7
Signal generator	1	Frequency: 10 MHz \pm 0.05 ppm Amplitude: 8 dBm	Agilent 8648A option 1E5
75 Ω BNC cable	1	Length: 42 inches	Tektronix part number 012-0074-00
50 Ω -to-75 Ω minimum loss attenuator	1		Tektronix part number 011-0057-01

Master Clock Frequency Adjustment

Procedure Perform the following procedure to adjust the master clock frequency.

Initial Setup – Signal Generator:

Frequency	10.000000 MHz
Output Level	8 dBm

Procedure.

1. Use the 75 Ω BNC cable and the 50 Ω -to-75 Ω minimum loss attenuator to connect the CW connector on the AGL7 Genlock module to the output connector on the signal generator as shown in the following figure.

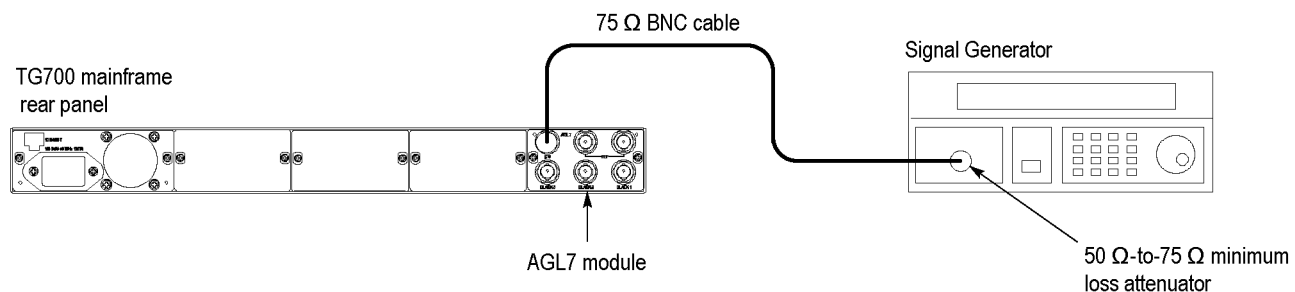


Figure 1-1: Equipment connection for adjusting master clock frequency

2. Press the **MODULE**, **FORMAT**, and **FRONT PANEL ENABLE** buttons simultaneously, and then release the **MODULE** and **FORMAT** buttons to restart the instrument in Factory mode.
3. Set the genlock source to CW of the AGL7 Genlock module as follows:
 - a. Press the **MODULE** button to display the AGL7 main menu.
 - b. Press the up (**▲**) or down (**▼**) arrow button to select **GENLOCK**, and then press the **ENTER** button to access the GENLOCK submenu.
 - c. Press the left (**◀**) or right (**▶**) arrow button to select **CW**, and then press the **ENTER** button.
 - d. Press the **CANCEL** button to return to the AGL7 main menu.
4. Press the **MODULE** button until the TG700 main menu is displayed.
5. Press the up (**▲**) or down (**▼**) arrow button to select **UTILITY**, and then press the **ENTER** button to access the UTILITY submenu.
6. Press the up (**▲**) or down (**▼**) arrow button to select **CALIBRATION**, and then press the **ENTER** button.
7. Verify that the message **CALIBRATION result = 0xxxxx** is displayed. This completes the master clock frequency adjustment procedures.

TG700 Mainframe Maintenance

This section contains the information needed to do periodic and corrective maintenance on the TG700. The following subsections are included:

- *Preparation* – Introduction plus general information on preventing damage to internal modules when doing maintenance.
- *Inspection and Cleaning* – Information and procedures for inspecting the TG700 and cleaning its external and internal modules.
- *Removal and Installation Procedures* – Procedures for the removal of defective modules and replacement of new or repaired modules.
- *Troubleshooting* – Information for isolating and troubleshooting failed modules. Included are instructions for operating the TG700's internal diagnostic routines and troubleshooting trees.

Related Maintenance Procedures

The following section contain information and procedures related to maintenance.

- *Theory of Operation* contains a circuit description at the module or block level.
- *Adjustment Procedures* addresses after repair adjustment and the interval between periodic adjustments. It contains a procedure for adjusting the master clock frequency of the TG700.
- *Diagrams* contains a block diagram using individual modules as blocks and an interconnect diagram showing connections between the modules.
- *Replaceable Parts List* lists all field replaceable modules by part number.

Preparation

Before servicing this product, read the *Safety Summary* and *Introduction* at the front of the manual and the ESD information below.



CAUTION. *Static discharge can damage any semiconductor component in the TG700.*

Preventing ESD

When performing any service which requires internal access to the TG700, adhere to the following precautions to avoid damaging internal modules and their components due to electrostatic discharge (ESD).

1. Minimize handling of static-sensitive modules.
2. Transport and store static-sensitive modules in their static protected containers or on a metal rail. Label any package that contains static-sensitive modules.
3. Discharge the static voltage from your body by wearing a grounded antistatic wrist strap while handling these modules. Do service of static-sensitive modules only at a static-free work station.
4. Nothing capable of generating or holding a static charge should be allowed on the work station surface.
5. Handle circuit boards by the edges when possible.
6. Do not slide the modules over any surface.
7. Avoid handling modules in areas that have a floor or work-surface covering capable of generating a static charge.

Inspection and Cleaning

Inspection and Cleaning describes how to inspect for dirt and damage. It also describes how to clean the exterior and interior of the TG700. Inspection and cleaning are done as preventive maintenance. Preventive maintenance, when done regularly, may prevent TG700 malfunction and enhance its reliability.

Preventive maintenance consists of visually inspecting and cleaning the TG700 and using general care when operating it.

How often preventative maintenance should be performed depends on the severity of the environment in which the TG700 is used. A proper time to perform preventive maintenance is just before TG700 adjustment.

General Care

The top cover helps keep dust out of the TG700, and is needed to meet EMI and cooling requirements. The top cover should be in place when operating the TG700.

Inspection and Cleaning Procedures

Inspect and clean the TG700 as often as operating conditions require. The collection of dirt on components inside can cause them to overheat and breakdown. (Dirt acts like an insulating blanket, preventing efficient heat dissipation.) Dirt also provides an electrical conduction path that could cause a TG700 failure, especially under high-humidity conditions.



CAUTION. *Avoid the use of chemical cleaning agents that might damage the plastics used in this TG700. Use only deionized water when cleaning the menu buttons or front-panel buttons. Use an ethyl alcohol solution as a cleaner and rinse with deionized water.*

Inspection – Exterior. Inspect the outside of the TG700 for damage, wear, and missing parts, using the following table as a guide. A TG700 that appears to have been dropped or otherwise abused should be checked thoroughly to verify correct operation and performance. Immediately repair defects that could cause personal injury or lead to further damage to the TG700.

Table 1-2: External inspection check list

Item	Inspect for	Repair action
Cabinet, front panel, and cover	Cracks, scratches, deformations, damaged hardware or gaskets.	Repair or replace defective module.
Front-panel buttons	Missing or damaged buttons.	Repair or replace missing or defective buttons.
Connectors	Broken shells, cracked insulation, and deformed contacts. Dirt in connectors.	Repair or replace defective modules. Clear or wash out dirt.
Accessories	Missing items or parts of items, bent pins, broken or frayed cables, and damaged connectors.	Repair or replace damaged or missing items, frayed cables, and defective modules.

Cleaning Procedure – Exterior. To clean the TG700 exterior, perform the following steps:

1. Remove loose dust on the outside of the TG700 with a lint free cloth.
2. Remove remaining dirt with a lint-free cloth dampened in a general purpose detergent-and-water solution. Do not use abrasive cleaners.
3. Clean the light filter protecting the monitor screen with a lint-free cloth dampened with a gentle, general purpose detergent-and-water solution.



CAUTION. To prevent getting moisture inside the TG700 during external cleaning, use only enough liquid to dampen the cloth or applicator.

Inspection – Interior. To access the inside of the TG700 for inspection and cleaning, refer to the *Removal and Installation Procedures* in this section.

Inspect the internal portions of the TG700 for damage and wear, using the table as a guide. Defects found should be repaired immediately.



CAUTION. To prevent damage from electrical arcing, ensure that circuit boards and components are dry before applying power to the TG700.

Table 1-3: Internal inspection check list

Item	Inspect for	Repair action
Circuit boards	Loose, broken, or corroded solder connections. Burned circuit boards. Burned, broken, or cracked circuit-run plating.	Remove failed module and replace with a fresh module.
Resistors	Burned, cracked, broken, blistered condition.	Remove failed module and replace with a fresh module.
Solder connections	Cold solder or rosin joints.	Resolder joint and clean with isopropyl alcohol.
Capacitors	Damaged or leaking cases. Corroded solder on leads or terminals.	Remove damaged module and replace with a fresh module from the factory.
Semiconductors	Loosely inserted in sockets. Distorted pins.	Firmly seat loose semiconductors. Remove devices that have distorted pins. Carefully straighten pins (as required to fit the socket), using long-nose pliers, and reinsert firmly. Ensure that straightening action does not crack pins, causing them to break off.
Wiring and cables	Loose plugs or connectors. Burned, broken, or frayed wiring.	Firmly seat connectors. Repair or replace modules with defective wires or cables.
Chassis	Dents, deformations, and damaged hardware.	Straighten, repair, or replace defective hardware.

Cleaning Procedure – Interior. To clean the TG700 interior, perform the following steps:

1. Blow off dust with dry, low-pressure, deionized air (approximately 9 psi).
2. Remove any remaining dust with a lint-free cloth dampened in ethyl alcohol and rinse with warm deionized water. (A cotton-tipped applicator is useful for cleaning in narrow spaces and on circuit boards.)

NOTE. *If, after performing steps 1 and 2, a module is clean upon inspection, skip the remaining steps.*

1. If steps 1 and 2 do not remove all the dust or dirt, the TG700 may be spray washed using a solution of ethyl alcohol by performing steps 4 through 8.
2. Gain access to the parts to be cleaned by removing easily accessible shields and panels (see *Removal and Installation Procedures*).
3. Spray wash dirty parts with the ethyl alcohol and wait 60 seconds for the majority of the alcohol to evaporate.
4. Use hot deionized water to thoroughly rinse them.
5. Dry all parts with low-pressure, deionized air.
6. Dry all components and assemblies in an oven or drying compartment using low-temperature circulating air.

Lubrication. There is no periodic lubrication required for the TG700.

TG700 Mainframe Removal and Installation Procedures

This subsection contains procedures for removal and installation of almost all mechanical and electrical modules. Any electrical or mechanical module, assembly, or part listed in the *Replaceable Parts List* section of this manual is a module.

Preparation



WARNING. Before performing this or any other procedure in this manual, read the *Safety Summary* found at the beginning of this manual. Also, to prevent possible damage to the TG700's components, read *Preventing ESD* in this section.

This subsection contains the following items:

- Preparatory information that you need to properly perform the procedures that follow.
- List of tools required to remove and disassemble all modules.
- Two module locator diagrams for finding the External modules and Internal modules in the TG700. (See Figure 1-3.)(See Figure 1-4.)
- Procedures for removal and reinstallation of the electrical and mechanical modules.
- A disassembly procedure for removal of all the major modules from the TG700 at one time and for reassembly of those modules into the TG700. Such a complete disassembly is normally only done when completely cleaning the TG700. (Instructions for doing the actual cleaning are found under *Inspection and Cleaning* at the beginning of this section.)
- Module disassembly procedures.



WARNING. Before performing any procedure in this subsection, disconnect the power cord from the line voltage source. Failure to do so could cause serious injury or death.

General Instructions

Read these general instructions before removing a module.

First read the *Summary of Procedures* that follows to understand how the procedures are grouped. Then read *Equipment Required* for a list of the tools needed to remove and install modules in the TG700.

If you are removing a module for service, begin by performing the *Access Procedure*. (See page 1-15.) By following the instructions in that procedure,

you remove the module to be serviced while removing the minimum number of additional modules.

Summary of Procedures

The procedures are described in the order in which they appear in this section. In addition, you can look up any procedure for removal and reinstallation of any module in the *Table of Contents*.

- The *Access Procedure* first directs you to the procedure(s) (if any) that are required to access the module to be serviced, then it directs you to the procedure to remove that module.

Table 1-4: Summary of procedures

Procedure	Module	Page
External Modules	<ul style="list-style-type: none"> • Line cord • Top cover • Front-panel unit • Front-panel assembly 	(See page 1-15.)
Internal Modules	<ul style="list-style-type: none"> • A 10 Main board • Power supply module 	(See page 1-20.)

Equipment Required. Most modules in this TG700 can be removed with a screwdriver handle mounted with a #2 Phillips tip. *Use this tool whenever a procedure step instructs you to remove or install a screw unless a different size screwdriver is specified in that step.* All equipment required to remove and reinstall each module is listed in the first step of its procedure.

Table 1-5: Tools required for module removal

Item No.	Name	Description
1	Screwdriver handle	Accepts Phillips-driver bits
2	#1 Phillips tip	Phillips-driver bit for #1 size screw heads
3	#2 Phillips tip	Phillips-driver bit for #2 size screw heads
4	7 mm Nut Driver	Socket or driver for 7 mm nuts

TG700 Orientation

In this manual, procedures refer to "front," "rear," "top," etc. of the TG700 . The following figure shows how the sides are referenced.

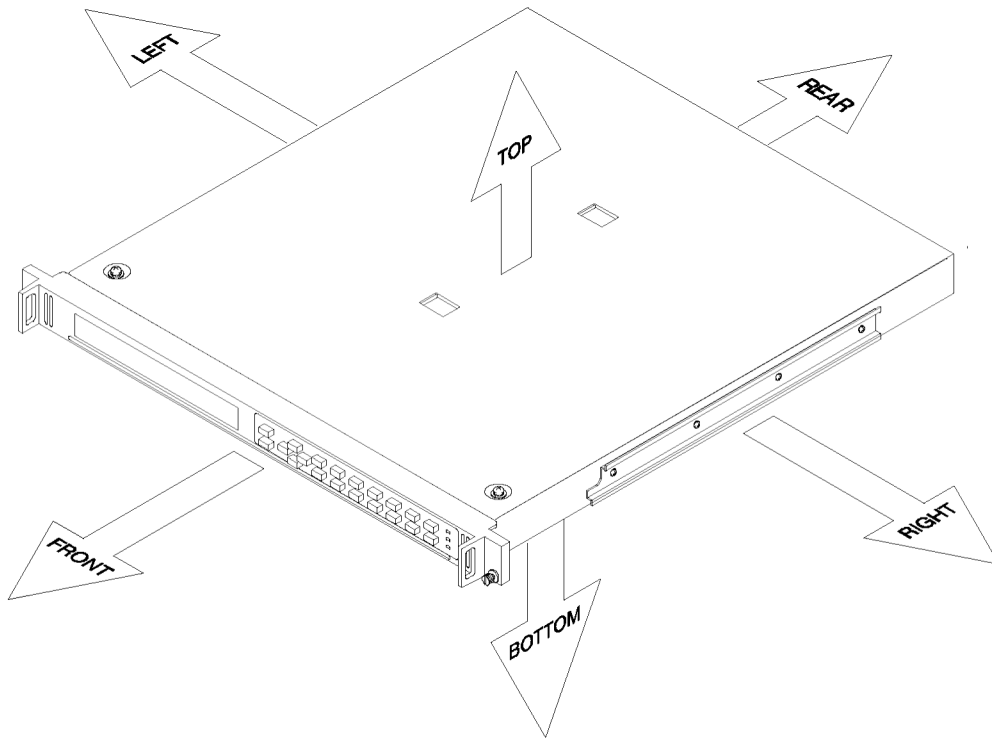


Figure 1-2: TG700 orientation

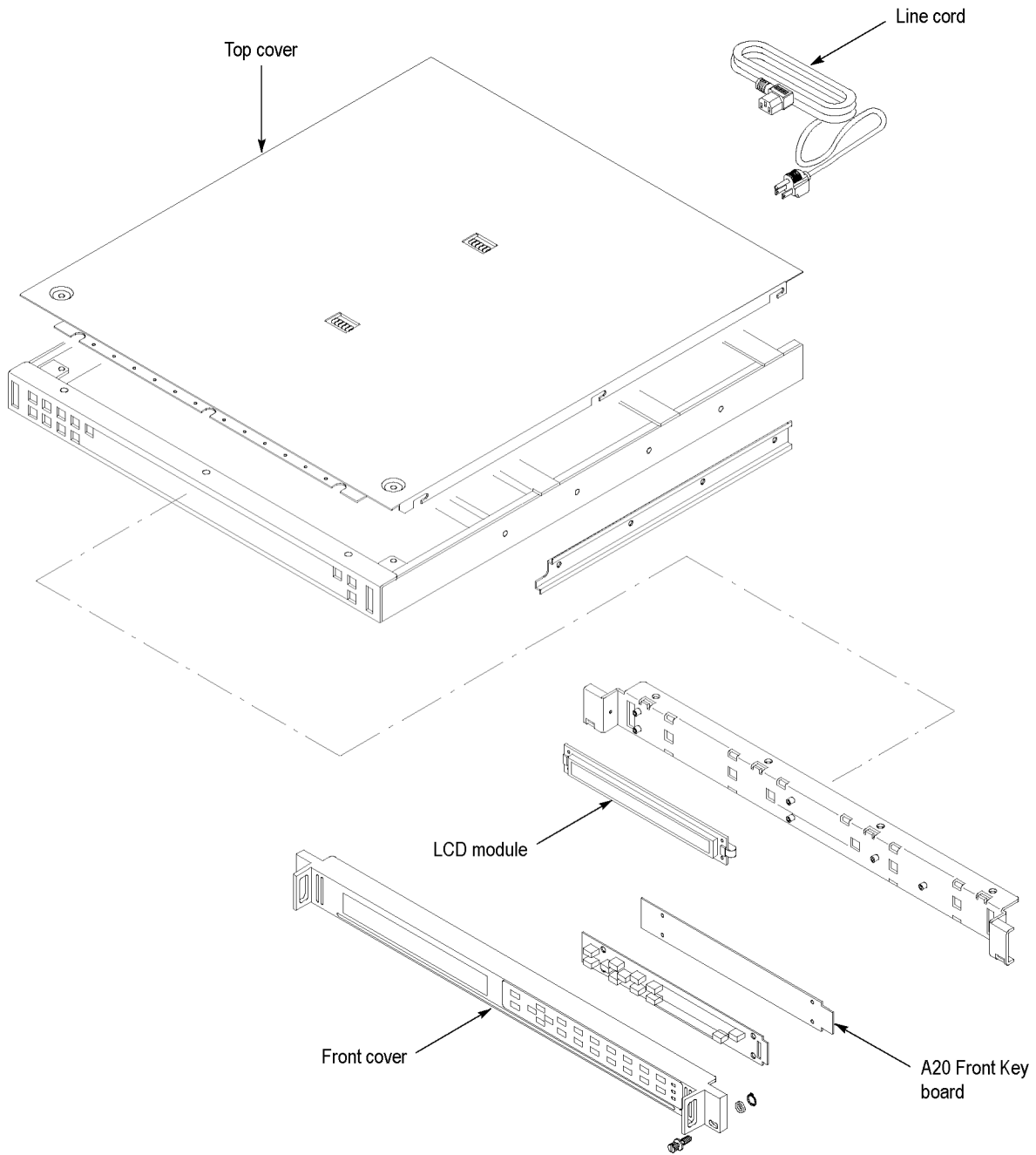


Figure 1-3: External modules

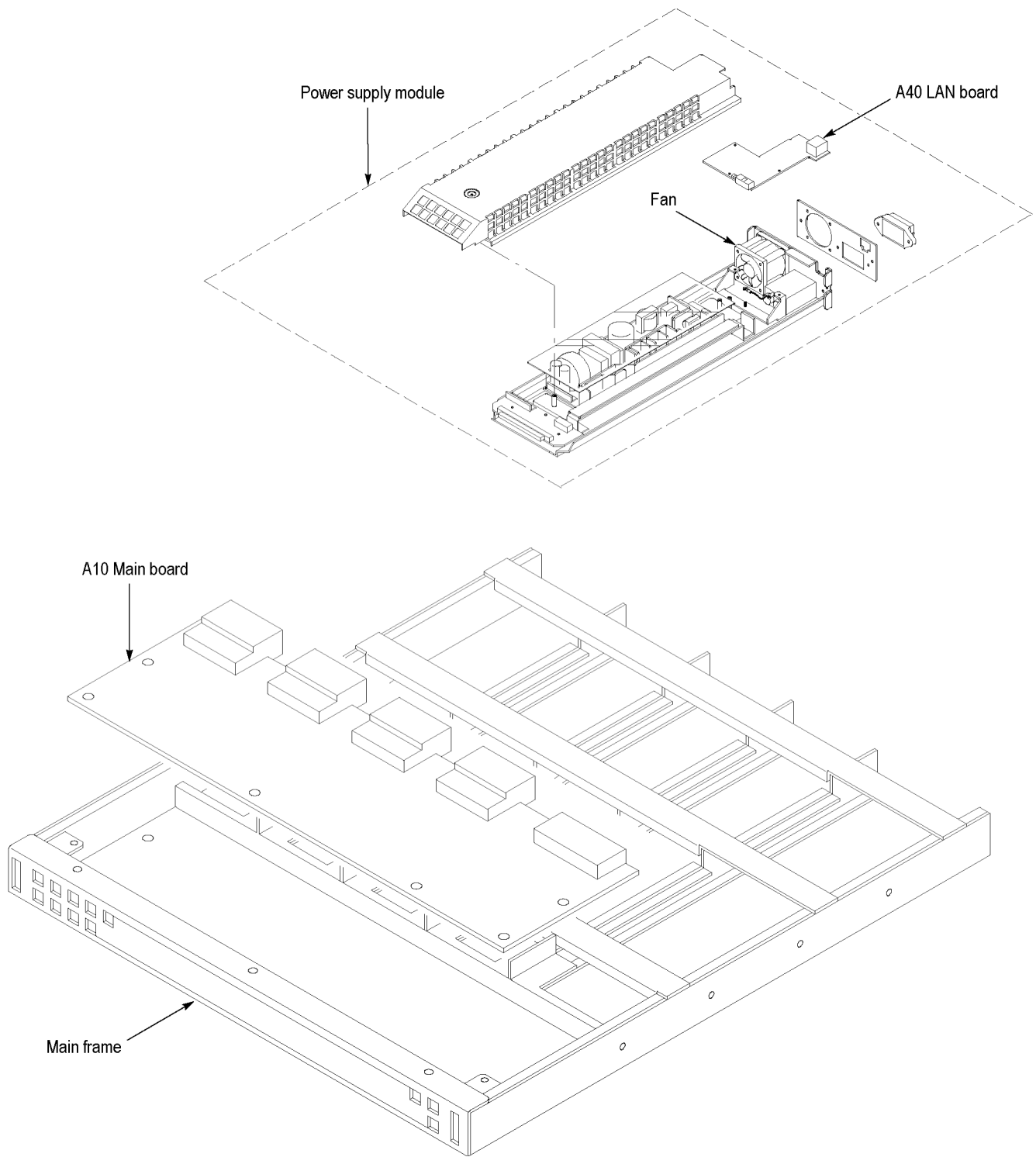


Figure 1-4: Internal modules

Access Procedure

When you have identified the module to be removed for service, read *General Instructions*. (See page 1-10.) Then use the following table to determine which procedures to use for removing the module. The removal procedures end with installation instructions.

If the module is shown in	Use this procedure
Figure 1-3, use these procedures:	Line cord (See page 1-15.) Top cover (See page 1-15.) Front-panel unit (See page 1-16.) Front-panel assembly (See page 1-18.)
Figure 1-4, first remove the Line Cord and Top Cover, and then use these procedures:	A10 Main board (See page 1-20.) Power supply module (See page 1-21.)

Procedures for External Modules

Do the *Access Procedure* before doing any procedure in this group. (See page 1-15.) This group contains the following procedures:

- *Line Cord*
- *Top Cover*
- *Front-Panel Unit*
- *Front-Panel Assembly*

- Line Cord**
1. *Assemble the equipment and locate the line cord:* You need no equipment. Locate the line cord in the location diagram External Modules. (See Figure 1-3.)
 2. *Orient the instrument:* Set the TG700 so its bottom is down on the work surface and its rear is facing you.
 3. *Remove the line cord:* Find the line cord on the rear panel. Grasp the plug and pull the line cord and clamp away to complete the removal. Reverse procedure to reinstall.

- Top Cover**
1. *Assemble equipment and locate modules to be removed:*
 - a. You need a screwdriver with a #2 Phillips tip (items 1 and 3).
 - b. Locate the modules to be removed in the locator diagram *External modules*. (See Figure 1-3.)
 2. *Orient the instrument:* Set the TG700 so its bottom is down on the work surface and its rear is facing you.

3. *Remove the top cover:*
 - a. Use a screwdriver with a #2 Phillips tip to remove the two screws securing the front of the top cover to the TG700.
 - b. Slide the top cover toward the rear and then lift it off the TG700. (See Figure 1-5.)
4. *Reinstall top cover:*
 - a. Perform step 3 in reverse order to reinstall the top cover.
 - b. Plug the line cord into its receptacle on the rear panel. This completes the TG700 reassembly.

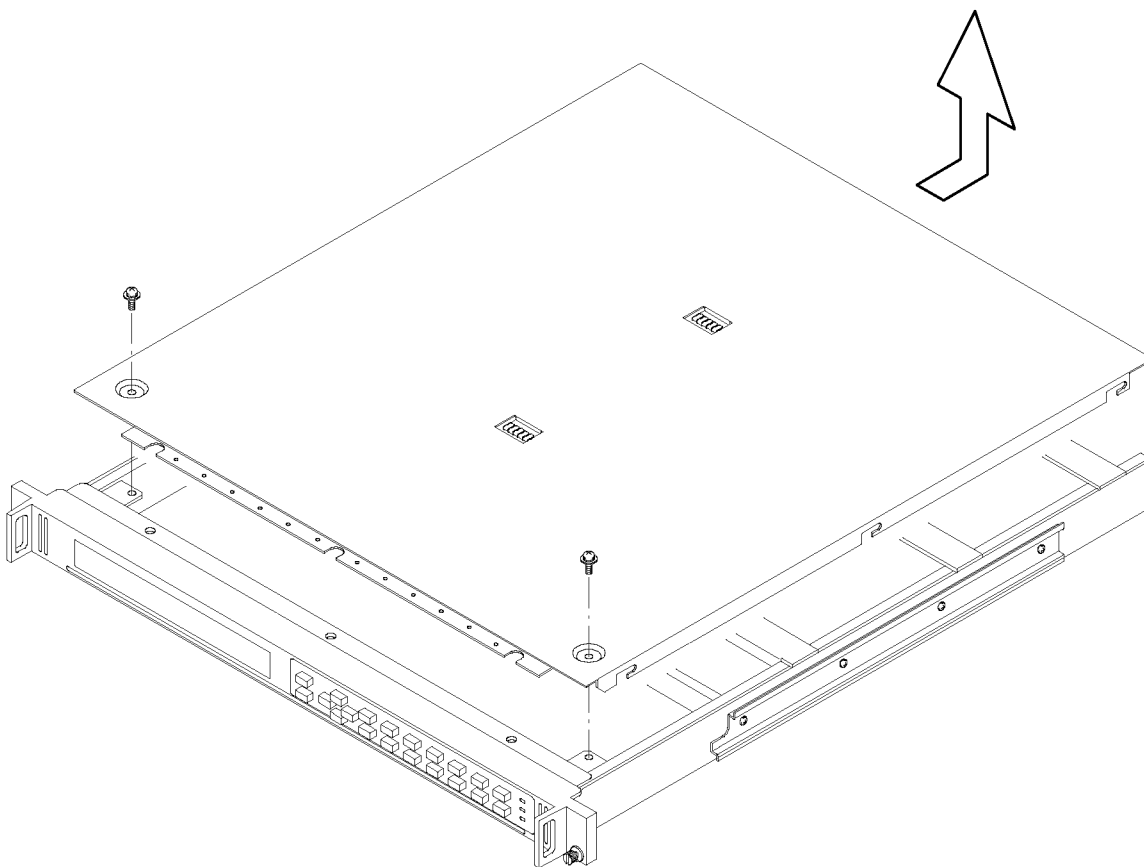


Figure 1-5: Top cover removal

- Front-Panel Unit**
1. *Assemble equipment and locate modules to be removed:*
 - a. You need a screwdriver with a #2 Phillips tip (items 1 and 3).
 - b. Locate the module to be removed in the locator diagram *External modules*. (See Figure 1-3.)

2. *Orient instrument:* Set the TG700 so its bottom is down on the work surface and its front is facing you.
3. *Remove front-panel unit:* (See Figure 1-6.)
 - a. Use a screwdriver with a #2 Phillips tip to remove the three screws securing the front-panel unit to the top of the chassis.
 - b. Set the TG700 so its top is down on the work surface and its front is facing you.
 - c. Use a screwdriver with a #2 Phillips tip to remove the four screws securing the front-panel unit to the bottom of the chassis.
 - d. Set the TG700 so its bottom is down on the work surface and its front is facing you.
 - e. Unplug the cables at J710, J720, and J725 on the A10 Main board.
 - f. Grasp the front-panel unit and pull it forward.
4. *Reinstallation:* Perform step 3 in reverse order to reinstall the front-panel unit.

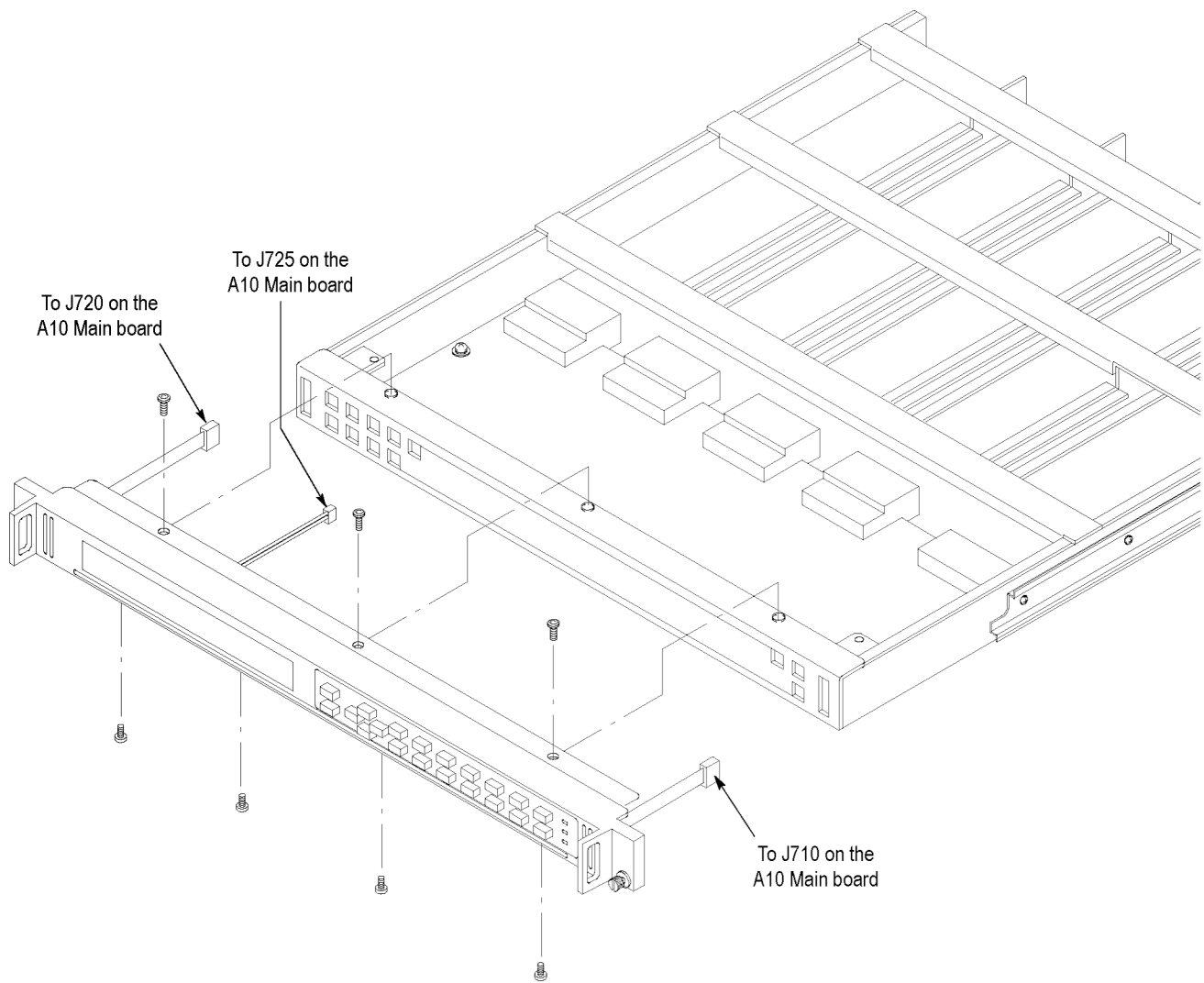


Figure 1-6: Front-panel unit removal

Front-Panel Assembly

1. *Assemble equipment and locate modules to be removed:*
 - a. You need a screwdriver with a #2 Phillips tip (items 1 and 3).
 - b. Locate the module to be removed in the locator diagram *External modules*. (See Figure 1-3.)
2. *Remove the Front Cover:* (See Figure 1-7.)
 - a. Use a screwdriver with a #2 Phillips tip to remove the two screws securing the front cover to the left and right sides of the front frame.
 - b. Grasp the front cover and pull it forward.
3. *Remove the A20 Front Key board:* (See Figure 1-7.)

- a. Use a screwdriver with a #2 Phillips tip to remove the four screws securing the A20 board to the front cover.
 - b. Lift the board away.
4. *Remove the LCD module:* (See Figure 1-7.)
- a. Use a screwdriver with a #2 Phillips tip to remove the four screws securing the LCD module to the front frame.
 - b. Lift the board away.
5. Now hand disassemble the front-panel assembly components. (See Figure 1-7.) Reverse the procedure to reassemble.
6. *Reinstallation:* Perform steps 2 through 5 in reverse order to reinstall the front-panel assembly.

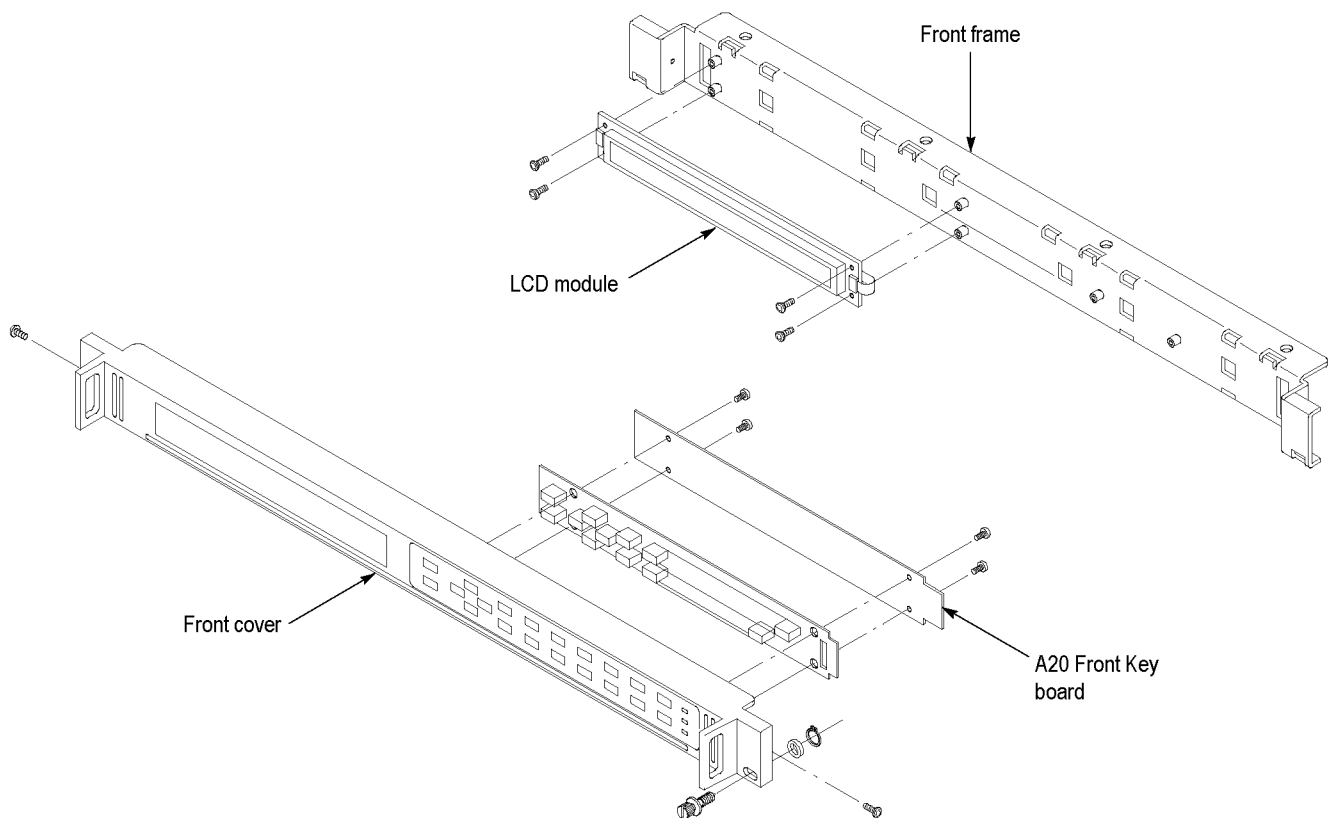


Figure 1-7: Disassembly of front-panel assembly

Procedure for Internal Modules

Perform the *Access Procedure* before doing any procedure in this group. (See page 1-15.) The procedures are:

- *A10 Main Board*
- *Power Supply Module*

A10 Main Board

1. *Assemble equipment and locate modules to be removed:*
 - a. You need a screwdriver with a #2 Phillips tip (items 1 and 3).
 - b. Locate the module to be removed in the locator diagram *Internal modules*. (See Figure 1-4.)
2. *Orient the instrument:* Set the TG700 so its bottom is down on the work surface and its right side is facing you.
3. *Remove the A10 Main board:* (See Figure 1-8.)
 - a. Unplug these cables:
 - The cables from the LCD module at J720 and J725.
 - The cable from the A20 Front Key board at J710.
 - b. Use a screwdriver with a #2 Phillips tip to remove the eight screws securing the A10 Main board to the chassis.
 - c. Lift the board up and away from the chassis to complete the removal.
4. *Reinstallation:* Do step 3 in reverse order to reinstall the A10 Main board.

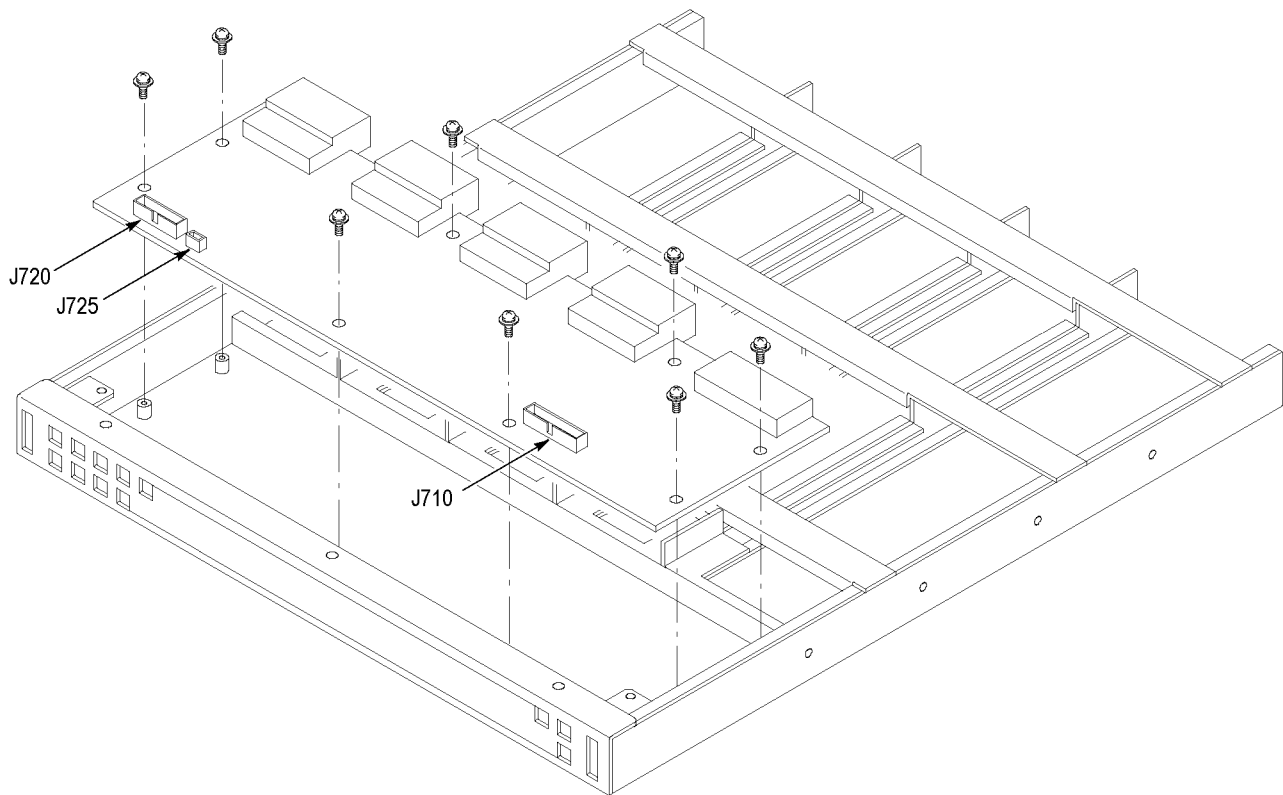


Figure 1-8: A10 Main board removal

Power Supply Module

- *A40 LAN board*
- *Fan*
- *RFI filter*

1. *Assemble equipment and locate modules to be removed:*
 - a. You need screwdrivers with #1 and #2 Phillips tips (items 1, 2, and 3), and a 7 mm nut driver (item 4).
 - b. Locate the module to be removed in the locator diagram *Internal modules*. (See Figure 1-4.)
2. *Orient the instrument:* Set the TG700 so its bottom is down on the work surface and its back is facing you.
3. *Remove the power supply module:*
 - a. Use a screwdriver with a #1 Phillips tip to loosen the two screws securing the power supply module to the mainframe.
 - b. Pull the module slowly in a horizontal direction back from the mainframe.
4. *Remove the A40 LAN board:* (See Figure 1-9.)

- a. Use a screwdriver with a #2 Phillips tip to remove the screw securing the top cover to the chassis.
 - b. Lift the cover up and away from the chassis to complete the removal.
 - c. Unplug the cable from the fan at J120 on the A40 LAN board.
 - d. Unplug the cable from the A30 POWER CONNECT board at J110 on the A40 LAN board. When reconnecting this cable, make sure that it is completely within the cable guide.
 - e. Use a screwdriver with a #2 Phillips tip to remove the three screws securing the A40 LAN board to the chassis.
 - f. Lift the board up and away from the chassis to complete the removal.
5. *Remove the **Fan**:* (See Figure 1-9.)
- a. Unplug the fan's power cable from J120 on the A40 LAN board.
 - b. Use a screwdriver with a #2 Phillips tip to remove the four screws securing the fan to the chassis.
 - c. Lift the fan up and away from the chassis to complete the removal.
6. *Remove the **RFI filter**:* (See Figure 1-9.)
- a. Unplug the two cables from the RFI filter.
 - b. Use a 7 mm nut driver to remove the nut securing the ground lead to the chassis.
 - c. Use a screwdriver with a #2 Phillips tip to remove the two screws securing the RFI filter to the chassis.
 - d. Pull the RFI filter away.
7. *Reinstallation:*
- a. Perform steps 4 through 6 in reverse order to install all the modules.
 - b. Perform step 3 in reverse order to reinstall the power supply module.

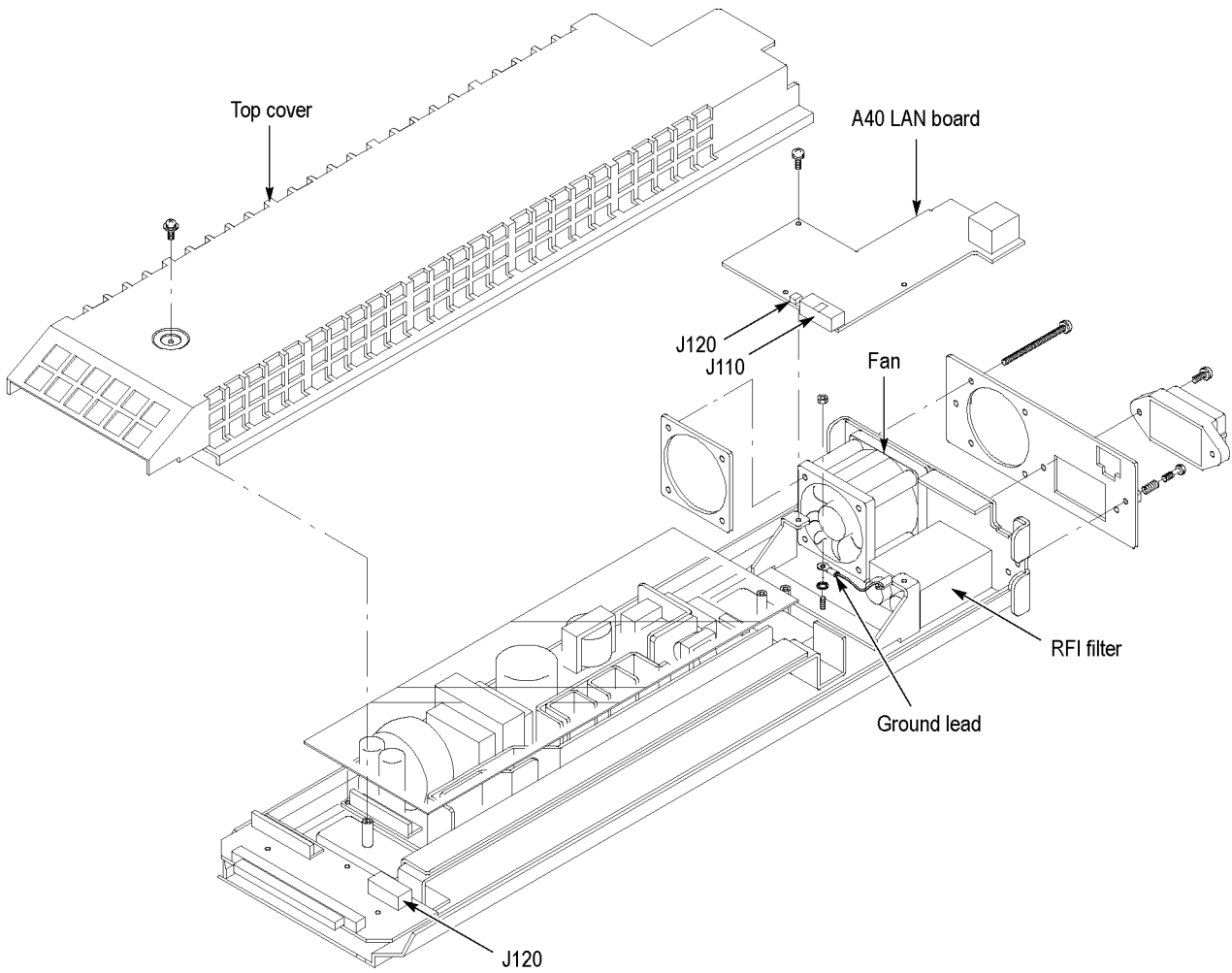


Figure 1-9: A40 LAN board, fan, and RFI filter removal

TG700 Mainframe Troubleshooting

This section contains information about diagnostics and troubleshooting trees designed to isolate faulty modules in the TG700.

Diagnostics

The TG700 has internal diagnostics that verify memory functionality. These diagnostics execute read/write tests for the signal memory of the following modules:

- HDVG7
- DVG7
- BG7 Option CB



CAUTION. *When you execute the diagnostics, be sure to save the current instrument settings to a preset, and then recall the settings after the diagnostics is completed.*

Perform the following procedures to execute the diagnostics:

1. Power on (plug in) the TG700 with the **FRONT PANEL ENABLE** button pressed. This starts up the instrument in Factory mode.
2. Wait until initialization of the mainframe and installed modules is completed. Check that no error messages appear on the display.
3. Press the up (▲) and down (▼) arrow button to select **UTILITY**, and then press the **ENTER** button to access the **UTILITY** submenu.
4. Press the up (▲) and down (▼) arrow button to select **DIAGNOSTICS**, and then press the **ENTER** button to access the **DIAGNOSTICS** submenu.
5. Press the left (◀) or right (▶) arrow button to select **Memory**, and then press the **ENTER** button to execute the memory test.
6. Check that the message **Pass:All Install Module(s)** is displayed on the display.

If the message **Fail: "a module name" Diag error** is displayed, replace the module.

Troubleshooting Trees

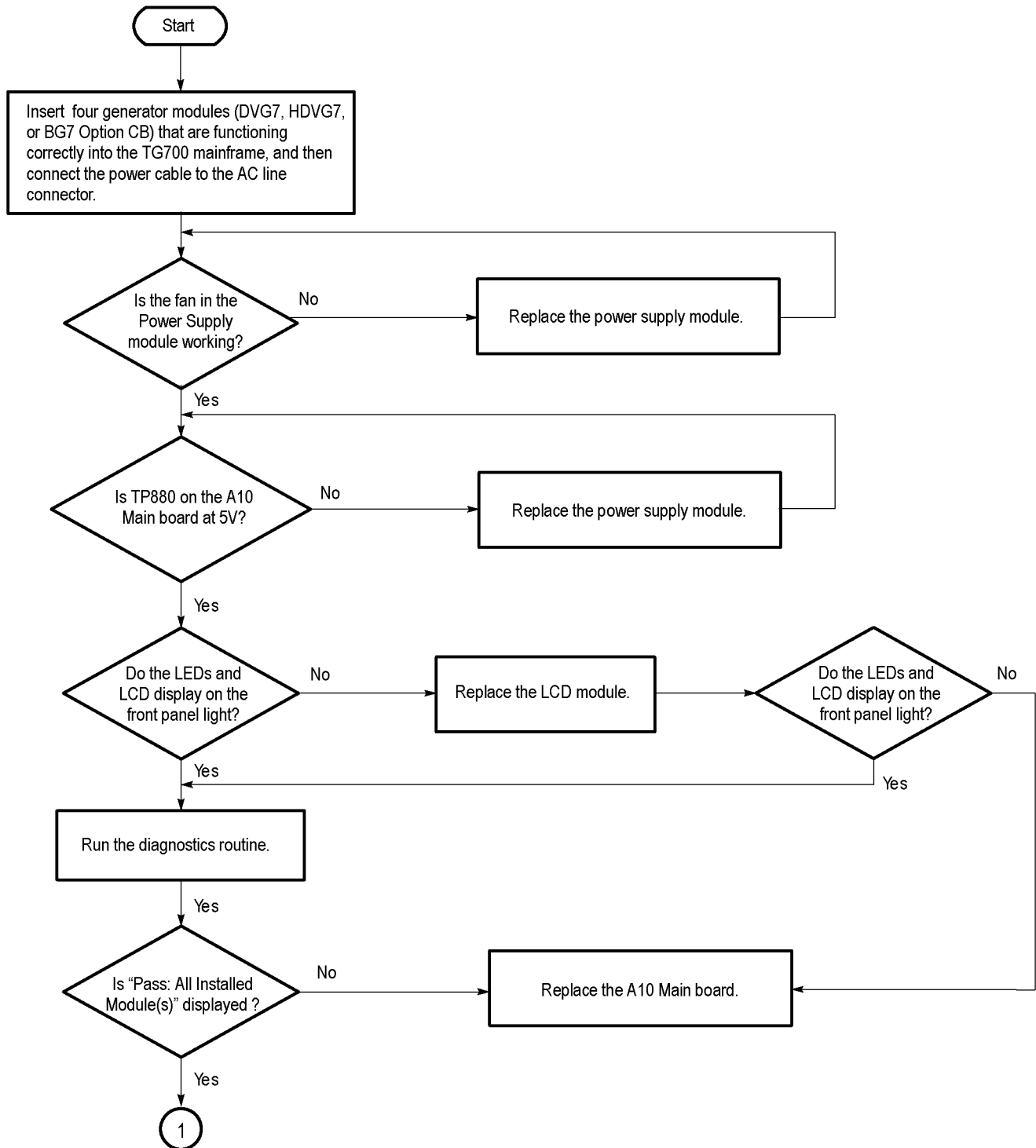


Figure 1-10: Troubleshooting procedure (1)

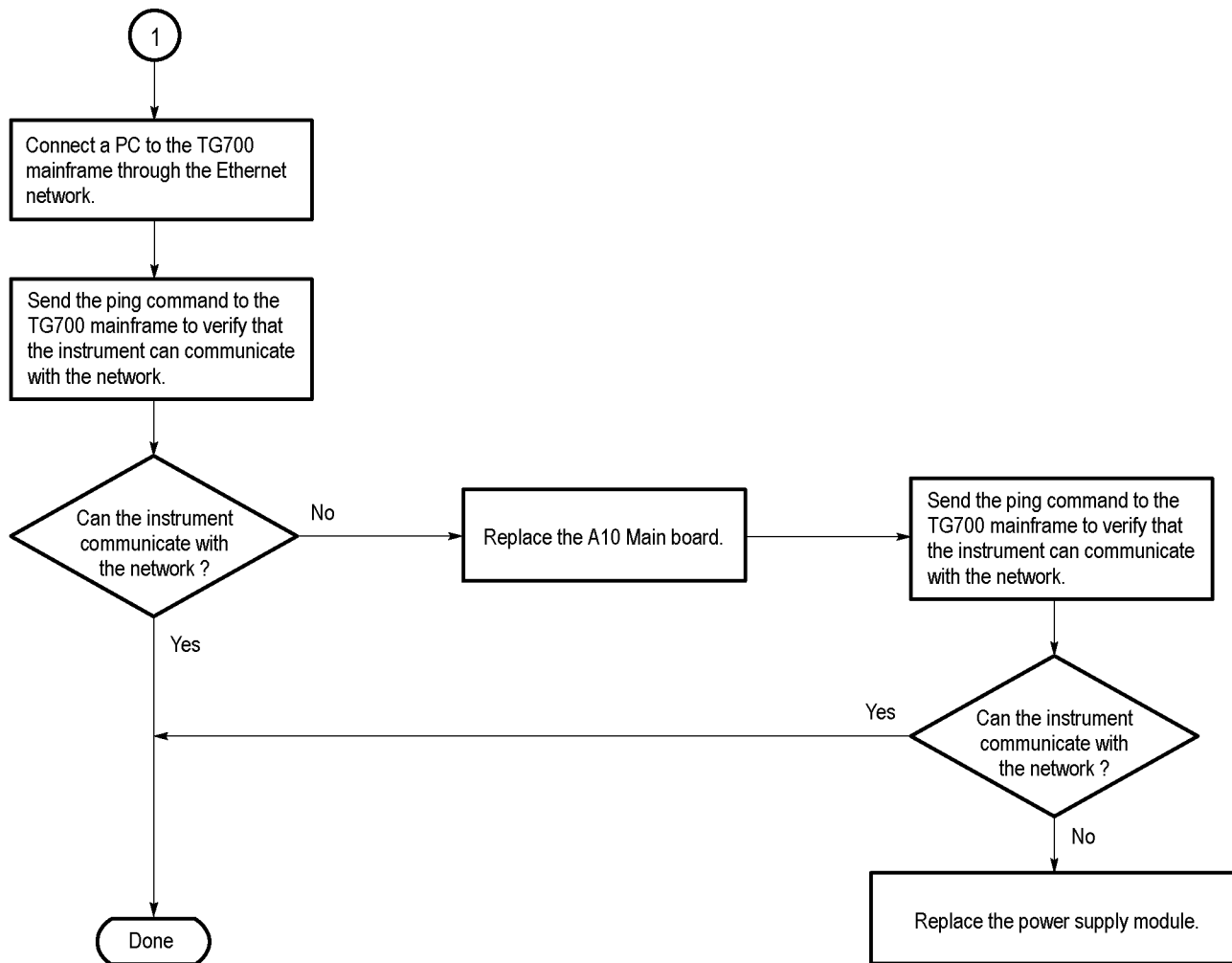


Figure 1-11: Troubleshooting procedure (2)

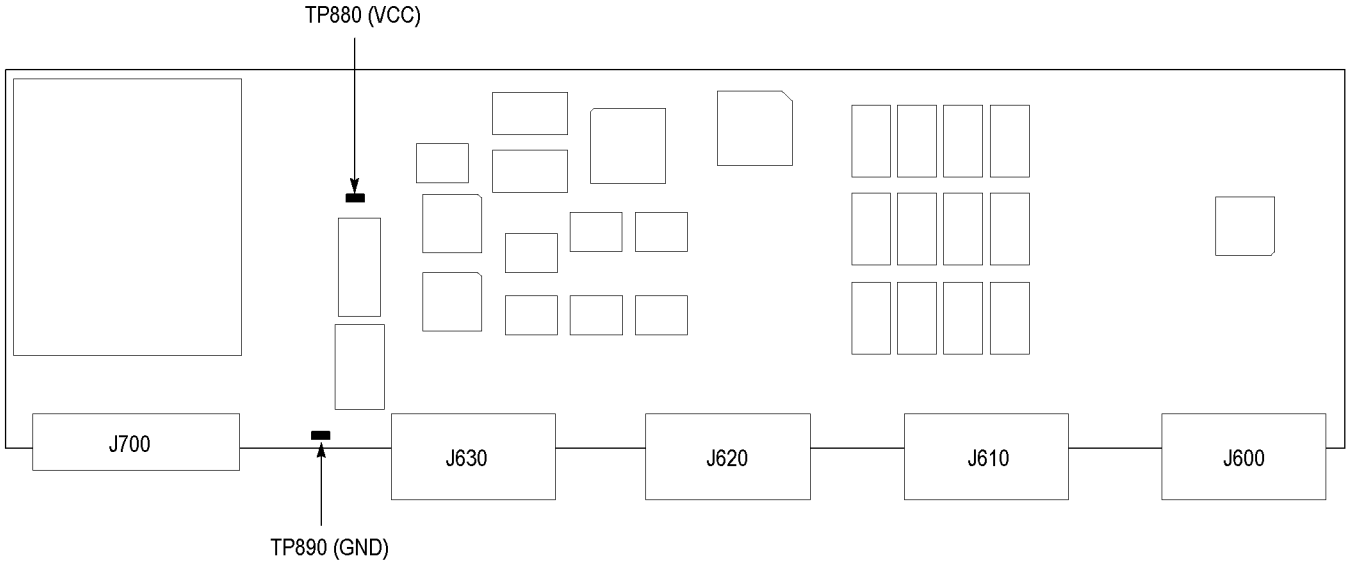


Figure 1-12: A10 Main board (view from top)

TG700 Mainframe Diagrams

This section contains the following diagrams:

- Block diagram of the TG700
- Interconnect diagram of the TG700

The Block diagram shows the modules and functional blocks in the TG700. The Interconnect diagram shows how the modules in the TG700 connect together.

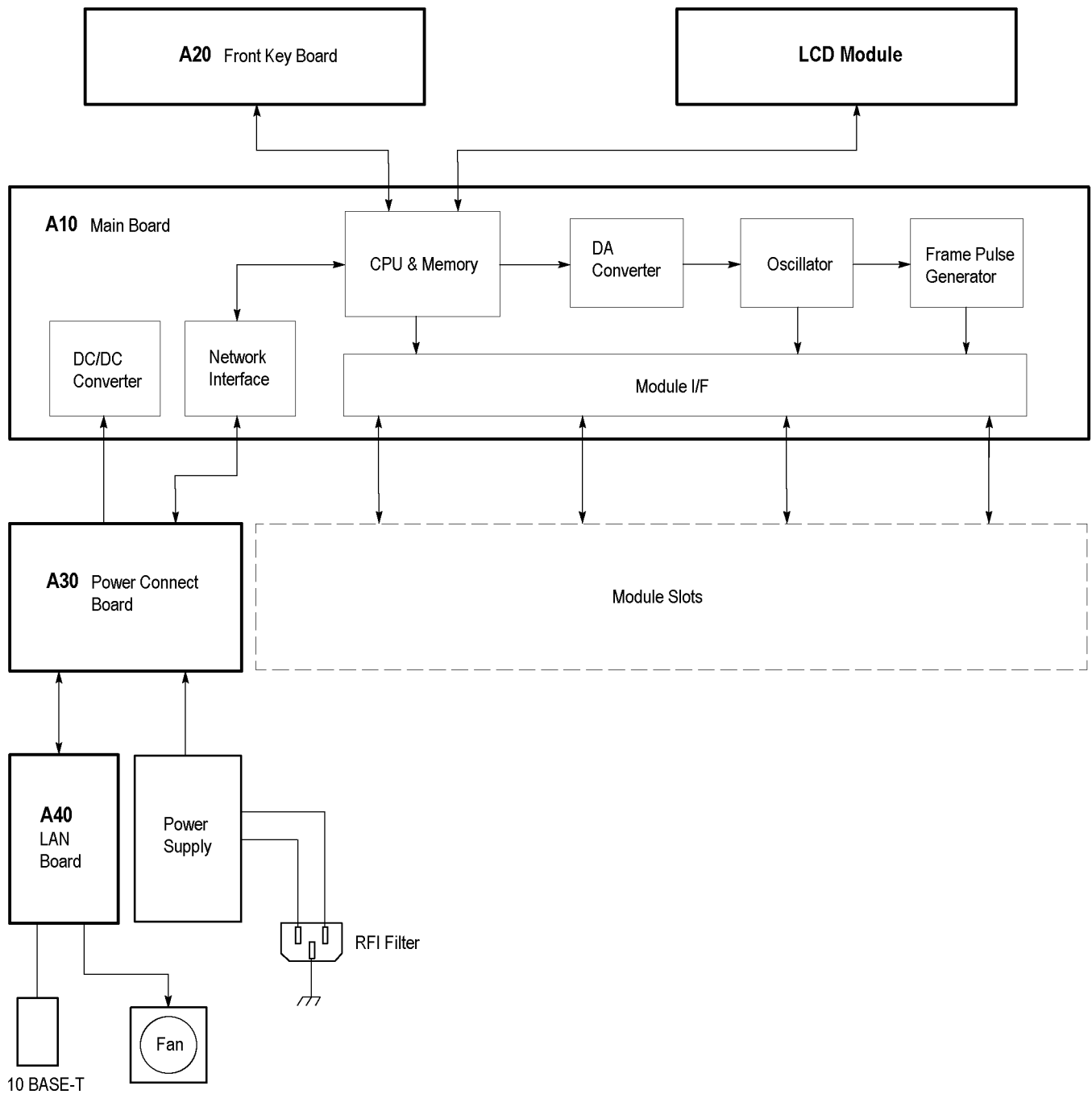


Figure 1-13: TG700 Block diagram

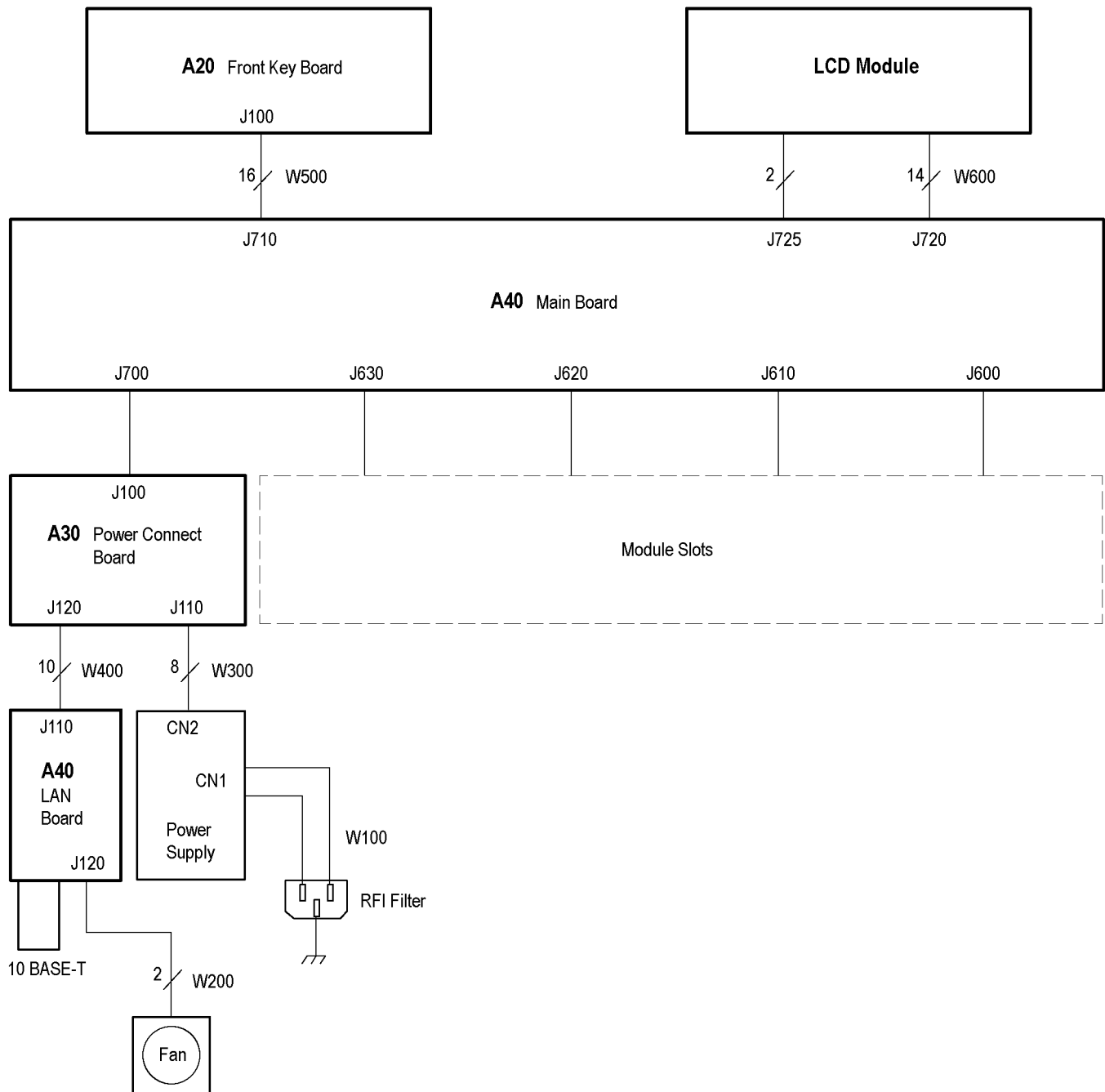


Figure 1-14: TG700 Interconnect diagram

TG700 Mainframe Replaceable Parts List

This section contains a list of the replaceable modules for the TG700 mainframe. Use this list to identify and order replacement parts.

Parts Ordering Information

Replacement parts are available through your local Tektronix field office or representative.

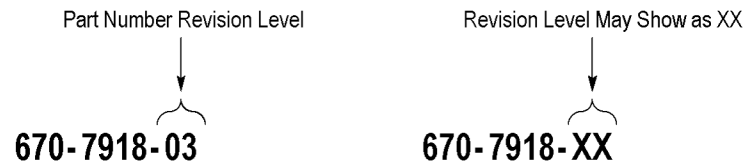
Changes to Tektronix products are sometimes made to accommodate improved components as they become available and to give you the benefit of the latest improvements. Therefore, when ordering parts, it is important to include the following information in your order.

- Part number (see Part Number Revision Level below)
- Instrument type or model number
- Instrument serial number
- Instrument modification number, if applicable

If you order a part that has been replaced with a different or improved part, your local Tektronix field office or representative will contact you concerning any change in part number.

Part Number Revision Level

Tektronix part numbers contain two digits that show the revision level of the part. For most parts in this manual, you will find the letters XX in place of the revision level number.



When you order parts, Tektronix will provide you with the most current part for your product type, serial number, and modification (if applicable). At the time of your order, Tektronix will determine the part number revision level needed for your product, based on the information you provide.

Module Servicing

Modules can be serviced by selecting one of the following three options. Contact your local Tektronix service center or representative for repair assistance.

Module Exchange. In some cases you may exchange your module for a remanufactured module. These modules cost significantly less than new modules and meet the same factory specifications. For more information about the module

exchange program, call 1-800-833-9200. Outside North America, contact a Tektronix sales office or distributor; see the Tektronix Web site for a list of offices: www.tektronix.com

Module Repair and Return. You may ship your module to us for repair, after which we will return it to you.

New Modules. You may purchase replacement modules in the same way as other replacement parts.

Using the Replaceable Parts List

This section contains a list of the mechanical and/or electrical components that are replaceable for the TG700. Use this list to identify and order replacement parts. The following table describes each column in the parts list.

Table 1-6: Parts list column descriptions

Column	Column name	Description
1	Figure & Index Number	Items in this section are referenced by figure and index numbers to the exploded view illustrations that follow.
2	Tektronix Part Number	Use this part number when ordering replacement parts from Tektronix.
3 and 4	Serial Number	Column three indicates the serial number at which the part was first effective. Column four indicates the serial number at which the part was discontinued. No entries indicates the part is good for all serial numbers.
5	Qty	This indicates the quantity of parts used.
6	Name & Description	An item name is separated from the description by a colon (:). Because of space limitations, an item name may sometimes appear as incomplete. Use the U.S. Federal Catalog handbook H6-1 for further item name identification.

Abbreviations Abbreviations conform to American National Standard ANSI Y1.1-1972.

Table 1-7: Main Chassis – replaceable parts

Fig. & index number	Tektronix part number	Serial no. effective	Serial no. discont'd	Qty	Name & description
1-15-1	390-A086-03			1	CABINET, TOP: ASSY
-2	211-A245-00			2	SCREW, MACHINE; M3X6MM L, PNH, STL, NI PL, CROSS REC, W/KOGATAMARU & LOCK WASHER
-3	348-A128-00			15	SHLD GASKET, ELEK: FINGER TYPE, 5.1MMX6.4MM W, BE-CU [97-645-02]
-4	351-0104-03			1	SL SECT, DWR EXT: 12.625 L, W/O HARDWARE SAFETY
-5	212-A041-00			8	SCREW, MACHINE; M4X8MM L, PNH, STL, NI PL, CROSS REC, W/KOGATAMARU & LOCK WASHER
-6	211-A245-01			7	SCREW, MACHINE; M3X6MM L, PNH, STL, NI PL, CROSS REC, W/KOGATAMARU & LOCK WASHER
-7	161-0216-00			1	CABLE ASSY, PWR; 3, 18 AWG, 2.5M L, BLACK, SAFETY CONTROLLED (STANDARD ACCESSORY)

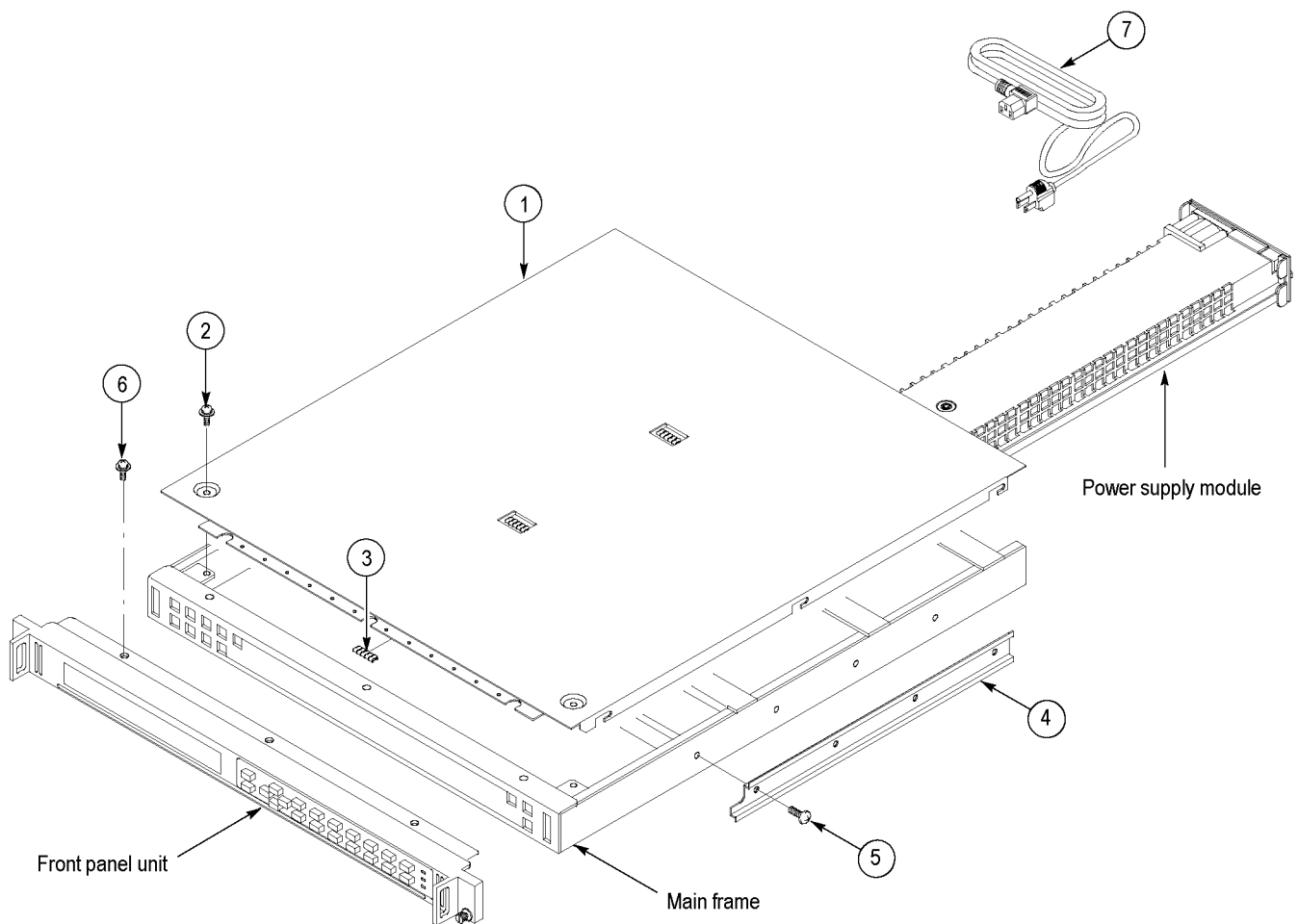


Figure 1-15: Main chassis

Table 1-8: Main frame – replaceable parts

Fig. & index number	Tektronix part number	Serial no. effective	Serial no. discont'd	Qty	Name & description
1-16-	116-0586-03			1	EXCHANGE MODULE:TG700
	116-1099-03			1	EXCHANGE MODULE:TG700-FP
1-16-1	441-A262-00			1	CHASSIS,MAIN:ASSY
-2	671-5802-02			1	CIRCUIT BD ASSY:A10 MAIN,389-B031-XX WIRED
	671-5803-02			1	CIRCUIT BD ASSY:A10 MAIN,OPT,389-B031-XX WIRED
-3	211-A245-01			8	SCREW,MACHINE:M3X6MM L,PNH,STL,N1 PL,CROSS REC,W/KOGATAMARU&LOCK WASHER
-4	348-A130-00			96 cm	GASKET,SHIELD:CONDUCTIVE URETHANE FORM STRIP,5MM WX0.5MM T,WITHOUT ADHESIVE
-5	348-A132-00			24 cm	GASKET,SHIELD:CONDUCTIVE URETHANE FORM STRIP,7MM WX1MM T, W/ADHESIVE
-6	348-A132-00			42 cm	GASKET,SHIELD:CONDUCTIVE URETHANE FORM STRIP,7MM WX1MM T, W/ADHESIVE
-7	348-A559-51			1	MARKER,IDENT:MKD WARNING
-8	334-1378-03			1	MARKER,IDENT:MKD SERIAL NO.
-9	348-A133-00			20 cm	GASKET,SHIELD:CONDUCTIVE URETHANE FORM STRIP,5.5MM WX13MM T, W/ADHESIVE

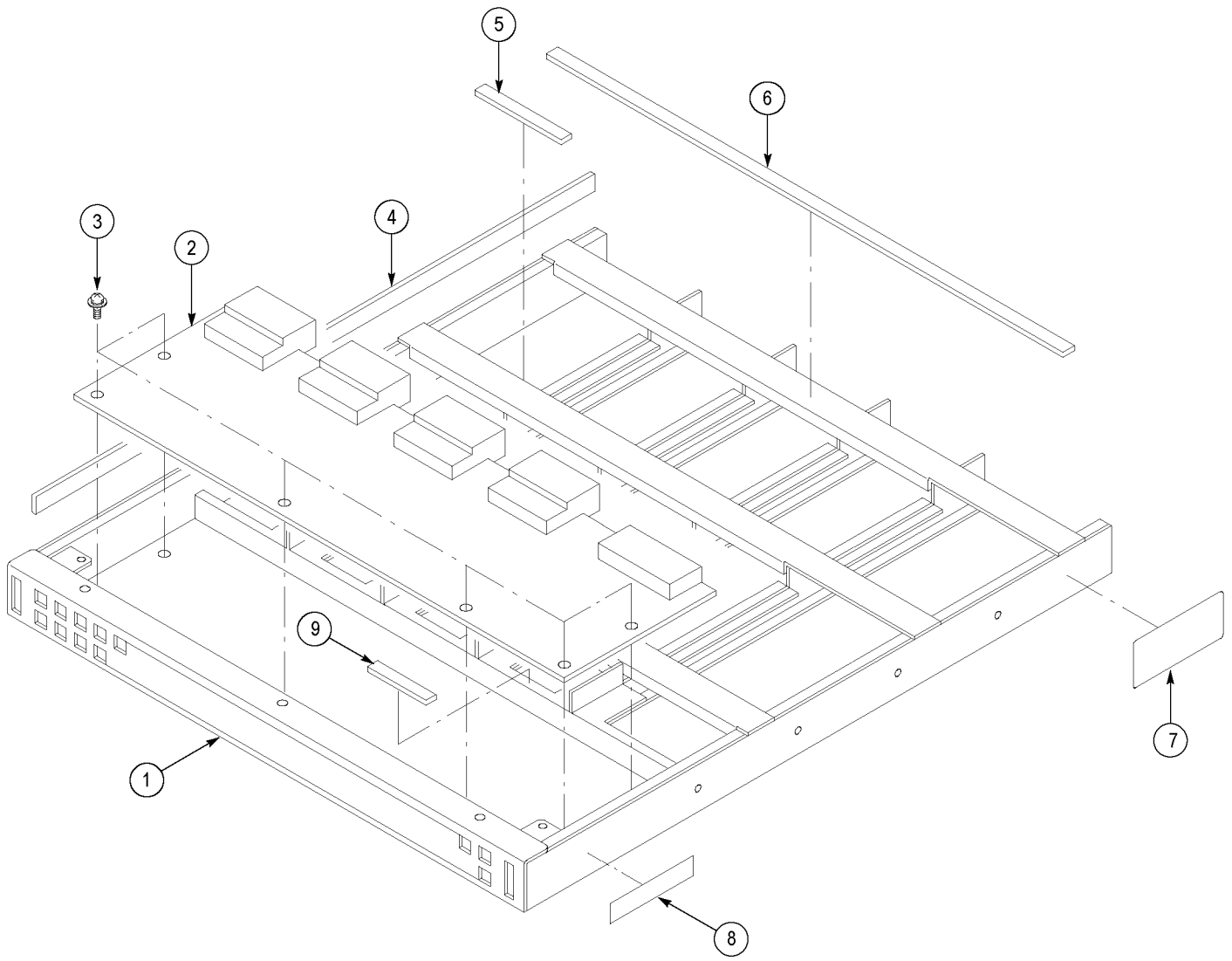


Figure 1-16: Main frame

Table 1-9: Front-panel Unit – replaceable parts

Fig. & index number	Tektronix part number	Serial no. effective	Serial no. discount'd	Qty	Name & description
1-17-1	426-A165-00			1	FRAME,FRONT:ASSY
-2	119-B053-01			1	LCD MODULE:LCD W/CONN
-3	211-A245-01			4	SCREW,MACHINE:M3X6MM L,PNH,STL,NI PL,CROSS REC,W/KOGATAMARU & LOCK WASHER
-4	200-A513-01			1	COVER,FRONT:PC,CONDUCTIVE COATED,TG700
-5	378-A047-01			1	FILTER,LCD:ACRYLIC,TG700
-6	333-A400-01			1	PANEL,FRONT:LEXAN,TG700
-7	213-A245-00			1	THUMBSCREW:10-32UNFX21.6MM L,10.3MM OD HD,STL,W/NYLON WASHER
-8	361-A174-00			1	SPACER,8MM ODX3MM L,POLYACETATE,HIROSUGI KEIKI,CZ-503
-9	354-A054-00			1	RING,RETAINING:EXT TYPE-E,U/O 3.0 MM DIA GROOVE,SST [1110201-11040]
-10	260-A147-00			1	SWITCH,RUBBER:SILICON,TG700
-11	213-1127-00			4	SCREW,TPG:M3X8MM L,PNH,STL,BLK ZN PL,CROSS REC [PTP3X8ZB]
-12	213-1127-00			2	SCREW,TPG:M3X8MM L,PNH,STL,BLK ZN PL,CROSS REC [PTP3X8ZB]
-13	174-B790-00			1	CA ASSY,SP,ELEC:16,28AWG,20CM L,FLAT
-14	174-B791-00			1	CA ASSY,SP,ELEC:14,28AWG,15CM L,FLAT
-15	671-B082-00			1	CIRCUIT BOARD ASSY:A20 FRONT KEY,389-B032-XX WIRED
-16	348-A120-00			33 CM	GASKET SHIELD:CONDUCTIVE URETHANE FORM,2MMX4MM,W/ADHESIVE [E02S040020]
-17	348-A132-00			8 CM	GASKET,SHIELD:CONDUCTIVE URETHANE FORM STRIP,7MMWX1MMT,W/ADHESIVE TAPE

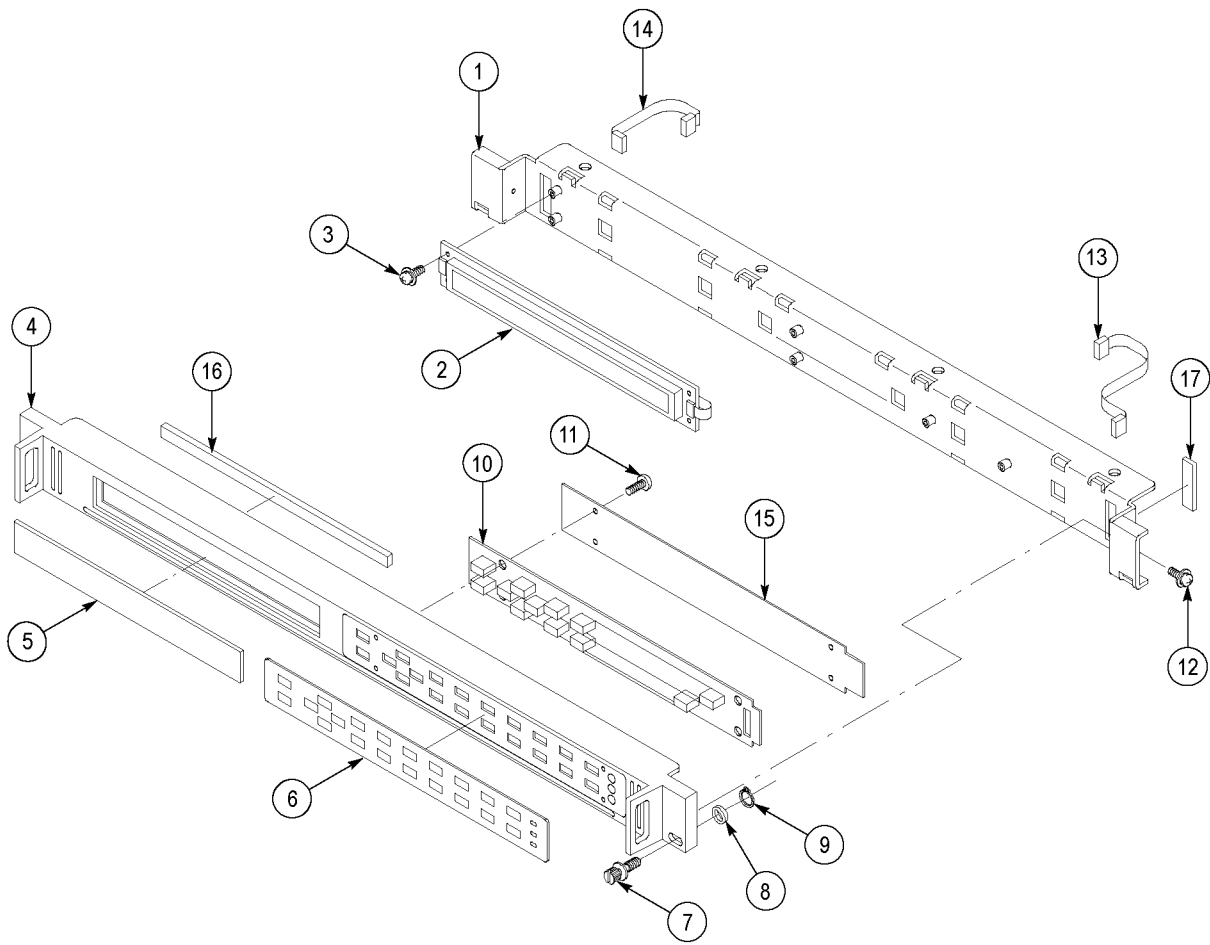


Figure 1-17: Front-panel unit

Table 1-10: Power Supply module – replaceable parts

Fig. & index number	Tektronix part number	Serial no. effective	Serial no. discount'd	Qty	Name & description
1-18-	650-A810-00			1	COMPONENT KIT POWER SUPPLY W/CARTON,TG700
1-18-1	441-A263-00			1	CHASSIS,P/S:ASSY
-2	333-A041-00			1	PANEL,REAR:POWER SUPPLY,AL
-3	211-A256-00			4	SCREW,MACHINE:M3X40MM L,PNH,STL,NI PL,CROSS REC,W/KOGATAMARU & LOCK WASHER
-4	131-4131-00			1	CONN,PLUG,ELEC:MALE W/LOCKING ADPTR,EXT MTG
-5	211-A266-00			2	SCREW,MACHINE:M3X12MM L,PNH,STL,NI PL,CROSS REC,W/KOGATAMARU & LOCK WASHER
-6	213-1129-00			2	SCREW,MACHINE:M2.5X11MM L,PAN HD,STL,NI PL,CROSS REC & SLOTTED [322401-05]
-7	214-4946-00			2	SPRING,CONICAL:VXI MOUNTING SCREW,0.26 MM SUS304,5.4MML
-8	119-B143-00			1	FILTER,RFI:3A,250VAC,0.5MA,0.150HM,50/60HZ [ZUB2203H-F]
-9	119-B059-00			1	FAN,TUBE AXIAL:119-B055-00 W/CONN,10CML
-10	220-A172-01			1	NUT,PLATE:POWER SUPPLY FAN,AL
-11	220-0193-00			1	NUT,PLAIN,HEX:M4X7MM HEX,STL,ZN-C
-12	210-0008-00			1	WASHER,LOCK:#8 INTL,0.02 THK,STL CD PL
-13	119-B054-00			1	POWER SUPPLY:INPUT 85-264VAC,OUTPUT 5VDC,20A [LEA100F-5]
-14	342-A142-01			1	INSULATOR,PLATE:POWER SUPPLY,PC
-15	671-B083-00			1	CIRCUIT BOARD ASSY:A30 POWER CONNECT,389-B033-XX WIRED
-16	211-A245-01			11	SCREW,MACHINE:M3X6MM L,PNH,STL,NI PL,CROSS REC,W/KOGATAMARU & LOCK WASHER
-17	200-A514-00			1	COVER,TOP:POWER SUPPLY,AL
-18	174-C019-00			1	CA ASSY,SP,ELEC:0-N 9-N,10CM L
-19	174-B789-00			1	CA ASSY,SP,ELEC:10,28AWG,30CM L,FLAT
-20	174-B788-00			1	CA ASSY,SP,ELEC:8,18AWG,10CM L,2-N
-21	671-B084-51			1	CIRCUIT BOARD ASSY:A40 LAN CONNECT,389-B034-XX WIRED
-22	334-1378-03			1	MARKER,IDENT:MKD SERIAL NO. FOR SONY/TEK

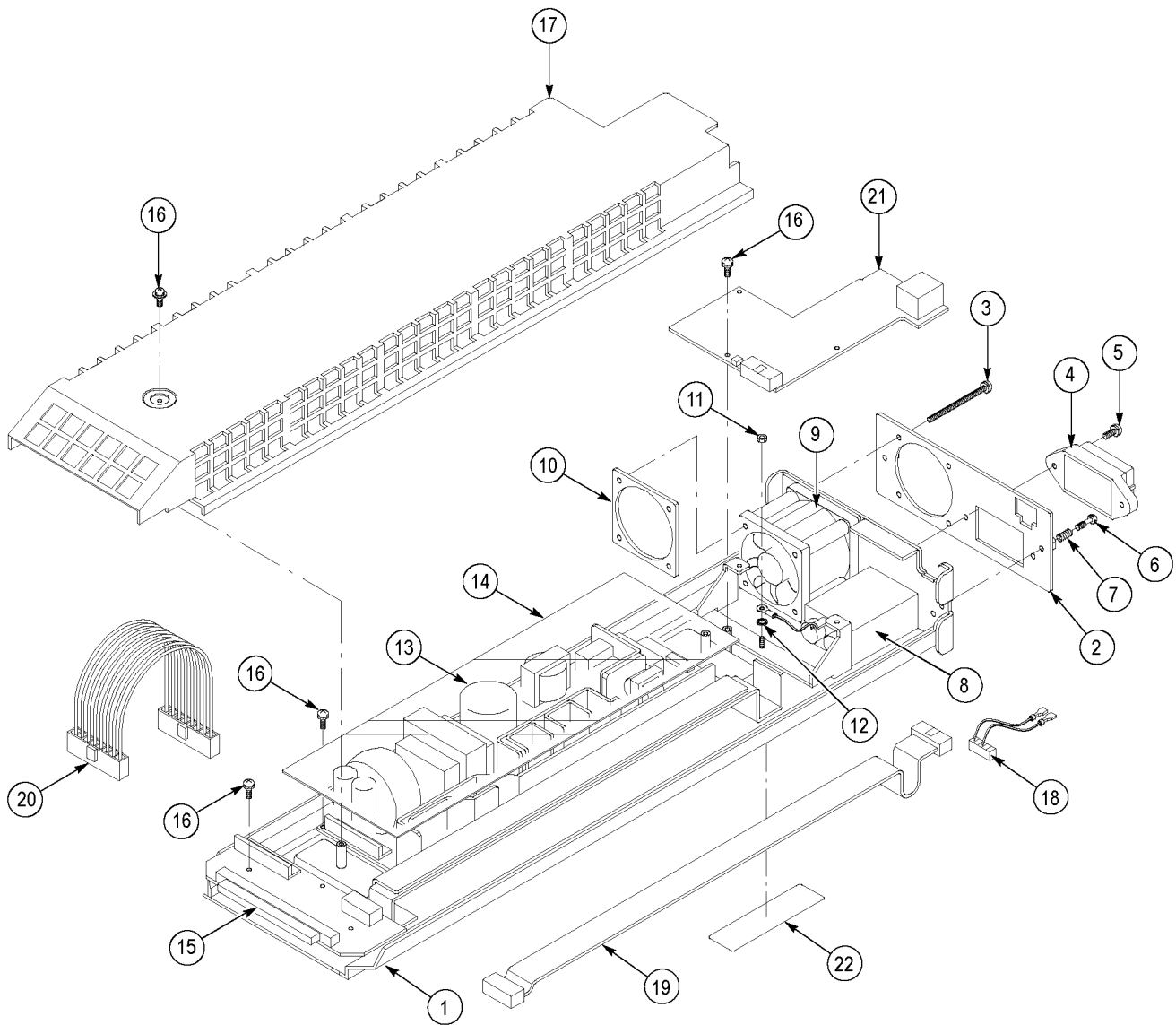


Figure 1-18: Power supply module

Table 1-11: Blank panel – replaceable parts

Fig. & index number	Tektronix part number	Serial no. effective	Serial no. discont'd	Qty	Name & description
1-19-	614-A021-00			1	PANEL,BLANK ASSY TG700,W/GASKET&LOCK SCREW
1-19-1	333-A411-00			1	CHASSIS,MODULE BLANK:ASSY
-2	214-4946-00			2	SPRING,CONICAL:VXI MOUNTING SCREW,0.26MM SUS304,5.4MM L
-3	213-1129-01			2	SCREW,MACHINE:M2.5X11MM L,PAN HD,STL,NI PL,CROSS REC & SLOTTED
-4	348-A128-00			2.5 CM	SHLD GASKET,ELEC:FINGER TYPE,5.1 MM LX6.4MM W,BE-CU [97-645-05]

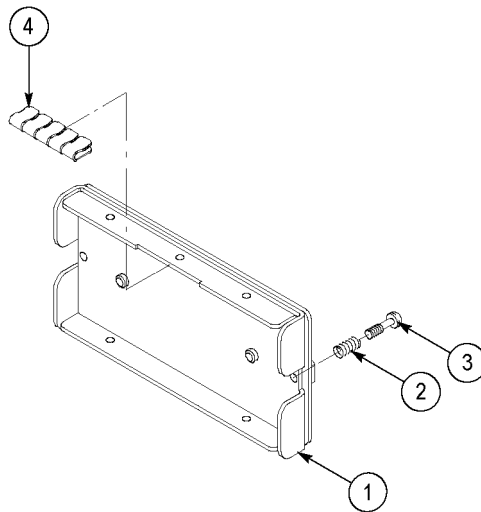


Figure 1-19: Blank panel

Table 1-12: Standard and optional accessories for TG700 Mainframe

Component number	Tektronix	Serial no. effective	Serial no. discont'd	Qty	Name & description
STANDARD ACCESSORIES					
	351-0859-00			1	TRK SL OUT SECT:STATIONARY & INTERMEDIATESAFETY CONTROLLED
	062-A249-XX			1	SOFTWARE PACKAGE:S/W(CD-R),SAMPLE WAVEFORM,APPLI
	070-A799-XX			1	MANUAL,TECH:USERS
	161-0216-00			1	CABLE ASSY,PWR,;3,18 AWG,2.5M L,BLACK (STANDARD ONLY)
OPTIONAL ACCESSORIES					
	614-A021-00			1	BLANK PANEL
	070-A800-XX			1	MANUAL,TECH:SERVICE,TG700

Removing a Module

To remove a module from the mainframe, perform the following procedure:



CAUTION. *To make module removal easier, attach terminations or BNC cables to the module connectors. The connectors may be damaged if too much force is applied during module removal.*

1. Unplug the power cord from the power connector on the mainframe rear panel.
2. Attach 75 Ω terminations or BNC cables to the BNC connectors on the module to be removed. Module removal becomes easier if the terminations or cables are attached to the connectors on the left and right sides of the module.
3. Use a screwdriver with a #1 Phillips tip to loosen the two screws securing the module to the mainframe.



CAUTION. *Be careful not to damage the parts and cables inside of the module when you remove the module from the mainframe.*

4. Pull the module slowly toward you while supporting the terminations or BNC cables attached to the connectors.

AG7 Audio Generator

AG7 Audio Generator Theory of Operation

This section describes the basic operation of the major circuit blocks in the AG7 Generator module.

Bus Interface This block provides the communication between the mainframe and the module circuit.

Audio Memory This block contains 20/24 bits audio data for all of the serial audio outputs.

Audio Data Controller and 48 kHz Decoder The block is a part of the FPGA. It receives audio data from the Audio Memory and encodes these data to serial audio data stream that comply with the AES/EBU standard. It also generates 48 kHz clock signal.

Channel Buffers (1+2, 3+4, 5+6, 7+8, and Silence) These blocks receive the digital audio data from the FPGA and set the output amplitude to the specified level.

48 kHz Clock Buffer The block outputs 48 kHz clock signal. The output level of the clock signal can be set to either a CMOS compatible level or 1 V. This feature is available through jumper J452 on the circuit board.

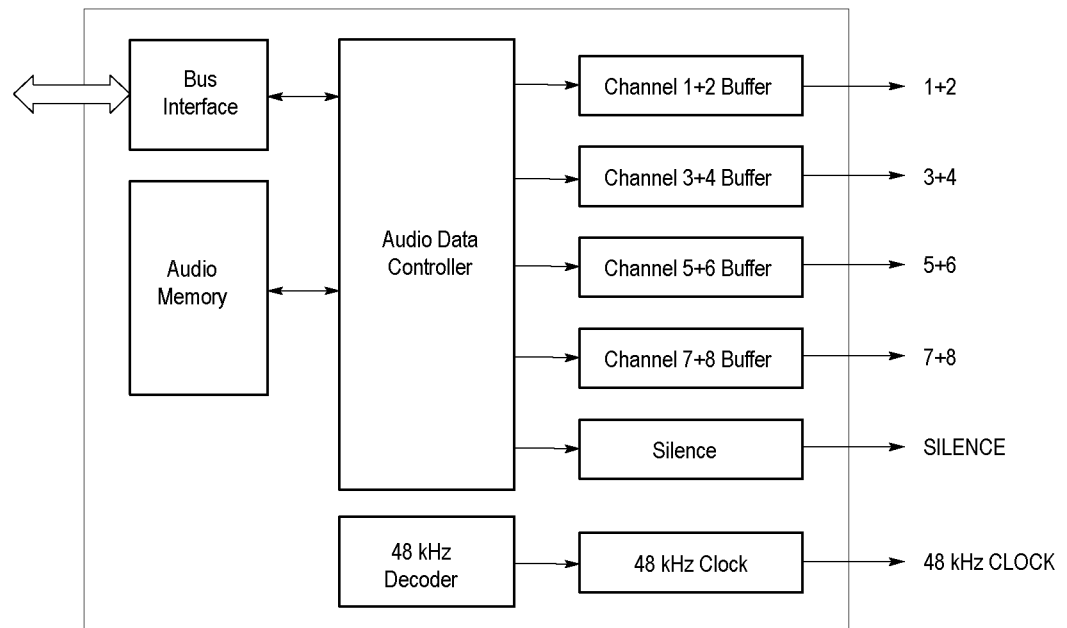


Figure 2-1: Simplified block diagram of the AG7 Generator module

AG7 Audio Generator Maintenance

This section contains instructions and procedures for maintaining the AG7 Generator module. Before following these procedures, read *Maintenance for Generators and Modules*. (See page xix.).

The following information can be found in this section:

- Removal and Replacement (See page 2-3.)
- Troubleshooting (See page 2-5.)

If the instrument does not function properly, troubleshooting and corrective measures should be taken immediately to prevent additional problems.

NOTE. *Contact your local Tektronix representative for information on where to return your instrument if it requires repair during the warranty period.*

AG7 Audio Generator Removal and Replacement

This section contains the instructions on how you can remove and replace the customer replaceable parts of the AG7 Generator module.

Tools Required

The following tools are required to perform the removal and replacement procedures:

Table 2-1: Required tools for removal and replacement of AG7 Audio Generator

Name	Description	Tektronix part number
Screwdriver handle	Accepts Phillips-driver bits	
#1 Phillips tip	Phillips-driver bit for #1 size screw heads	
#2 Phillips tip	Phillips-driver bit for #2 size screw heads	
Nut driver, 11 mm	Special nut driver for removing the BNC connectors of the AG7 module	003-A042-00

Replacing the Rear-Panel Connectors and Chassis

It is usually not necessary to replace the rear-panel connectors or chassis. However, if a connector or chassis becomes damaged, you can replace it.

Replacing the Rear-Panel Connectors

Perform the following procedure to replace the rear-panel connector:

1. Use the *Removing a Module* section to remove the AG7 Generator module from the mainframe. (See page 1-41, *Removing a Module*.)
2. Disconnect these cables:
 - The cable from J400 at 1+2 connector.
 - The cable from J410 at 3+4 connector.
 - The cable from J420 at 5+6 connector.
 - The cable from J430 at 7+8 connector.
 - The cable from J440 at SILENCE connector.
 - The cable from J450 at 48 kHz CLOCK connector.
3. Use a screwdriver with a #2 Phillips tip to remove the four screws securing the AG7 circuit board to the chassis.
4. Lift the circuit board up and away from chassis, and then place it on a static free surface.
5. Use the 11 mm nut driver to remove the nut securing the damaged connector to the chassis. Pull the connector away.
6. Perform steps 2 through 5 in reverse order to replace the connector.

Replacing the Chassis

Perform the following procedure to replace the chassis:

1. Perform steps 1 through 4 in *Replacing the Rear-Panel Connectors*. (See page 2-4.)
2. Use the 11 mm nut driver to remove the nuts from each of the rear-panel connectors.
3. Set the replacement chassis on a firm, flat, static-free work surface.
4. Apply the rear panel to the chassis, and then install all the connectors to the chassis.
5. Carefully place the AG7 circuit board in place on the chassis.
6. Use a screwdriver with a #2 Phillips tip to install the four screws securing the circuit board to the chassis.
7. Reconnect all the cables to the rear-panel connectors.

AG7 Audio Generator Troubleshooting

This section contains instructions and procedures for troubleshooting the AG7 Generator module. These procedures will help you decide whether it is necessary to replace your module.

If the TG700 mainframe does not boot up or if the display is not working, refer to *TG700 Mainframe Troubleshooting* section in this manual.

Equipment Required

The equipment listed in the following table is required for troubleshooting.

Table 2-2: Equipment required for AG7 Audio Generator troubleshooting

Equipment description	Minimum requirements/example
Screwdriver handle	Accept Phillips-driver bits
#1 Phillips tip	Phillips-driver bit for #1 size screw heads
TG700 mainframe	A TG700 mainframe that is functioning correctly

Backing up the Instrument Settings

Before you begin the trouble shooting procedures, create a preset to save your instrument settings as follows:

1. Press the **MODULE** button until the mainframe main menu (TG700: PRESET) appears.
2. Press the **ENTER** button to access the PRESET submenu.
3. Press the up (▲) or down (▼) arrow button to select **SAVE**.
4. Press the left (◀) or right (▶) arrow button to select a preset number to save instrument settings.
5. Press the **ENTER** button to save the current instrument settings to the new preset.

After the problem is solved, recall the preset you created.

Troubleshooting Trees

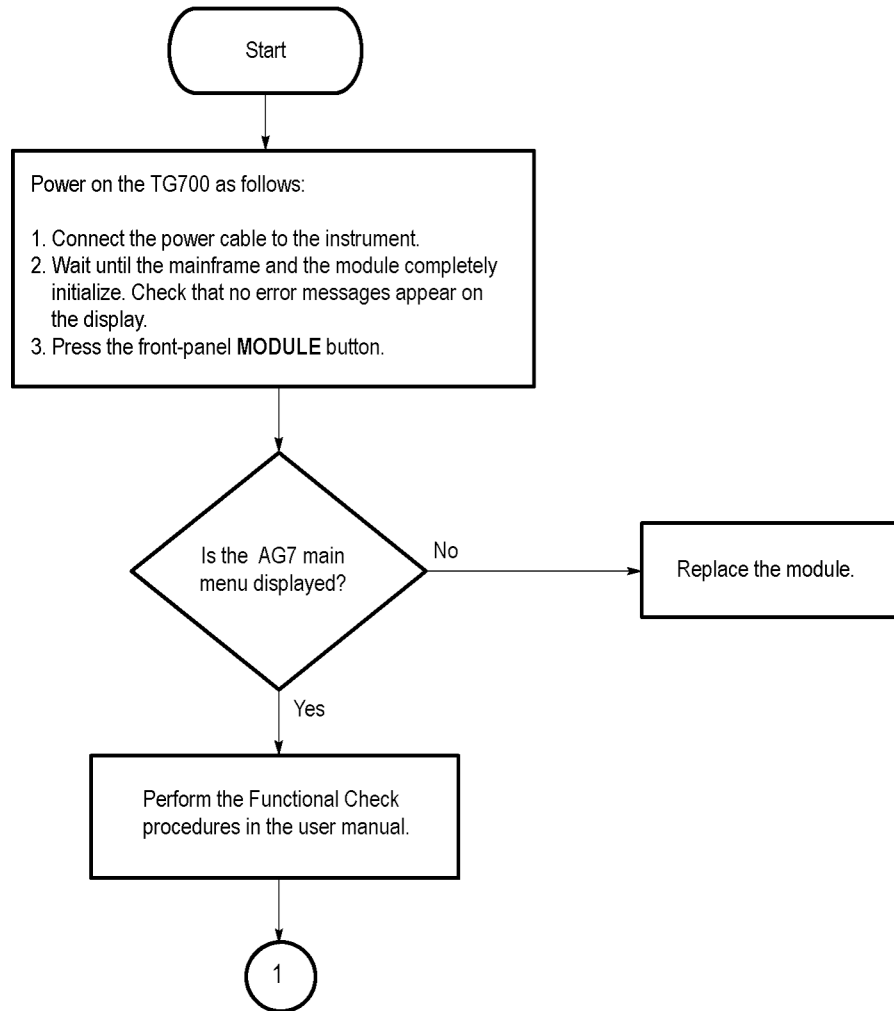


Figure 2-2: Troubleshooting procedure (1)

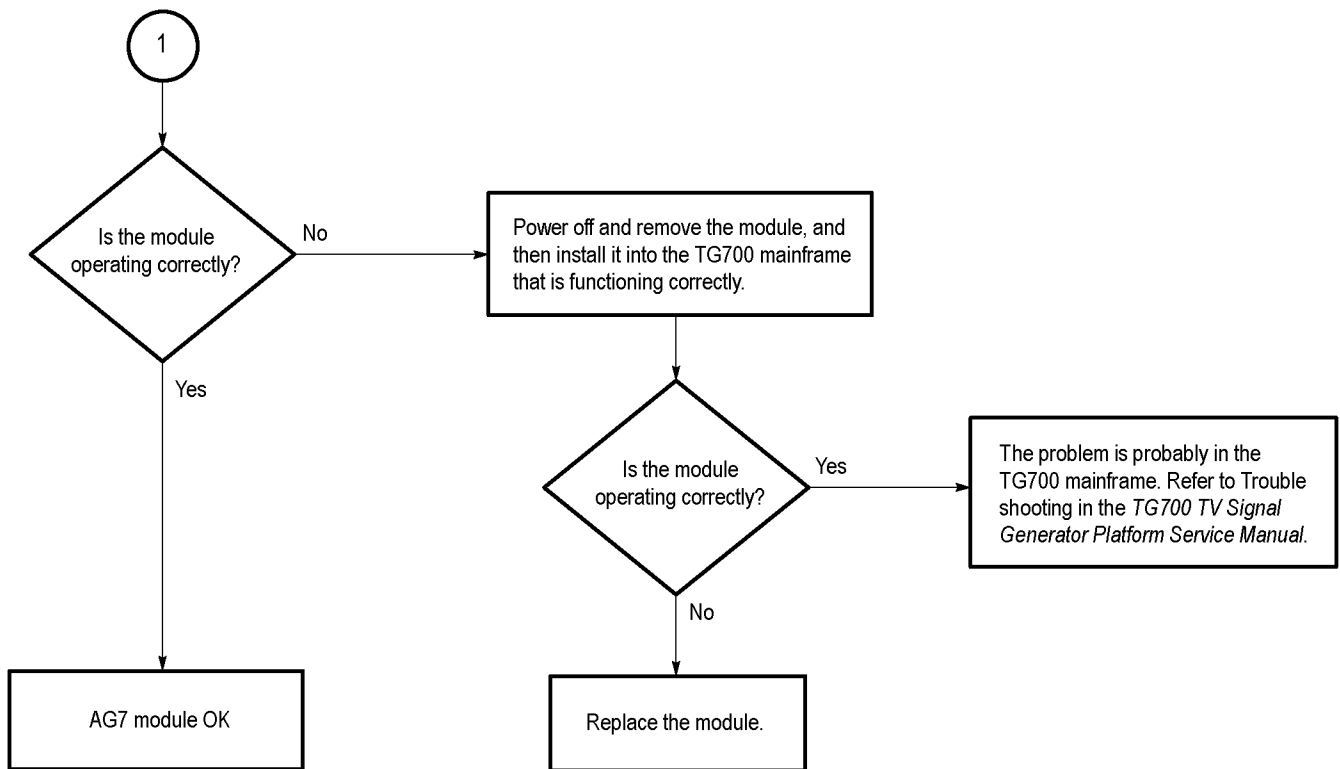


Figure 2-3: Troubleshooting procedure (2)

AG7 Audio Generator Diagram

The following figure shows the AG7 Generator module and how it interconnects with the TG700 TV Signal Generator Platform.

Diagrams showing mainframe component interconnections, such as power supply and oscillator, can be found in the *TG700 Diagram* section of this manual.

A block diagram of the AG7 Generator module is located in the *AG7 Theory of Operation* section. (See page 2-1.)

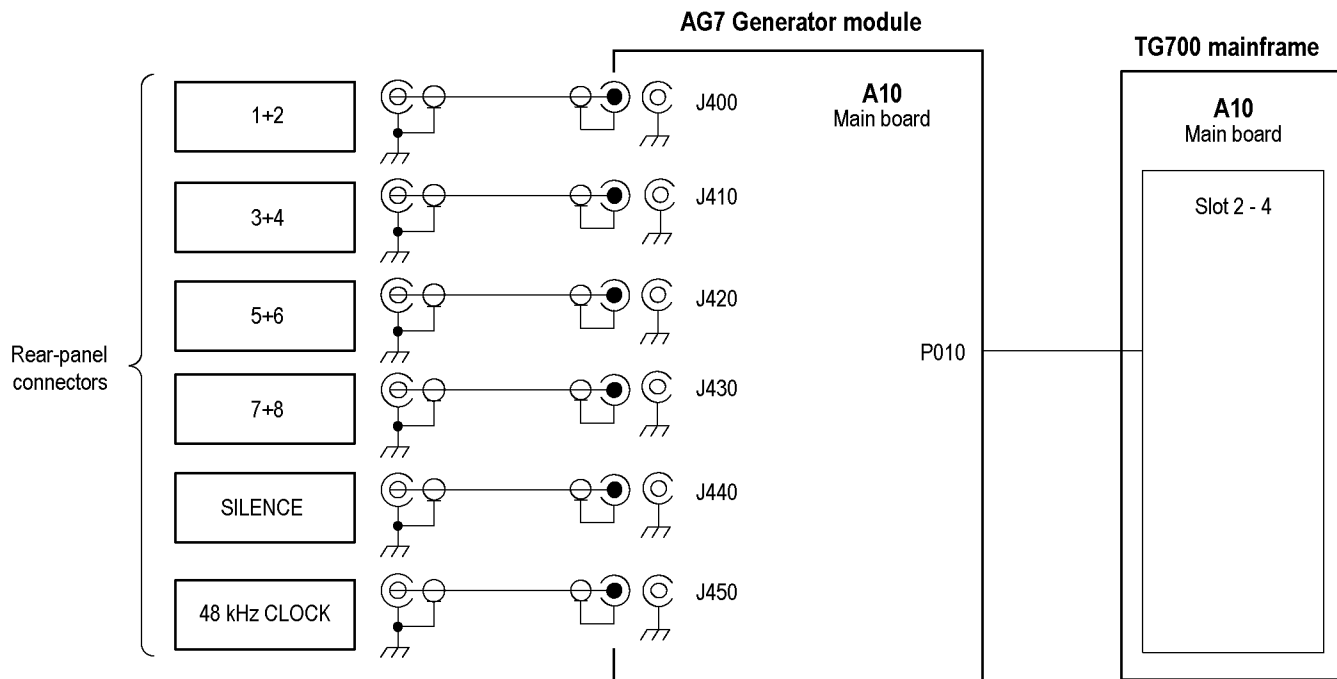


Figure 2-4: AG7 Generator module connections

AG7 Audio Generator Replaceable Parts List

This section contains a list of the replaceable modules for the AG7 Generator module. Use this list to identify and order replacement parts. For parts ordering information or servicing information, see *Parts Ordering Information* or *Module Servicing* in the *TG700 Mainframe Replaceable Parts List* section of this manual.

Abbreviations Abbreviations conform to American National Standard ANSI Y1.1-1972.

Table 2-3: AG7 Generator module – replaceable parts

Fig. & index number	Tektronix part number	Serial no. effective	Serial no. discont'd	Qty	Name & description
2-5-	116-A001-01			1	EXCHANGE MODULE:AG7
2-5-1	441-A267-03			1	CHASSIS,MODULE AG7:ASSY
-2	333-A404-00			1	PANEL,REAR:AG7,AL
-3	214-4946-00			2	SPRING,CONICAL:VXI MOUNTING SCREW,0.26 MM SUS304,5.4 MML
-4	213-1129-01			2	SCREW,MACHINE:M2.5X11MM L,PAN HD,STL,N1 PL,CROSS REC & SLOTTED
-5	348-A128-00			2.5 CM	SHLD GASKET,ELEK:FINGER TYPE,5.1MM LX6.4MM W,BE-CU [97-645-02]
-6	131-6383-00			6	CONN,RF JACK:BNC,50OHM,FEMALE,STR,SNAP IN/PNL MTG,12.5MM MLG [MCF3]
-7	211-A245-01			4	SCREW,MACHINE:M3X6MM L,PNH,STL,NI PL,CROSS REC,W/KOGATAMARU&LOCK WASHER
-8	174-A278-00			6	CA ASSY,RF:75 OHM COAX,120MM L,BLACK [QQB-0120-0]
-9	334-1378-03			1	MARKER,IDENT:MKD SERIAL NO.
STANDARD ACCESSORIES					
	070-A824-XX			1	MANUAL,TECH:MODULE INSTALLATION INSTRUCTIONS
	062-A249-XX			1	SOFTWARE PACKAGE:S/W(CD-R)
OPTIONAL ACCESSORIES					
	070-A800-XX			1	MANUAL,TECH:SERVICE,TG700
	003-A042-00			1	NUTDRIVER,BOX:11MM HEX,BNC RETAINING NUT,MODIFIED 14.5MM

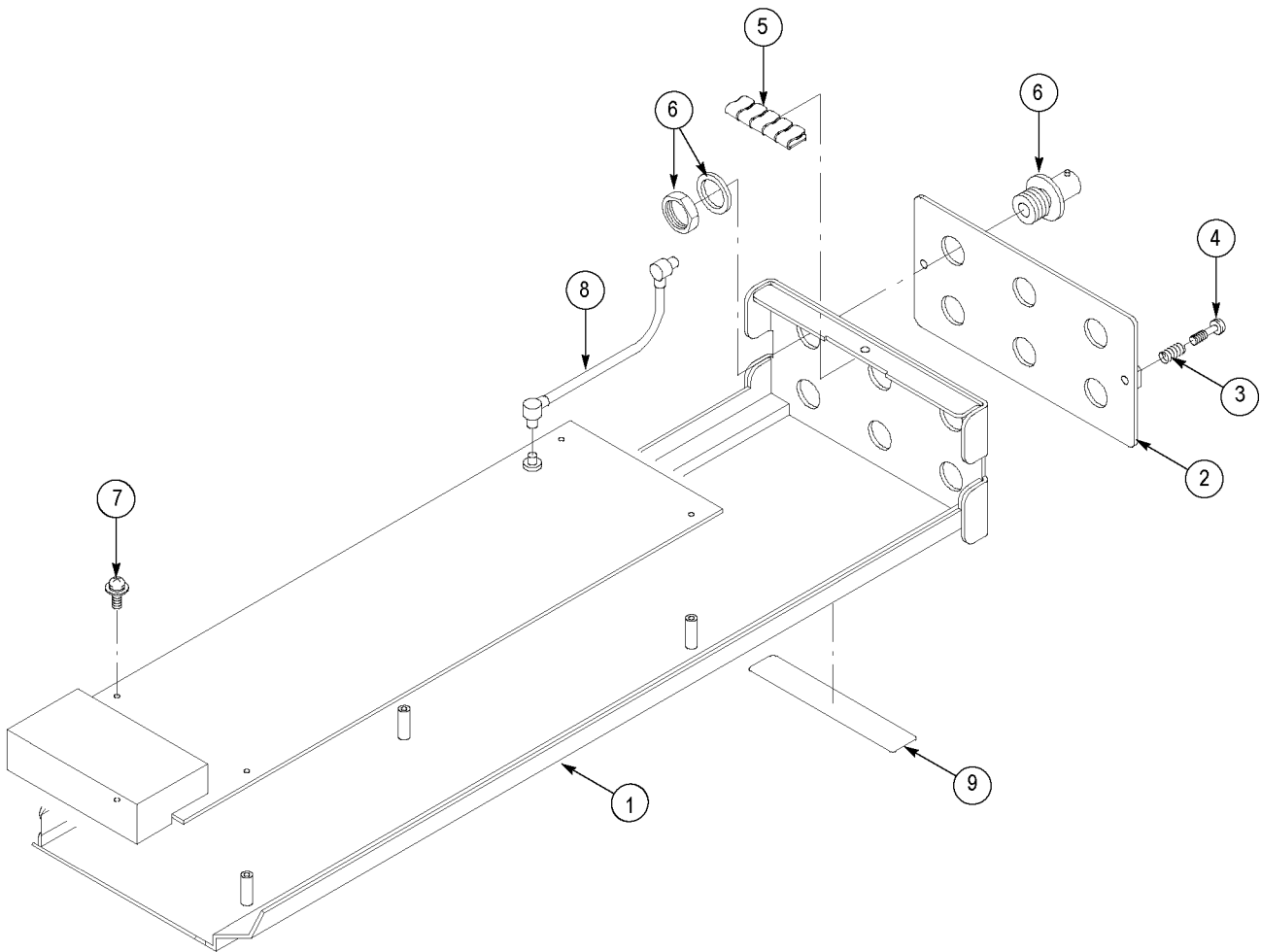


Figure 2-5: AG7 Generator module exploded view

AGL7 Analog Genlock Module

AGL7 Analog Genlock Module Theory of Operation

This section describes the basic operation of the major circuit blocks in the AGL7 Genlock module.

Analog Genlock

The Analog Genlock consists of the following blocks.

Bus Interface	This block provides the communication between the mainframe and the module circuit.
Amp & Restorer	This block consists of amplifiers to adjust the amplitude of the signal from REF or CW input and restorer to recover the DC component of the signal.
Sync Separator	The sync separator separates the sync signals such as H sync, V sync, or composite sync from the conditioned REF signal if the signal contains the sync.
A/D Converter	The A/D converter digitizes the analog input signal to 10 bits digital data for genlock operation. This data is read by the CPU in the mainframe and used to control the master oscillator frequency.
Genlock Controller	This block controls the A/D converter, memory, and sync separator to obtain correct digital data.

Black Burst Generator

The Black Burst Generator consists of the following blocks:

Black Burst Generator	This block generates NTSC or PAL black burst digital data.
Trilevel Sync Generator	This block generates trilevel sync digital data.
D/A Converter & Amp	This block consists of a D/A converter, two amplifiers, and a filter. It converts the digital data from the black burst generator or trilevel sync generator to an analog signal and reconstructs the signal for output. The "D/A Converter & Amp 3" also has a wide bandwidth filter for the HDTV trilevel sync signal.
Word Clock Generator	This block generates a 48 kHz word clock signal.

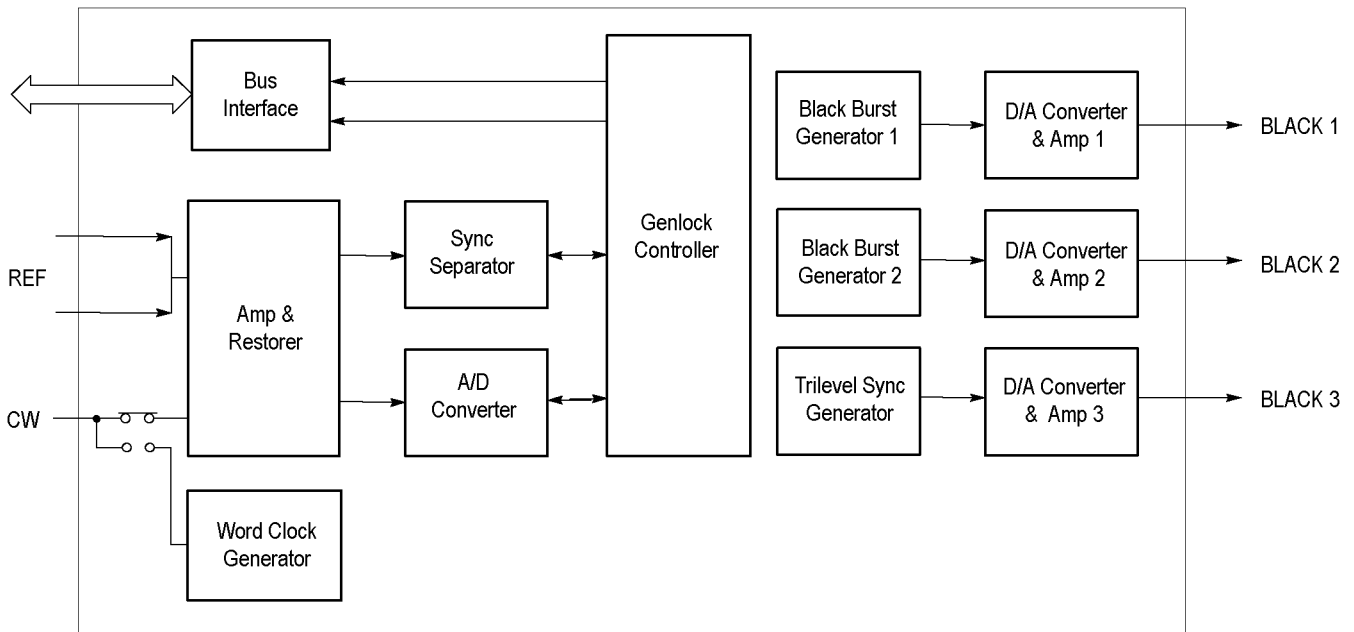


Figure 3-1: Simplified block diagram of the AGL7 Genlock module

AGL7 Analog Genlock Adjustment Procedures

This section contains information needed to adjust the AGL7 Genlock module.

Adjustments in the AGL7 Genlock module are for the output offset, output gain, and clock timing.

Requirements for Adjustment

Before doing the adjustment, note the following requirements.

Personnel This procedure is only to be performed by trained service technicians.

Warm-Up Period The AGL7 Genlock module requires a 20 minute warm-up time in a +20 °C to +30 °C environment before it is adjusted. Adjustment done before the operating temperature has stabilized may cause errors in performance.

Access When adjusting the output offset, output gain, and clock timing, you need to remove the top cover of the TG700 mainframe. For removal and installation procedures for the top cover, refer to the *TG700 TV Signal Generator Platform Service Manual*.

Equipment Required

The following table lists the equipment required to adjust the output offset, output gain, and clock timing.

Table 3-1: Equipment required for AGL7 adjustment procedures

Item	No.	Minimum requirement	Recommended equipment
TV signal generator platform	1		Tektronix TG700
Digital multimeter	1	5 1/2 digits	FLUKE 8842A
Oscilloscope	1	Bandwidth: 500 MHz or higher	Tektronix TDS754D with two P6139A probes
75 Ω BNC cable	1	Length: 42 inches	Tektronix part number 012-0074-00
75 Ω coaxial terminator	1		Tektronix part number 011-0102-03
BNC T connector	1		Tektronix part number 103-0030-00
BNC female to dual banana adapter	1		Tektronix part number 103-0090-00

Output Offset and Gain Adjustment

Preparation To perform the output offset and gain adjustment, you must first remove the top cover of the TG700 mainframe. For removal and installation procedures for the top cover, refer to the *TG700 TV Signal Generator Platform Service Manual*.

After you have removed the top cover, find the variable resistors on the AGL7 circuit board. See the following figure.

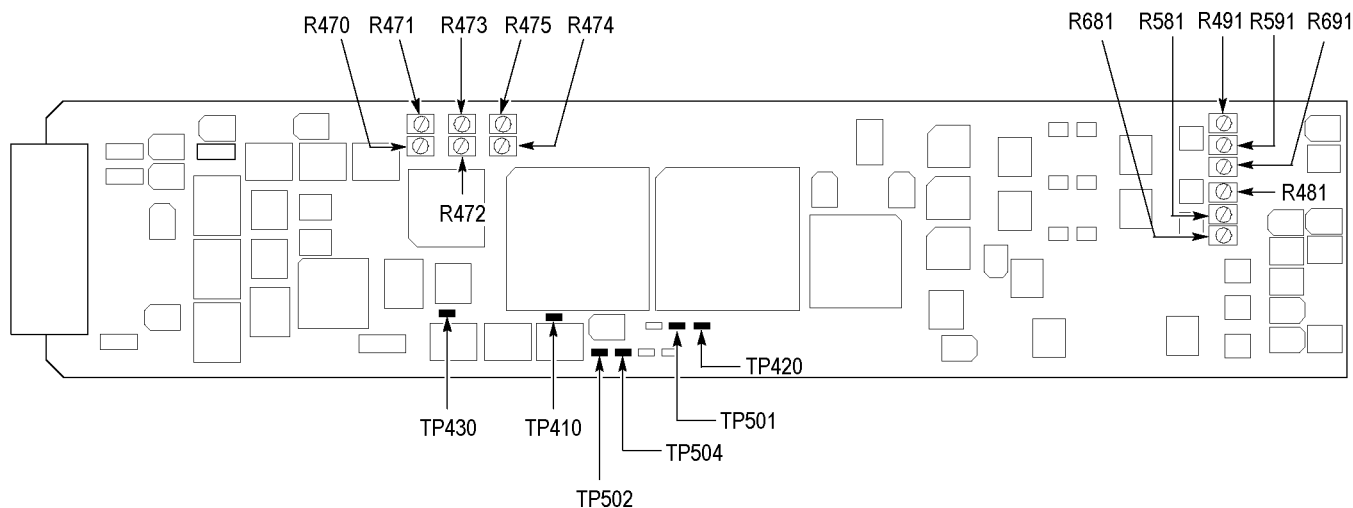


Figure 3-2: AGL7 circuit board view

Procedure



WARNING. To avoid serious injury, do not touch exposed connectors or components when operating the TG700 mainframe with the top cover removed. Dangerous potentials exist at several points within the TG700 mainframe.

1. Use the 75 Ω BNC cable, BNC T connector, 75 Ω coaxial terminator, and BNC female-to-dual banana adapter to connect the BLACK 1 connector on the AGL7 Genlock module to the INPUT connector on the digital multimeter as shown. (See Figure 3-3.)

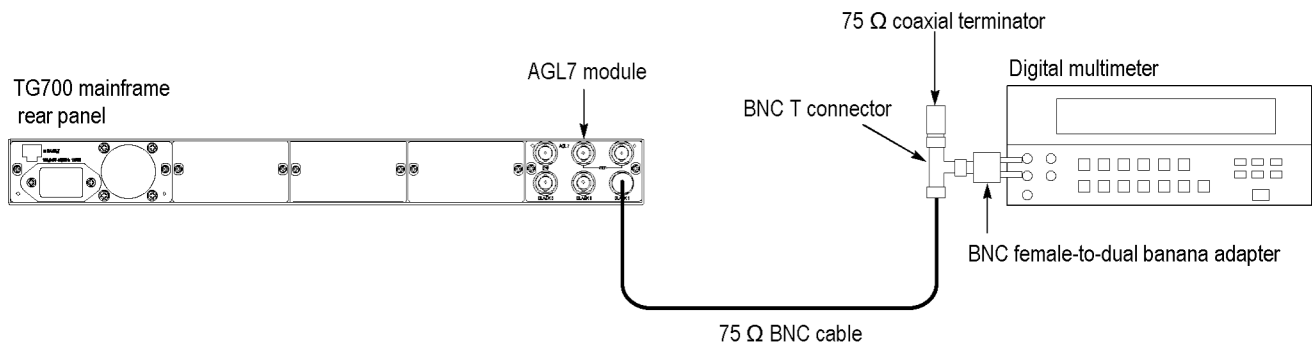


Figure 3-3: Equipment connection for adjusting the output offset and gain

2. Press and hold the **MODULE**, **FORMAT**, and **FRONT PANEL ENABLE** buttons simultaneously until **TG700 Preset** is displayed, then release the **MODULE** and **FORMAT** buttons to restart the instrument in Factory mode.
3. Select the DAC Offset (0V DC) calibration signal for BLACK 1 through BLACK 3 as follows:
 - a. Press the **MODULE** button to display the **AGL7** main menu.
 - b. Press the up (**▲**) or down (**▼**) arrow button to select **SELECT OUTPUT**.
 - c. Press the left (**◀**) or right (**▶**) arrow button to select **BLACK 1**, and then press the **ENTER** button.
 - d. Press the left (**◀**) or right (**▶**) arrow button to select **CAL**, and then press the **ENTER** button.
 - e. Press the left (**◀**) or right (**▶**) arrow button to select **DAC Offset (0V DC)**, and then press the **ENTER** button.
 - f. Press the **CANCEL** button twice.
 - g. Repeat parts c through f of this step to select the calibration signal for BLACK 2.
 - h. Press the left (**◀**) or right (**▶**) arrow button to select **BLACK 3**, and then press the **ENTER** button.
 - i. Press the left (**◀**) or right (**▶**) arrow button to select **Black Burst (Same as BLACK2)**, and then press the **ENTER** button.
 - j. Press the **CANCEL** button to return the AGL7 main menu.
4. Locate variable resistor R691 on the AGL7 circuit board. (See Figure 3-2.)
5. Adjust R691 so that the output offset is 0 V ±1 mV.
6. Move the BNC cable connection from the BLACK 1 connector to the BLACK 2 connector on the AGL7 Genlock module.
7. Locate variable resistor R491 on the AGL7 circuit board. (See Figure 3-2.)

8. Adjust R491 so that the output offset is 0 V \pm 1 mV.
9. Move the BNC cable from the BLACK 2 connector to the BLACK 3 connector on the AGL7 Genlock module.
10. Locate variable resistor R591 on the AGL7 circuit board. (See Figure 3-2.)
11. Adjust R591 so that the output offset is 0 V \pm 1 mV.
12. Select the DAC Gain (1.000V DC) calibration signal for BLACK 1 through BLACK 3 as follows:
 - a. Press the left (◀) or right (▶) arrow button to select **BLACK 1**, and then press the **ENTER** button.
 - b. Press the left (◀) or right (▶) arrow button to select **CAL**, and then press the **ENTER** button.
 - c. Press the left (◀) or right (▶) arrow button to select **DAC Gain (1.000V DC)**, and then press the **ENTER** button.
 - d. Press the **CANCEL** button twice to return the AGL7 main menu.
 - e. Repeat parts a through d of this step to select the calibration signal for BLACK 2. BLACK 3 uses the previous setting (Same as BLACK2).
13. Locate variable resistor R681 on the AGL7 circuit board. (See Figure 3-2.)
14. Adjust R681 so that the output gain is 1 V \pm 1 mV.
15. Move the BNC cable from the BLACK 1 connector to the BLACK 2 connector on the AGL7 Genlock module.
16. Locate variable resistor R481 on the AGL7 circuit board. (See Figure 3-2.)
17. Adjust R481 so that the output gain is 1 V \pm 1 mV.
18. Move the BNC cable from the BLACK 2 connector to the BLACK 3 connector on the AGL7 Genlock module.
19. Locate variable resistor R581 on the AGL7 circuit board. (See Figure 3-2.)
20. Adjust R581 so that the output gain is 1 V \pm 1 mV.

Clock Timing Adjustment (Board Number 671-B089-XX and 671-B279-00 Only)

Preparation To perform the clock timing adjustment, you must first remove the top cover of the TG700 mainframe. For removal and installation procedures for the top cover, refer to the *TG700 TV Signal Generator Platform* portion of this Service Manual. (See page 1-15, *Top Cover*.)

After you have removed the top cover, find the variable resistors on the AGL7 circuit board. (See Figure 3-2.)

Procedure



WARNING. To avoid serious injury, do not touch exposed connectors or components when operating the TG700 mainframe with the top cover removed. Dangerous potentials exist at several points within the TG700 mainframe.

1. Select the NTSC **Black Burst** signal for BLACK 1 and BLACK 2 and **1080/59.94i** signal for BLACK 3 as follows:
 - a. Press the left (◀) or right (▶) arrow button to select **BLACK 1**, and then press the **ENTER** button.
 - b. Press the left (◀) or right (▶) arrow button to select **NTSC**, and then press the **ENTER** button.
 - c. Press the left (◀) or right (▶) arrow button to select **Black Burst**, and then press the **ENTER** button.
 - d. Press the **CANCEL** button twice to return the AGL7 main menu.
 - e. Repeat parts a through d of this step to select the NTSC Black Burst signal for BLACK 2.
 - f. Press the left (◀) or right (▶) arrow button to select **BLACK 3**, and then press the **ENTER** button.
 - g. Press the left (◀) or right (▶) arrow button to select **1080/59.94i**, and then press the **ENTER** button.
 - h. Press the **CANCEL** button to return the AGL7 main menu.
2. Set the horizontal fine timing for BLACK 1 through BLACK 3 to 0.00 ns as follows:
 - a. Press the up (▲) or down (▼) arrow button to select **GENLOCK** and then press the **ENTER** button.
 - b. Press the left (◀) or right (▶) arrow button to select **INTERNAL**, and then press the **ENTER** button.
 - c. Press the **CANCEL** button to return the AGL7 main menu.
 - d. Press the up (▲) or down (▼) arrow button to select **SELECT OUTPUT**.
 - e. Press the left (◀) or right (▶) arrow button to select **BLACK 1**, and then press the **ENTER** button.
 - f. Press the up (▲) or down (▼) arrow button to select **TIMING**, and then press the **ENTER** button.
 - g. Press the up (▲) or down (▼) arrow button to select **Horizontal Fine**, and then press the left (◀) or right (▶) arrow button to set the timing to 0.00 ns.

10. Adjust R470 so that the CH2 signal is delayed by 4 ± 0.5 ns from the CH1 signal. (See Figure 3-4.)

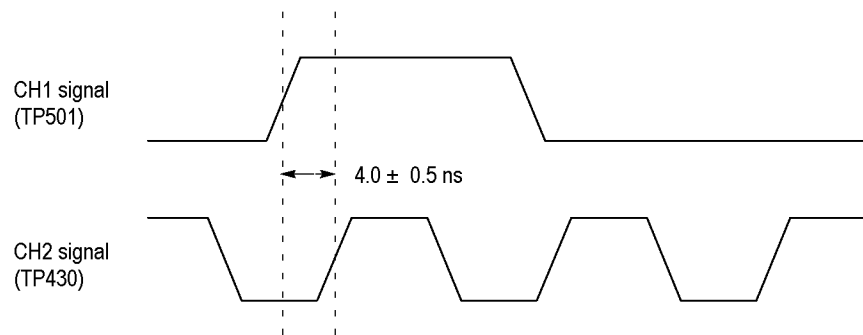


Figure 3-4: Timing relationship between CH1 and CH2 signals

11. Move the CH1 probe from TP501 to TP502.
12. Change the horizontal fine timing of the BLACK 3 output from -7.0 ns to $+7.0$ ns and verify that the CH2 signal moves at least 13.5 ns.
13. If the CH2 signal moves less than 13.5 ns, turn R471 to its center position and then perform the following steps:
 - a. Move the CH1 probe from TP502 to TP501.
 - b. Set the horizontal fine timing of BLACK 3 output to 0.00 ns.
 - c. Adjust R470 so that the CH2 signal is delayed by 4 ± 0.5 ns from the CH1 signal.
 - d. Change the horizontal fine timing of the BLACK 3 output from -7.0 ns to $+7.0$ ns and verify that the CH2 signal moves at least 13.5 ns.

If the CH2 signal still moves less than 13.5 ns, turn R471 completely clockwise and then repeat steps a through d.

14. Change the CH2 probe connection from TP430 to TP410.
15. Adjust R472 so that the CH2 signal is delayed by 8 ± 0.5 ns from the CH1 signal.
16. Change the CH1 probe connection from TP502 to TP504.
17. Change the horizontal fine timing of the BLACK 1 output from -10.0 ns to $+10.0$ ns and verify that the CH2 signal moves at least 18.5 ns.
18. If the CH2 signal moves less than 18.5 ns, turn R473 its center position and then perform the following steps:
 - a. Change the CH1 probe connection from TP504 to TP502.
 - b. Set the horizontal fine timing of BLACK 1 output to 0.00 ns.
 - c. Adjust R472 so that the CH2 signal is delayed by 8 ± 0.5 ns from the CH1 signal.
 - d. Change the horizontal fine timing of the BLACK 1 output from -10.0 ns to $+10.0$ ns and verify that the CH2 signal moves at least 18.5 ns.

If the CH2 signal still moves less than 18.5 ns, turn R473 completely clockwise and then repeat steps a through d.

19. Change the CH2 probe connection from TP410 to TP420.
20. Adjust R474 so that the CH2 signal is delayed by 8 ± 0.5 ns from the CH1 signal.
21. Change the CH1 probe connection from TP504 to TP502.
22. Change the horizontal fine timing of the BLACK 2 output from -10.0 ns to $+10.0$ ns and verify that the CH2 signal moves at least 18.5 ns.
23. If the CH2 signal moves less than 18.5 ns, turn R475 its center position and then perform the following steps:
 - a. Change the CH1 probe connection from TP502 to TP504.
 - b. Set the horizontal fine timing of BLACK 2 output to 0.00 ns.
 - c. Adjust R474 so that the CH2 signal is delayed by 8 ± 0.5 ns from the CH1 signal.
 - d. Change the horizontal fine timing of the BLACK 2 output from -10.0 ns to $+10.0$ ns and verify that the CH2 signal moves at least 18.5 ns.

If the CH2 signal still moves less than 18.5 ns, turn R475 completely clockwise and then repeat steps a through d.

AGL7 Analog Genlock Module Maintenance

This section contains instructions and procedures for maintaining the AGL7 Genlock module. Before following these procedures, read *Maintenance for Generators and Modules*. (See page xix.)

The following information can be found in this section:

- Removal and Replacement (See page 3-12.)
- Troubleshooting (See page 3-14.)

If the instrument does not function properly, troubleshooting and corrective measures should be taken immediately to prevent additional problems.

NOTE. *Contact your local Tektronix representative for information on where to return your instrument if it requires repair during the warranty period.*

AGL7 Analog Genlock Module Removal and Replacement

This section contains the instructions on how you can remove and replace the customer replaceable parts of the AGL7 Genlock module.

Tools Required

The following tools are required to perform the removal and replacement procedures:

Table 3-2: Required tools for removal and replacement of AGL7 Analog Genlock module

Name	Description	Tektronix part number
Screwdriver handle	Accepts Phillips-driver bits	
#1 Phillips tip	Phillips-driver bit for #1 size screw heads	
#2 Phillips tip	Phillips-driver bit for #2 size screw heads	
Nut driver, 14 mm	Special nut driver for removing the BNC connectors of the AGL7 module	003-A041-00

Replacing the Rear-Panel Connectors and Chassis

It is usually not necessary to replace the rear-panel connectors or chassis. However, if a connector or chassis becomes damaged, you can replace it.

Replacing the Rear-Panel Connectors

Perform the following procedure to replace the rear-panel connector:

1. Use the *Removing a Module* section to remove the AGL7 Genlock module from the mainframe. (See page 1-41, *Removing a Module*.)
2. Disconnect the cables at J000 (REF), J002 (REF), J040 (CW), J930 (BLACK 1), J830 (BLACK 2), and J880 (BLACK 4) on the AGL7 circuit board.
3. Use the 14 mm nut driver to remove the nut securing the damaged connector to the chassis. Pull the connector away.
4. Perform steps 2 and 3 in reverse order to replace the connector.

Replacing the chassis

Perform the following procedure to replace the chassis:

1. Use the 14 mm nut driver to remove the nuts from each of the rear-panel connectors.
2. Use a screwdriver with a #2 Phillips tip to remove the six screws securing the AGL7 circuit board to the chassis.
3. Lift the circuit board up and away from chassis, and then place it on a static free surface.
4. Set the replacement chassis on a firm, flat, static-free work surface.
5. Carefully place the circuit board in place on the chassis.
6. Use a screwdriver with a #2 Phillips tip to install the five screws securing the circuit board to the chassis.
7. Apply the rear panel to the chassis, and then install all the rear-panel connectors to the chassis.

AGL7 Analog Genlock Module Troubleshooting

This section contains instructions and procedures for troubleshooting the AGL7 Genlock module. These procedures will help you decide whether it is necessary to replace your module.

If the TG700 mainframe does not boot up or if the display is not working, refer to the *TG700 Mainframe Troubleshooting* section in this manual.

Equipment Required

The equipment listed in the following table is required for troubleshooting.

Table 3-3: Equipment required for AGL7 Analog Genlock module troubleshooting

Equipment description	Minimum requirements/example
Screwdriver handle	Accept Phillips-driver bits
#1 Phillips tip	Phillips-driver bit for #1 size screw heads
TG700 mainframe	A TG700 mainframe that is functioning correctly

Backing up the Instrument Settings

Before you begin the troubleshooting procedures, create a preset to save your instrument settings as follows:

1. Press the **MODULE** button until the mainframe main menu (TG700: PRESET) appears.
2. Press the **ENTER** button to access the PRESET submenu.
3. Press the up (▲) or down (▼) arrow button to select **SAVE**.
4. Press the left (◀) or right (▶) arrow button to select a preset number to save instrument settings.
5. Press the **ENTER** button to save the current instrument settings to the new preset.

After the problem is solved, recall the preset you created.

Troubleshooting Trees

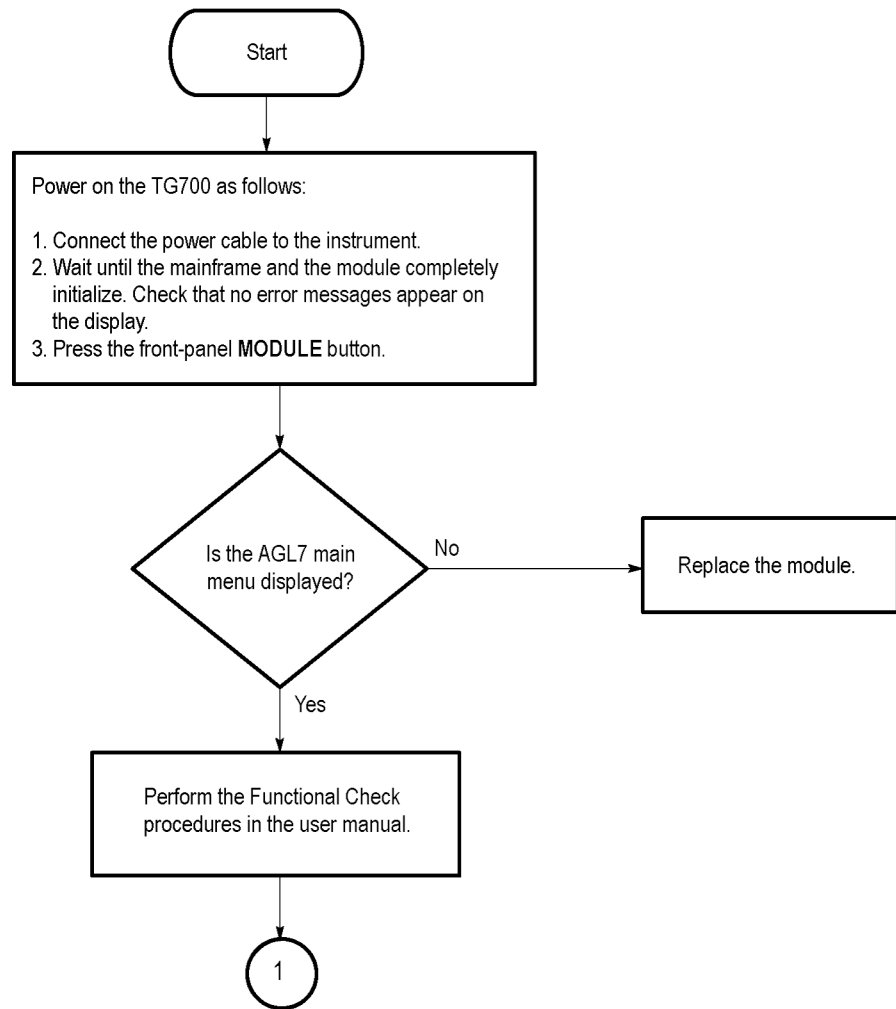


Figure 3-5: Troubleshooting procedure (1)

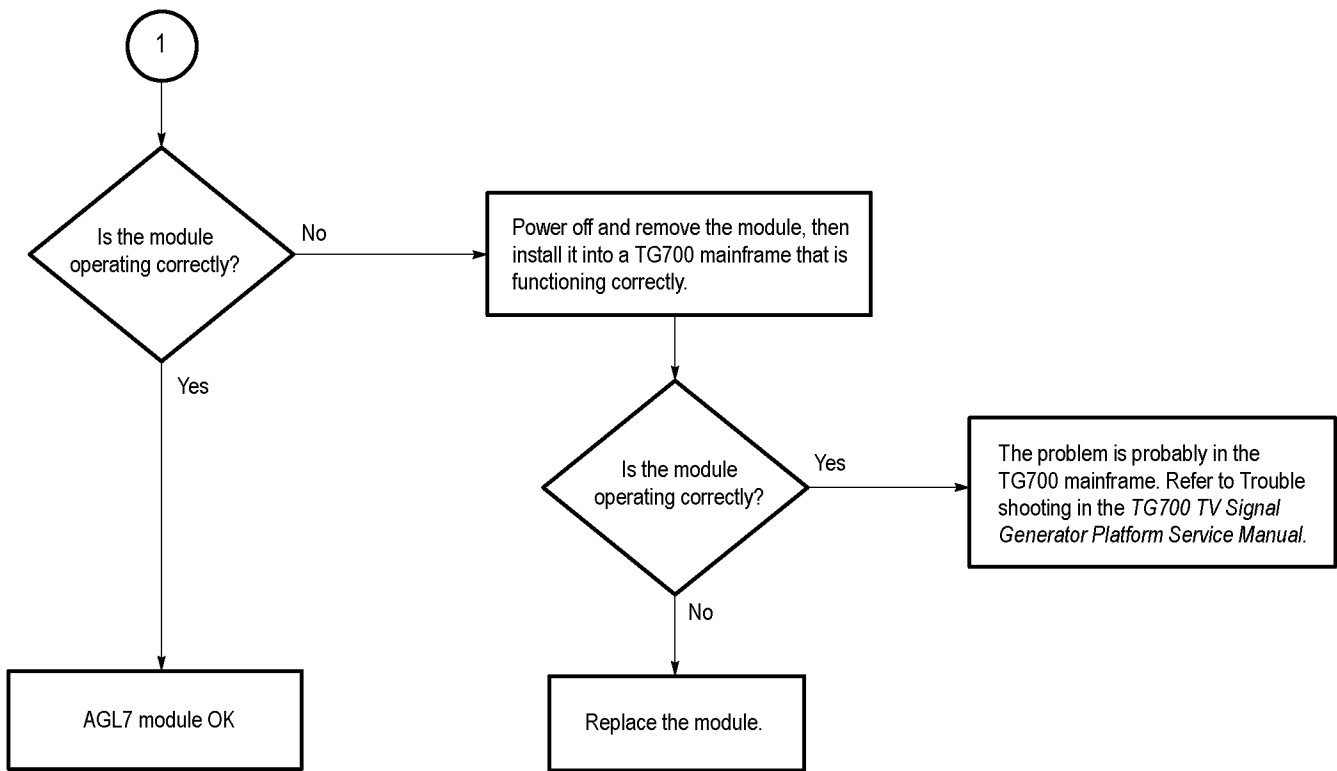


Figure 3-6: Troubleshooting procedure (2)

AGL7 Analog Genlock Module Diagram

The following figure shows the AGL7 Genlock module and how it interconnects with the TG700 TV Signal Generator Platform. Diagrams showing mainframe component interconnections, such as power supply and oscillator, can be found in the *TG700 Diagram* section of this manual.

A block diagram of the AGL7 Genlock module is located in the *AGL7 Theory of Operation* section. (See page 3-1.)

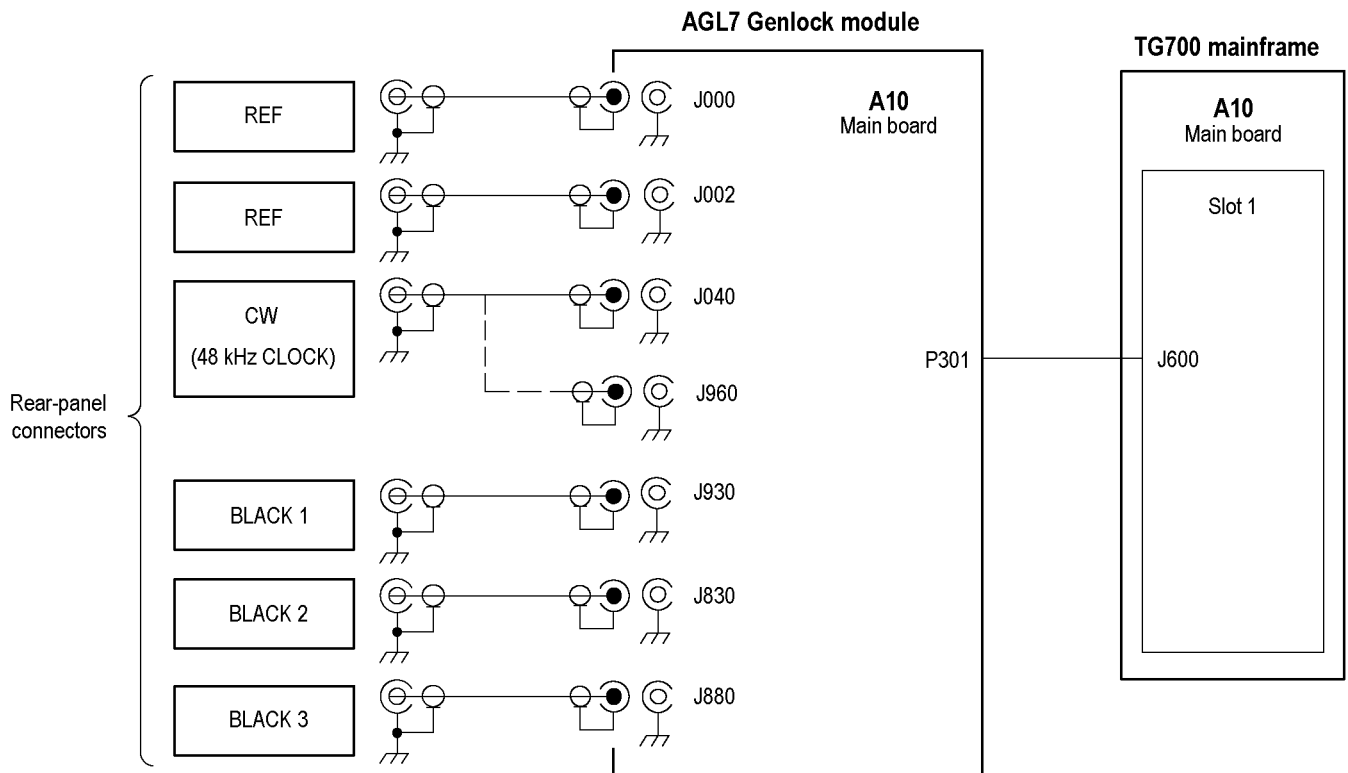


Figure 3-7: AGL7 Genlock module connections

AGL7 Analog Generator Module Replaceable Parts List

This section contains a list of the replaceable modules for the AGL7 Genlock module. Use this list to identify and order replacement parts. For parts ordering information or servicing information, see *Parts Ordering Information* or *Module Servicing* in the *TG700 Mainframe Replaceable Parts List* section of this manual.

Abbreviations Abbreviations conform to American National Standard ANSI Y1.1-1972.

Table 3-4: AGL7 Analog Generator module – replaceable parts

Fig. & index number	Tektronix part number	Serial no. effective	Serial no. discont'd	Qty	Name & description
3-8-	116-1125-00			1	EXCHANGE MODULE:AGL7
3-8-1	441-A269-02			1	CHASSIS,MODULE AGL7:ASSY
-2	333-A405-00			1	PANEL,REAR:AGL7,AL
-3	214-4946-00			2	SPRING,CONICAL:VXI MOUNTING SCREW,0.26 MM SUS304,5.4 MML
-4	213-1129-01			2	SCREW,MACHINE:M2.5X11MM L,PAN HD,STL,N1 PL,CROSS REC & SLOTTED
-5	348-A128-00			2.5 CM	SHLD GASKET,ELEK:FINGER TYPE,5.1MM LX6.4MM W,BE-CU [97-645-02]
-6	174-B847-00			6	CABLE ASSY,RF:75OHM COAX(RG179),7.5CM L,BNC TO MCX
-7	211-A245-01			5	SCREW,MACHINE:M3X6MM L,PNH,STL,NI PL,CROSS REC,W/KOGATAMARU&LOCK WASHER
-8	334-1378-03			1	MARKER,IDENT:MKD SERIAL NO.
-9	342-A146-00			1	INSULATOR,PLATE:HEAT CONDUCTOR,RUBBER,20MMX20MMX100MM THK [TC1000-TKC]
STANDARD ACCESSORIES					
	070-A824-XX			1	MANUAL,TECH:MODULE INSTALLATION INSTRUCTIONS
	062-A249-XX			1	SOFTWARE PACKAGE:S/W(CD-R)
OPTIONAL ACCESSORIES					
	070-A800-XX			1	MANUAL,TECH:SERVICE,TG700
	003-A041-00			1	NUTDRIVER,BOX:14MM HEX,BNC RETAINING NUT,MODIFIED 19MM

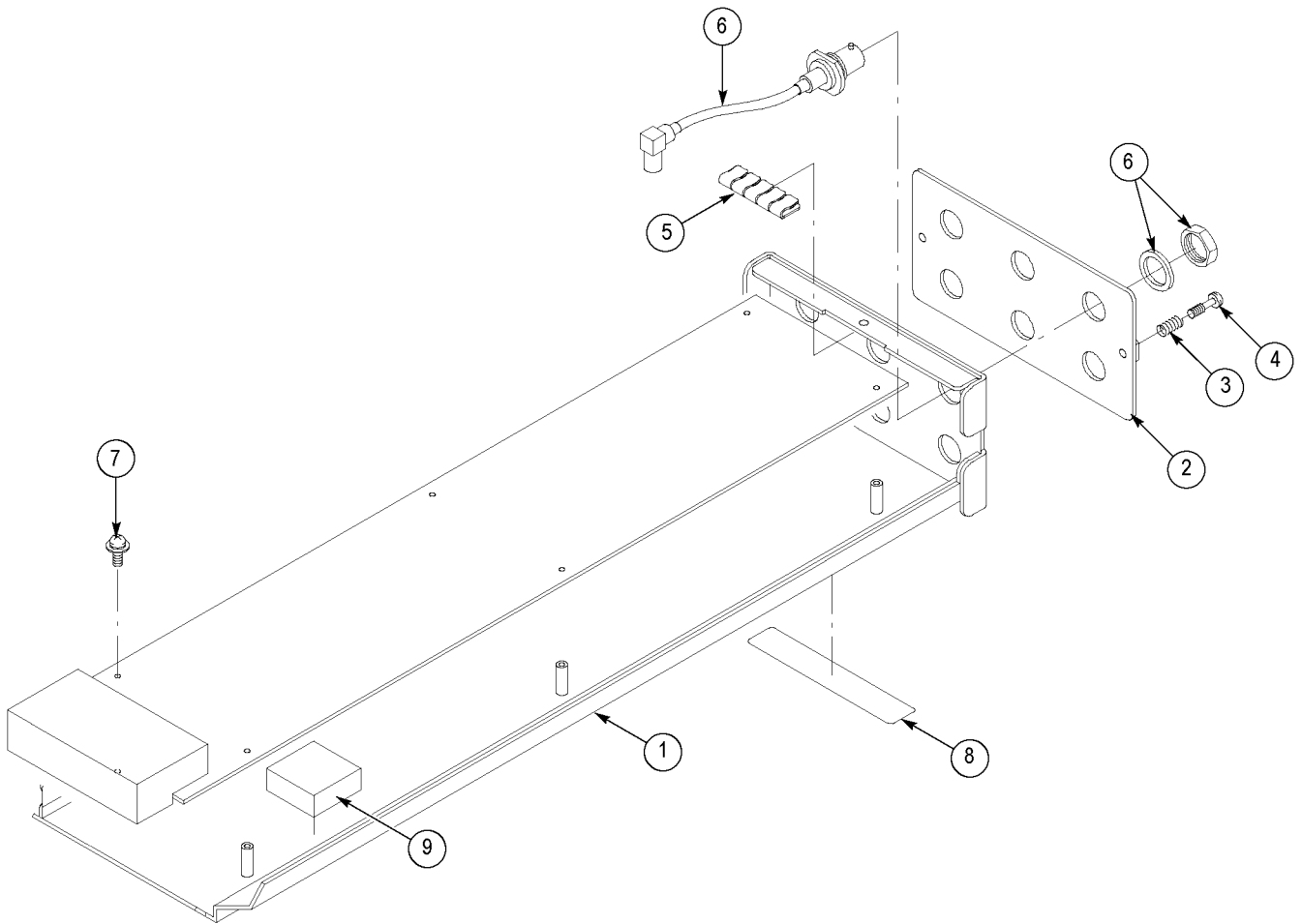


Figure 3-8: AGL7 Genlock module exploded view

ATG7 Analog Test Generator

ATG7 Analog Test Generator Theory of Operation

This section describes the basic operation of the major circuit blocks in the ATG7 Generator module.

- Bus Interface** This block provides the communication between the mainframe and the module circuit.
- Black Burst Generator** This block generates NTSC or PAL black burst digital data.
- BARS Generator** This block generates digital data for color bars, black burst, and other signals.
- SIGNAL Generator** This block generates digital data for the test signals assigned to the front-panel buttons.
- D/A Converter & Amp** This block consists of a D/A converter, two amplifiers, and a filter. It converts the digital data from the black burst generator, BARS generator, and SIGNAL generator to analog signal and reconstruct the signal for output.

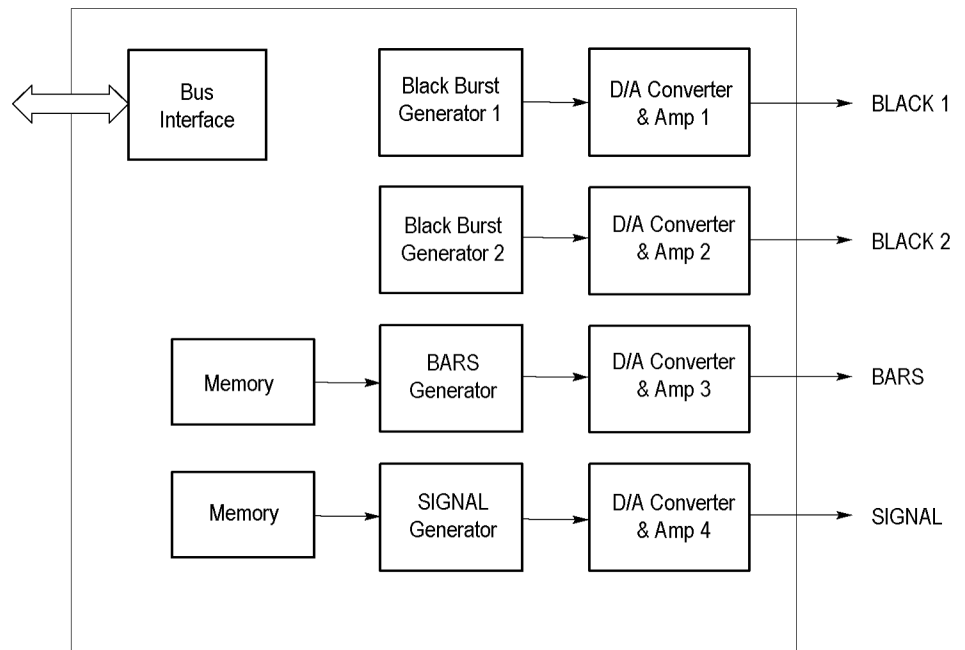


Figure 4-1: Simplified block diagram of the ATG7 Generator module

ATG7 Analog Test Generator Maintenance

This section contains instructions and procedures for maintaining the ATG7 Generator module. Before following these procedures, read *Maintenance for Generators and Modules*. (See page xix.)

The following information can be found in this section:

- Removal and Replacement (See page 4-3.)
- Troubleshooting (See page 4-5.)

If the instrument does not function properly, troubleshooting and corrective measures should be taken immediately to prevent additional problems.

NOTE. *Contact your local Tektronix representative for information on where to return your instrument if it requires repair during the warranty period.*

ATG7 Analog Test Generator Removal and Replacement

This section contains the instructions on how you can remove and replace the customer replaceable parts of the ATG7 Generator module.

Tools Required

The following tools are required to perform the removal and replacement procedures:

Table 4-1: Required tools for removal and replacement of ATG7 Test Generator

Name	Description	Tektronix part number
Screwdriver handle	Accepts Phillips-driver bits	
#1 Phillips tip	Phillips-driver bit for #1 size screw heads	
#2 Phillips tip	Phillips-driver bit for #2 size screw heads	
Nut driver, 14 mm	Special nut driver for removing the BNC connectors of the ATG7 module	003-A041-00

Replacing the Rear-Panel Connectors and Chassis

It is usually not necessary to replace the rear-panel connectors or chassis. However, if a connector or chassis becomes damaged, you can replace it.

Replacing the Rear-Panel Connectors

To replace the rear-panel connector:

1. Use the *Removing a Module* section to remove the ATG7 Generator module from the mainframe. (See page 1-41, *Removing a Module*.)
2. Disconnect the cables at J830 (BLACK 1), J880 (BLACK 2), J930 (SIGNAL) and J980 (BARS) on the ATG7 circuit board.
3. Use the 14 mm nut driver to remove the nut securing the damaged connector to the chassis. Pull the connector away.
4. Perform steps 2 and 3 in reverse order to replace the connector.

Replacing the chassis

Perform the following procedure to replace the chassis:

1. Use the 14 mm nut driver to remove the nuts from each of the rear-panel connectors.
2. Use a screwdriver with a #2 Phillips tip to remove the five screws securing the ATG7 circuit board to the chassis.
3. Lift the circuit board up and away from chassis, and then place it on a static free surface.
4. Set the replacement chassis on a firm, flat, static-free work surface.
5. Carefully place the circuit board in place on the chassis.
6. Use a screwdriver with a #2 Phillips tip to install the five screws securing the circuit board to the chassis.
7. Apply the rear panel to the chassis, and then install all the rear-panel connectors to the chassis.

ATG7 Analog Test Generator Troubleshooting

This section contains instructions and procedures for troubleshooting the ATG7 Generator module. These procedures will help you decide whether it is necessary to replace your module.

If the TG700 mainframe does not boot up or if the display is not working, refer to the *TG700 Troubleshooting* section in this manual.

Equipment Required

The equipment listed in the following table is required for troubleshooting.

Table 4-2: Equipment required for ATG7 Test Generator troubleshooting

Equipment description	Minimum requirements/example
Screwdriver handle	Accept Phillips-driver bits
#1 Phillips tip	Phillips-driver bit for #1 size screw heads
TG700 mainframe	A TG700 mainframe that is functioning correctly

Backing up the Instrument Settings

Before you begin troubleshooting, create a preset to save your instrument settings as follows:

1. Press the **MODULE** button until the mainframe main menu (TG700: PRESET) appears.
2. Press the **ENTER** button to access the PRESET submenu.
3. Press the up (▲) or down (▼) arrow button to select **SAVE**.
4. Press the left (▲) or down (▼) arrow button to select a preset number to save instrument settings.
5. Press the **ENTER** button to save the current instrument settings to the new preset.

After the problem is solved, recall the preset you created.

Troubleshooting Trees

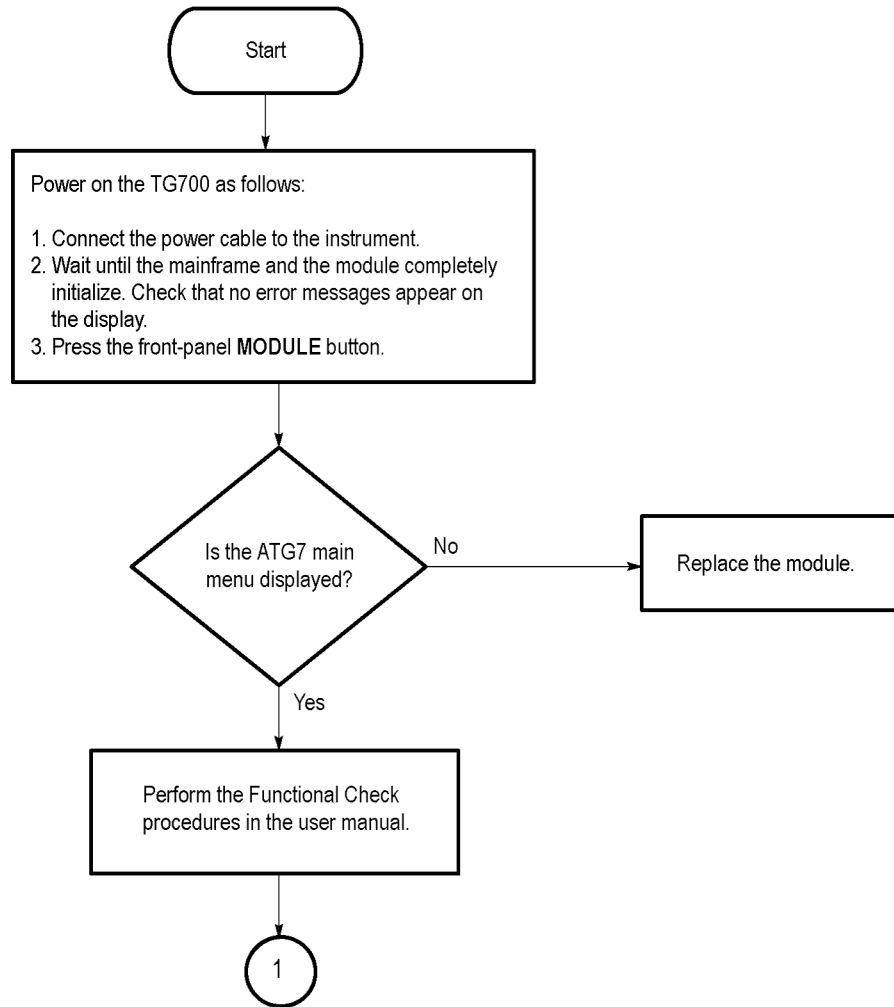


Figure 4-2: Troubleshooting procedure (1)

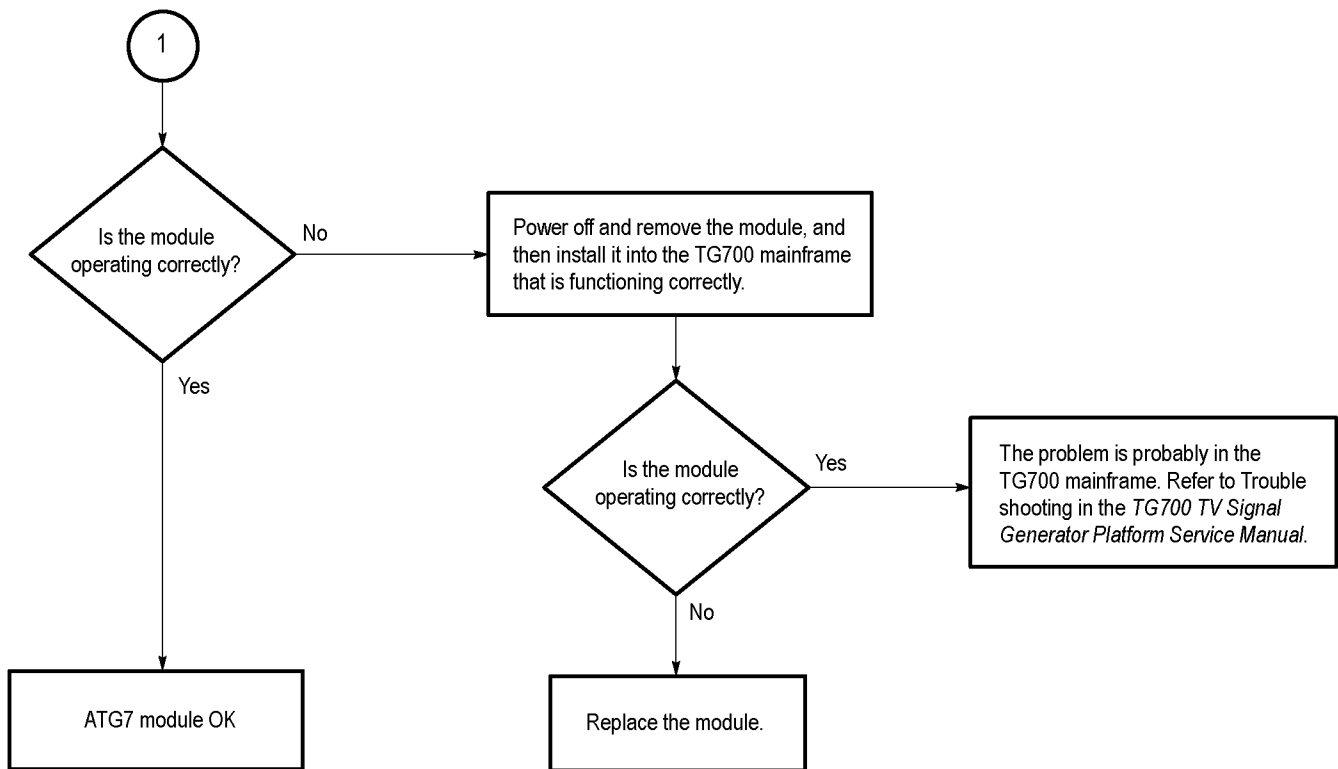


Figure 4-3: Troubleshooting procedure (2)

ATG7 Analog Test Generator Diagram

The following figure shows the ATG7 Generator module and how it interconnects with the TG700 TV Signal Generator Platform.

Diagrams showing mainframe component interconnections, such as power supply and oscillator, can be found in the *TG700 Diagram* section of this manual.

A block diagram of the ATG7 Generator module is located in the *ATG7 Theory of Operation* section. (See page 4-1.)

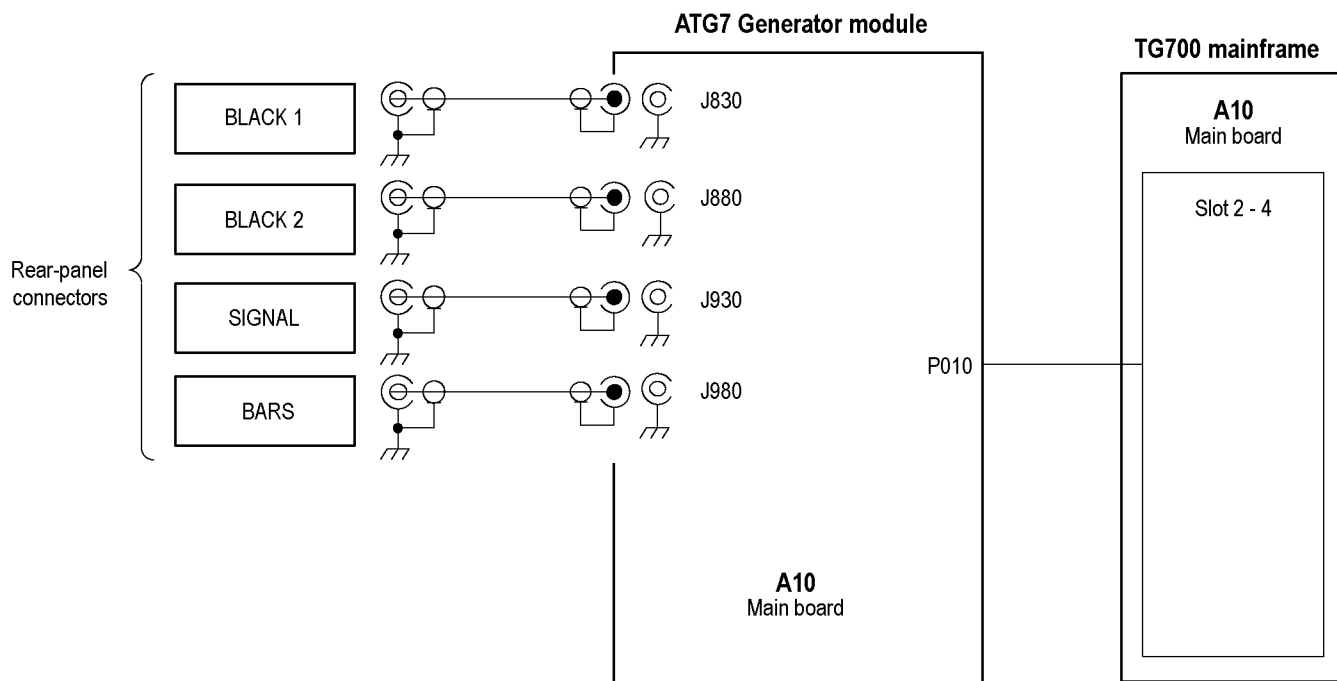


Figure 4-4: ATG7 Generator module connections

ATG7 Analog Test Generator Replaceable Parts List

This section contains a list of the replaceable modules for the ATG7 Generator module. Use this list to identify and order replacement parts. For parts ordering information or servicing information, see *Parts Ordering Information* or *Module Servicing* in the *TG700 Mainframe Replaceable Parts List* section of this manual.

Abbreviations Abbreviations conform to American National Standard ANSI Y1.1-1972.

Table 4-3: ATG Analog Test Generator – replaceable parts

Fig. & index number	Tektronix part number	Serial no. effective	Serial no. discont'd	Qty	Name & description
4-5-	116-A014-00			1	EXCHANGE MODULE:ATG7
4-5-1	441-A269-02			1	CHASSIS,MODULE AGL7:ASSY
-2	333-A427-00			1	PANEL,REAR:ATG7,AL
-3	214-4946-00			2	SPRING,CONICAL:VXI MOUNTING SCREW,0.26 MM SUS304,5.4 MML
-4	213-1129-01			2	SCREW,MACHINE:M2.5X11MM L,PAN HD,STL,N1 PL,CROSS REC & SLOTTED
-5	348-A128-00			2.5 CM	SHLD GASKET,ELEK:FINGER TYPE,5.1MM LX6.4MM W,BE-CU [97-645-02]
-6	174-B851-00			4	CABLE ASSY,RF:75OHM COAX(RG179),5.5CM L,BNC TO MCX
-7	211-A245-01			5	SCREW,MACHINE:M3X6MM L,PNH,STL,NI PL,CROSS REC,W/KOGATAMARU&LOCK WASHER
-8	334-1378-03			1	MARKER,IDENT:MKD SERIAL NO.
STANDARD ACCESSORIES					
	070-A824-XX			1	MANUAL,TECH:MODULE INSTALLATION INSTRUCTIONS
	062-A249-XX			1	SOFTWARE PACKAGE:S/W(CD-R)
OPTIONAL ACCESSORIES					
	070-A800-XX			1	MANUAL,TECH:SERVICE,TG700
	003-A041-00			1	NUTDRIVER,BOX:14MM HEX,BNC RETAINING NUT,MODIFIED 19MM

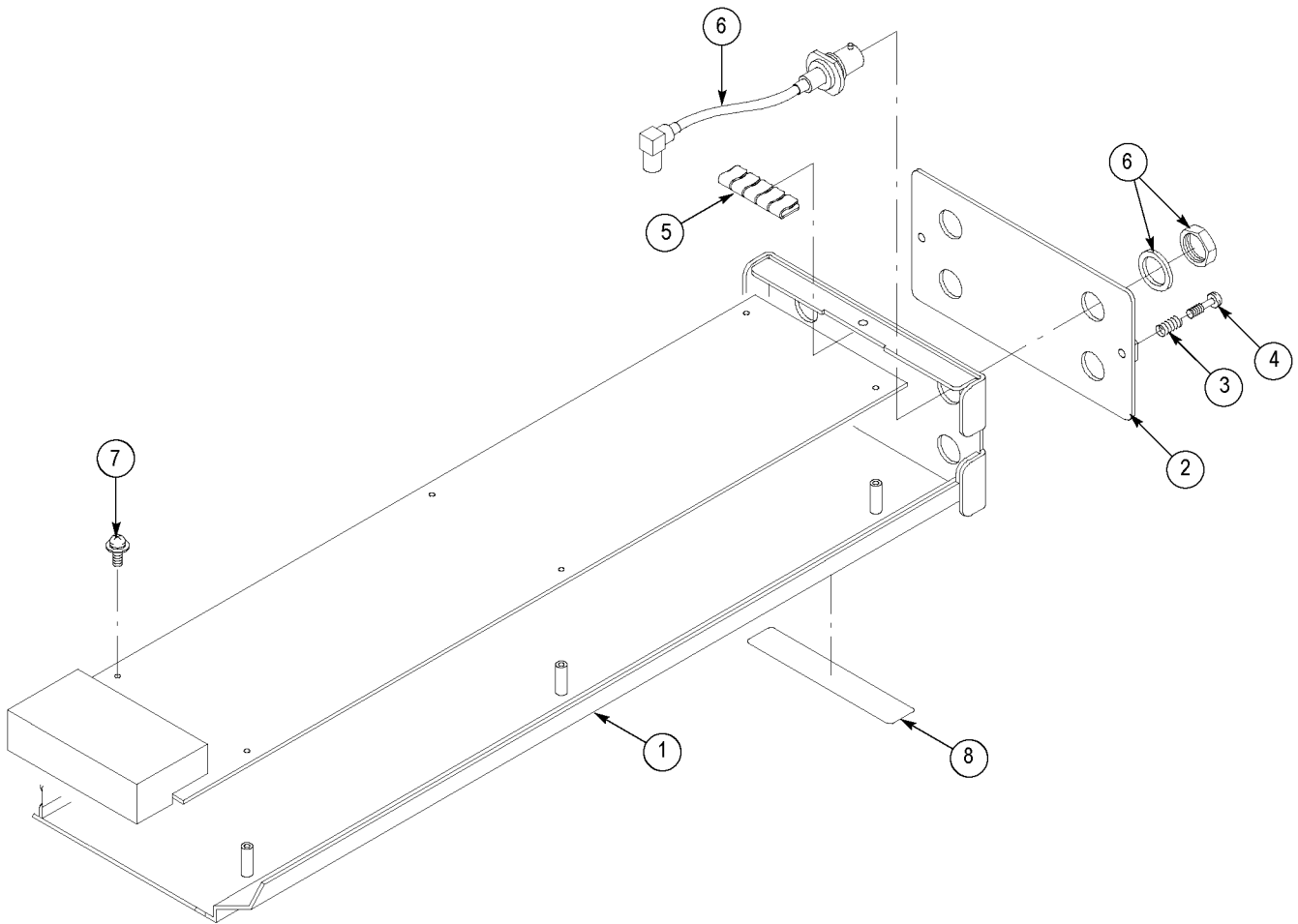


Figure 4-5: ATG7 Generator module exploded view

AVG7 Analog Video Generator

AVG7 Analog Video Generator Theory of Operation

This section describes the basic operation of the major circuit blocks in the AVG7 Generator module.

Bus Interface	This block provides the communication between the mainframe and the module circuit.
Line Memory	Line memory holds the actual sample points which define a digital signal.
Address Generator	This block consists of a frame delay, an MPU interface, a sequencer, an SDRAM controller, and a blanking data generator. It interfaces the Frame Memory and the Line Memory and controls the output sequence of the video data in these memories.
Frame Memory	Frame memory contains a series of pointers that control the order the video lines stored in the Line Memory are used to produce digital signals.
Overlay Controller	This block consists of an MPU interface and an overlay controller. It inserts data from the Overlay Memory into the Line Memory data stream to create circular patterns, ID text, and logo.
Overlay Memory	Overlay memory generates timings to multiplex the line memory data and the overlay data used for a circle, ID text, and logo overlay.
D/A Converter & Amp	This block consists of a D/A converter, two amplifiers, and a filter. It converts the digital data from the Overlay Controller to analog signal and reconstruct the signal for output.

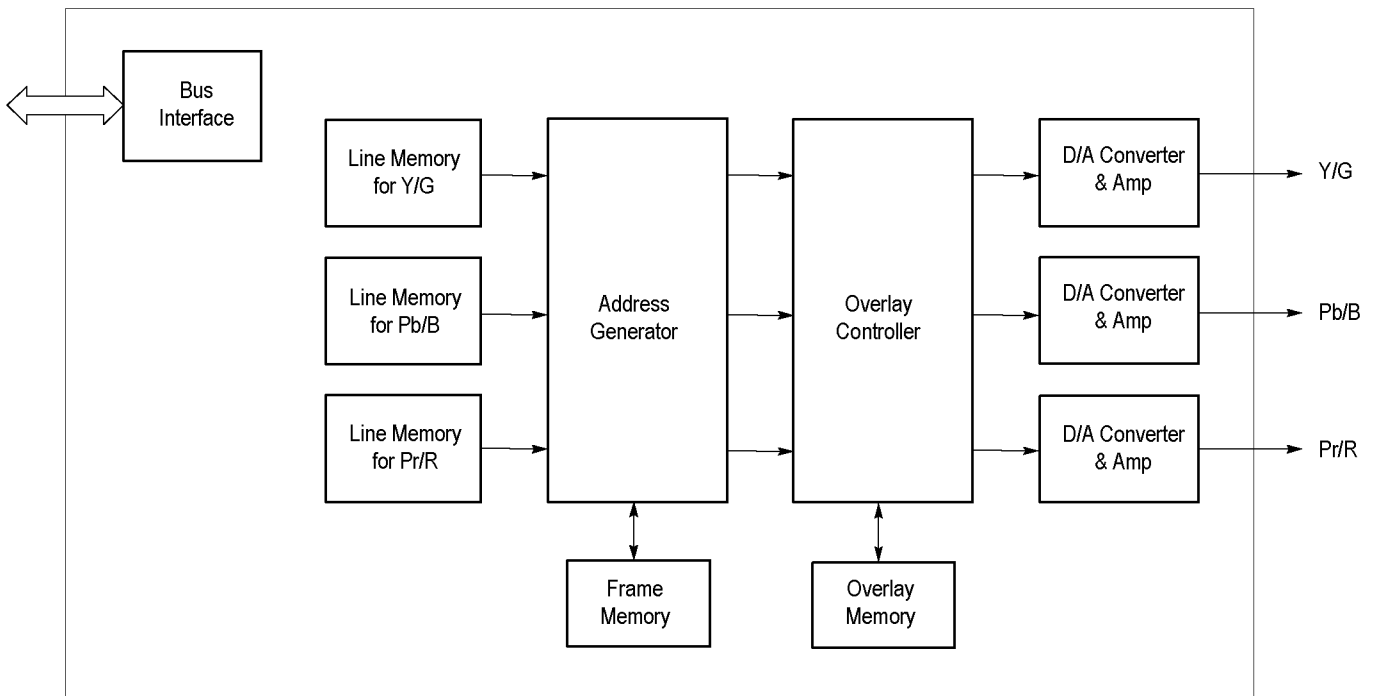


Figure 5-1: Simplified block diagram of the AVG7 Generator module

AVG7 Analog Video Generator Adjustment Procedures

This section contains information needed to adjust the AVG7 Generator module.

Adjustment in the AVG7 Generator module are for the output offset and gain, frame timing and clock timing, group delay, frequency response, and interchannel delay.

Requirements for Adjustment

Before doing the adjustment, note the following requirements:

Personnel This procedure is only to be performed by trained service technicians.

Warm-Up Period The AVG7 Generator module requires a 20 minute warm-up time in a +20 °C to +30 °C environment before it is adjusted. Adjustment done before the operating temperature has stabilized may cause errors in performance.



WARNING. To avoid potential shock, which could cause injury or death, use caution when removing the TG700 mainframe top cover with power connected.

Access When adjusting the AVG7 Generator module, remove the top cover of the TG700 mainframe. For removal and installation procedures for the top cover, refer to the *TG700 TV Signal Generator Platform Service Manual*.

NOTE. If the serial number of your instrument is B010600 and above, replace the resistor and capacitor numbers in the figures and procedures as follows:

$R6xxx \rightarrow R6xxx_1$ (for example, $R651A \rightarrow R651A_1$)

$R7xxx \rightarrow R6xxx_2$ (for example, $R751A \rightarrow R651A_2$)

$R8xxx \rightarrow R6xxx_3$ (for example, $R851A \rightarrow R651A_3$)

$C6xxx \rightarrow R6xxx_1$ (for example, $C604B \rightarrow C604B_1$)

$C7xxx \rightarrow R6xxx_2$ (for example, $C704B \rightarrow C604B_2$)

$C8xxx \rightarrow R6xxx_3$ (for example, $C804B \rightarrow C604B_3$)

Equipment Required

The following table lists the equipment required to adjust the output offset and gain, frame timing and clock timing, group delay, frequency response, and interchannel delay.

Table 5-1: Equipment required AVG7 Analog Video Generator adjustment procedures

Item	No.	Minimum requirement	Recommended equipment
TV signal generator platform	1		Tektronix TG700
Test signal generator	1		Tektronix ATG7
Oscilloscope	1	Bandwidth: 1 GHz or higher Function: Mask testing	Tektronix TDS784D Option 2C
Digital multimeter	1	5 1/2 digits	FLUKE 8842A
Peak detector amplifier	1		Tektronix part number 015-0408-00 and TM500 series power supply
Peak detector head	1		Tektronix part number 015-0413-00
Probe	2	X 10	Tektronix P6139A
75 Ω BNC cable	3	Length: 72 inches	Tektronix part number 012-0159-01
75 Ω BNC cable	1	5C-2V, 1 m	Canare DH5C01-S-SA
75 Ω feed-through termination	1		Tektronix part number 011-0103-02
75 Ω coaxial termination	1		Tektronix part number 011-0102-03
75 Ω signal adapter	2	Bandwidth: 1 GHz Amplitude precision: -3 dB	Tektronix AMT75
BNC T connector	1		Tektronix part number 103-0030-00
BNC female to dual banana adapter	1		Tektronix part number 103-0090-00
Flat blade screwdriver for adjusting C604B, C704B, and C804B	1	Bit shape: 2.2 × 0.4 mm	Murata KMDR010
BNC female-to-female connector	1		Canare BCJ-J

Output Offset and Gain Adjustment

Preparation To perform the output offset and gain adjustment, you must first remove the top cover of the **TG700** mainframe. For removal and installation procedures for the top cover, refer to the *TG700 TV Signal Generator Platform* section of this Service Manual. (See page 1-15, *Top Cover*.)

After you have removed the top cover, find the variable resistors on the AVG7 circuit board. (See Figure 5-2.)

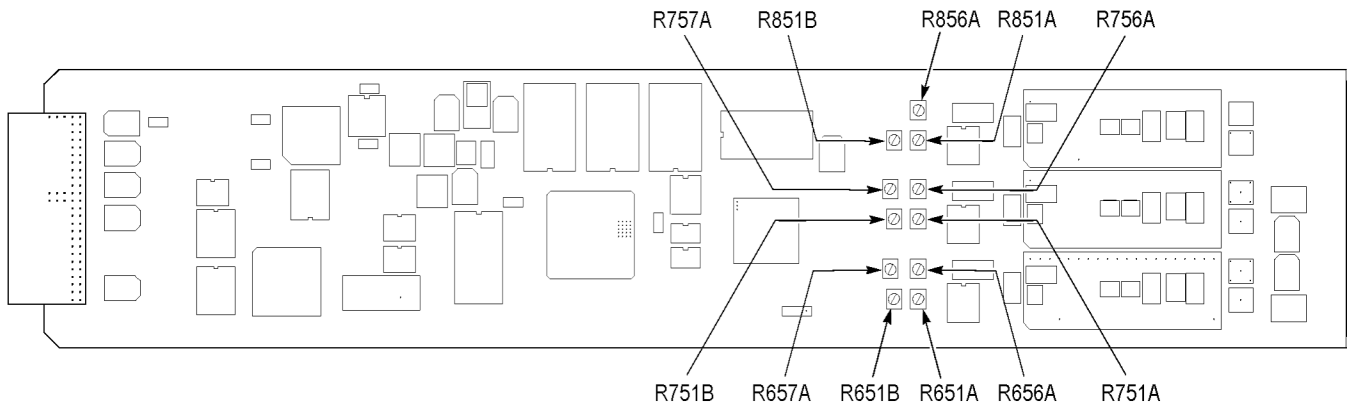


Figure 5-2: Location of the variable resistors for the output offset and gain adjustment

Procedure



WARNING. To avoid serious injury, do not touch exposed connectors or components when operating the TG700 mainframe with the top cover removed. Dangerous potentials exist at several points within the TG700 mainframe.

1. Use the 75 Ω BNC cable, BNC T connector, 75 Ω coaxial termination, and BNC female-to-dual banana adapter to connect the upper CH 1 connector on the AVG7 Generator module to the INPUT connector on the digital multimeter. (See Figure 5-3.)

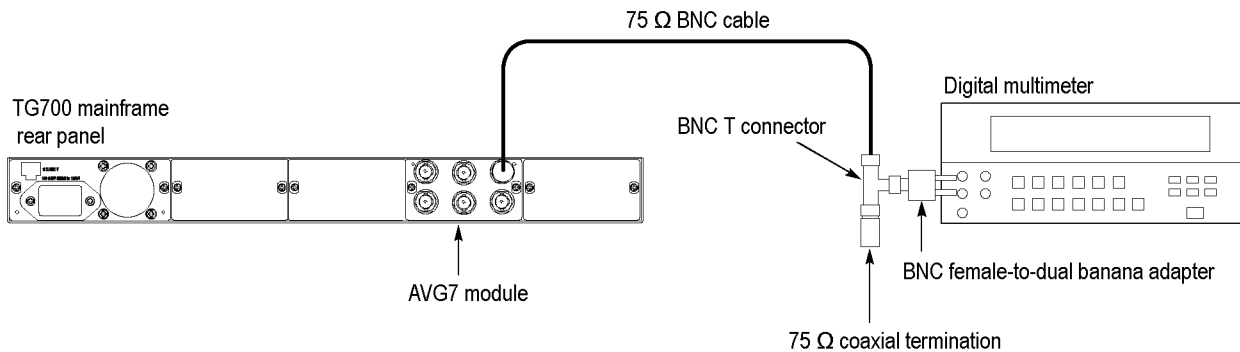


Figure 5-3: Equipment connection for adjusting the output offset and gain

2. Press the **MODULE**, **FORMAT**, and **FRONT PANEL ENABLE** buttons simultaneously, and then release the **MODULE** and **FORMAT** buttons to restart the instrument in Factory mode. Continue holding down the **FRONT PANEL ENABLE** button until the "TG700 Startup with Factory Mode." message appears.
3. Select the DAC Gain (GBR) : 0 mV calibration signal as follows:

- a. Press the **MODULE** button to display the **AVG7** main menu.
 - b. Press the up (**▲**) or down (**▼**) arrow button to select **CALIBRATION**.
 - c. Press the left (**◀**) or right (**▶**) arrow button to select **DAC Gain (GBR)**, and then press the **ENTER** button.
 - d. Press the left (**◀**) or right (**▶**) arrow button to select **0mV**, and then press the **ENTER** button.
4. Locate variable resistor R856A on the AVG7 circuit board. (See Figure 5-2.)
 5. Adjust R856A so that the output offset is 0 V \pm 1 mV.
 6. Move the BNC cable from the upper CH 1 connector to the upper CH 2 connector on the AVG7 Generator module.
 7. Locate variable resistor R756A on the AVG7 circuit board. (See Figure 5-2.)
 8. Adjust R756A so that the output offset is 0 V \pm 1 mV.
 9. Move the BNC cable from the upper CH 2 connector to the upper CH 3 connector on the AVG7 Generator module.
 10. Locate variable resistor R656A on the AVG7 circuit board. (See Figure 5-2.)
 11. Adjust R656A so that the output offset is 0 V \pm 1 mV.
 12. Move the BNC cable from the upper CH 3 connector to the upper CH 1 connector on the AVG7 Generator module.
 13. Press the left (**◀**) or right (**▶**) arrow button to select **700.397mV**, and then press the **ENTER** button.
 14. Locate variable resistors R851A (coarse) and R851B (fine) on the AVG7 circuit board. (See Figure 5-2.)
 15. Adjust R851A and R851B so that the output gain is 700.4 mV \pm 1 mV.
 16. Move the BNC cable from the upper CH 1 connector to the upper CH 2 connector on the AVG7 Generator module.
 17. Locate variable resistors R751A (coarse) and R751B (fine) on the AVG7 circuit board. (See Figure 5-2.)
 18. Adjust R751A and R751B so that the output gain is 700.4 mV \pm 1 mV.
 19. Move the BNC cable from the upper CH 2 connector to the upper CH 3 connector on the AVG7 Generator module.
 20. Locate variable resistors R651A (coarse) and R651B (fine) on the AVG7 circuit board. (See Figure 5-2.)
 21. Adjust R651A and R651B so that the output gain is 700.4 mV \pm 1 mV.
 22. Move the BNC cable from the upper CH 3 connector to the upper CH 2 connector on the AVG7 Generator module.

23. Select the DAC Gain (YPbPr) : 0 mV calibration signal for CH 2 and CH 3 as follows:
 - a. Press the **CANCEL** button to display the **CALIBRATION** menu.
 - b. Press the left (◀) or right (▶) arrow button to select **DAC Gain (YPbPr)**, and then press the **ENTER** button.
 - c. Press the left (◀) or right (▶) arrow button to select **0mV**, and then press the **ENTER** button.
24. Locate variable resistor R757A on the AVG7 circuit board. (See Figure 5-2.)
25. Adjust R757A so that the output offset is 0 V \pm 1 mV.
26. Move the BNC cable from the upper CH 2 connector to the upper CH 3 connector on the AVG7 Generator module.
27. Locate variable resistor R657A on the AVG7 circuit board. (See Figure 5-2.)
28. Adjust R657A so that the output offset is 0 V \pm 1 mV.

Frame Timing and Clock Timing Adjustments

NOTE. *The instrument with serial number B010600 and above does not require this adjustments.*

Preparation

To perform the frame timing and clock timing adjustment, you must first remove the top cover of the TG700 mainframe. For removal and installation procedures for the top cover, refer to the *TG700 TV Signal Generator Platform* section of this Service Manual. (See page 1-15, *Top Cover*.)

After you have removed the top cover, find the test points on the AVG7 circuit board. (See Figure 5-4.)

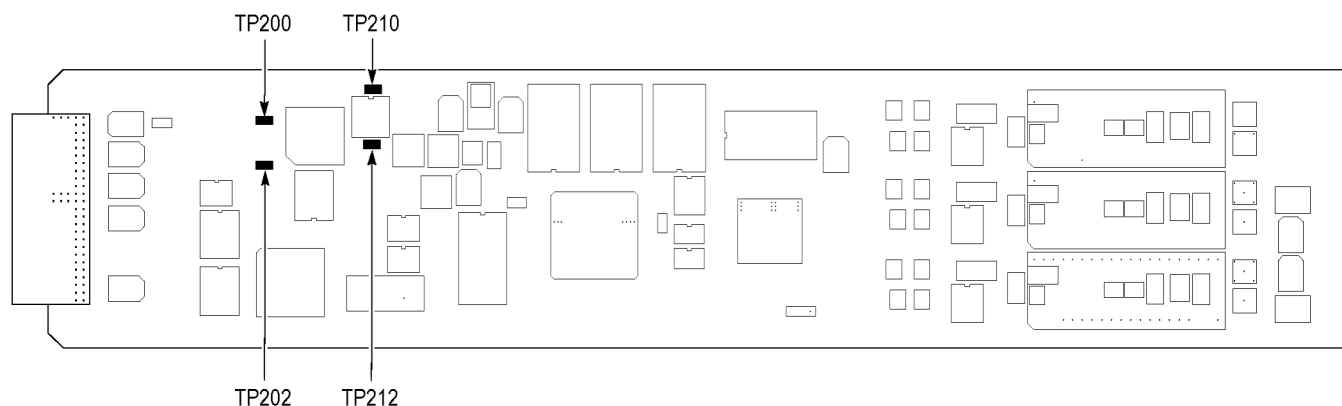


Figure 5-4: Location of the test points for the frame timing and clock timing adjustment

Procedure



WARNING. To avoid serious injury, do not touch exposed connectors or components when operating the TG700 mainframe with the top cover removed. Dangerous potentials exist at several points within the TG700 mainframe.

1. Attach the two P6139A probes to the oscilloscope CH 1 and CH 2 inputs.
2. Locate test points TP200, TP202, TP210, and TP212 on the AVG7 circuit board. (See Figure 5-4.)
3. Connect the probe tip from the oscilloscope CH 1 input to TP200.
4. Connect the probe tip from the oscilloscope CH 2 input to TP210.
5. Set the oscilloscope settings as indicated below:

Vertical scale	CH 1: 500 mV/div, CH 2: 1V/div
Vertical position	-2.0 div
Vertical offset	CH 1 : 3.3 V, CH 2 : 0 V
Horizontal scale	5 ns/div
Horizontal length	500
Trigger position	0%
Trigger source	CH 1
Trigger type	Edge
Acquisition mode	Average 4
Acquisition mode	Relative Signal OFF
Measure High-Low setup	Min-Max

6. Check that both CH 1 and CH 2 waveforms are displayed stably and then turn off the CH 1 display.
7. Select Frame 0.0 nsec from the Frame Timing calibration menu as follows:
 - a. Press the **MODULE** button to display the **AVG7** main menu.
 - b. Press the up (▲) or down (▼) arrow button to select **CALIBRATION**.
 - c. Press the left (◀) or right (▶) arrow button to select **Frame Timing**, and then press the **ENTER** button.
 - d. Press the left (◀) or right (▶) arrow button to select **Frame 0.0 nsec**, and then press the **ENTER** button.
8. Save the CH 2 waveform on the oscilloscope in **Ref1**, and then display the saved waveform.
9. Select **Delay** from the Measure menu, and then set the oscilloscope to measure the time delay between the Ref1 and CH 2 waveforms.
10. Press the up (▲) or down (▼) arrow button to select **2.0 ns**.
11. While seeing the Delay Timing value on the oscilloscope, press the left (◀) or right (▶) arrow button to adjust the delay value to 2.0 ns.
12. Press the up (▲) or down (▼) arrow button to select **10.0 ns**.
13. While seeing the Delay Timing value on the oscilloscope, press the left (◀) or right (▶) arrow button to adjust the delay value to 10.0 ns.
14. Press the up (▲) or down (▼) arrow button to select **22.0 ns**.
15. While seeing the Delay Timing value on the oscilloscope, press the left (◀) or right (▶) arrow button to adjust the delay value to 22.0 ns.
16. Press the **CANCEL** button to return the **CALIBRATION** menu.
17. Press the left (◀) or right (▶) arrow button to select **Clock Timing**, and then press the **ENTER** button.
18. Move CH 1 probe from TP200 to TP202. Move Ch 2 probe from TP210 to TP212.
19. Press the up (▲) or down (▼) arrow button to select **Clock 0.0 nsec**, and then the **ENTER** button.
20. Save the waveform on the oscilloscope in **Ref1**.
21. Press the up (▲) or down (▼) arrow button to select **2.0 ns**.
22. While seeing the Delay Timing value on the oscilloscope, press the left (◀) or right (▶) arrow button to adjust the delay value to 2.0 ns.
23. Save the waveform on the oscilloscope in **Ref1**, and then press the up (▲) or down (▼) arrow button to select **10.0 ns**.

24. While seeing the Delay Timing value on the oscilloscope, press the left (◀) or right (▶) arrow button to adjust the delay value to 8.0 ns.
25. Save the waveform on the oscilloscope in **Ref1**, and then press the up (▲) or down (▼) arrow button to select **22.0 ns**.
26. While seeing the Delay Timing value on the oscilloscope, press the left (◀) or right (▶) arrow button to adjust the delay value to 12.0 ns.
27. Press the **CANCEL** button to return to the **CALIBRATION** menu.

Group Delay Adjustment

Preparation To perform the group delay adjustment, you must first remove the top cover of the TG700 mainframe. For removal and installation procedures for the top cover, refer to the *TG700 TV Signal Generator Platform* section of this Service Manual. (See page 1-15, *Top Cover*.)

After you have removed the top cover, find the variable resistors and capacitors on the AVG7 circuit board. (See Figure 5-5.)

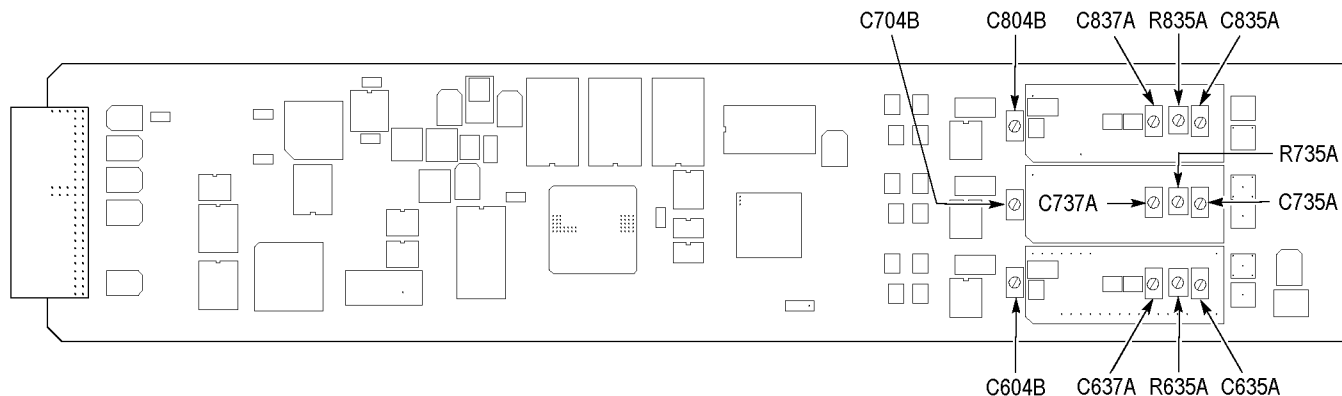


Figure 5-5: Location of the variable resistors and capacitors for the group delay adjustment

Procedure



WARNING. To avoid serious injury, do not touch exposed connectors or components when operating the TG700 mainframe with the top cover removed. Dangerous potentials exist at several points within the TG700 mainframe.

1. Use the 75 Ω BNC cable and the 75 Ω signal adapter to connect the upper CH 1 connector on the AVG7 Generator module to the CH 1 input connector on the oscilloscope. (See Figure 5-6.)
2. Use the 75 Ω BNC cable and the 75 Ω feed-through termination to connect the BLACK 1 connector on the test signal generator to the CH 2 input connector on the oscilloscope. (See Figure 5-6.)

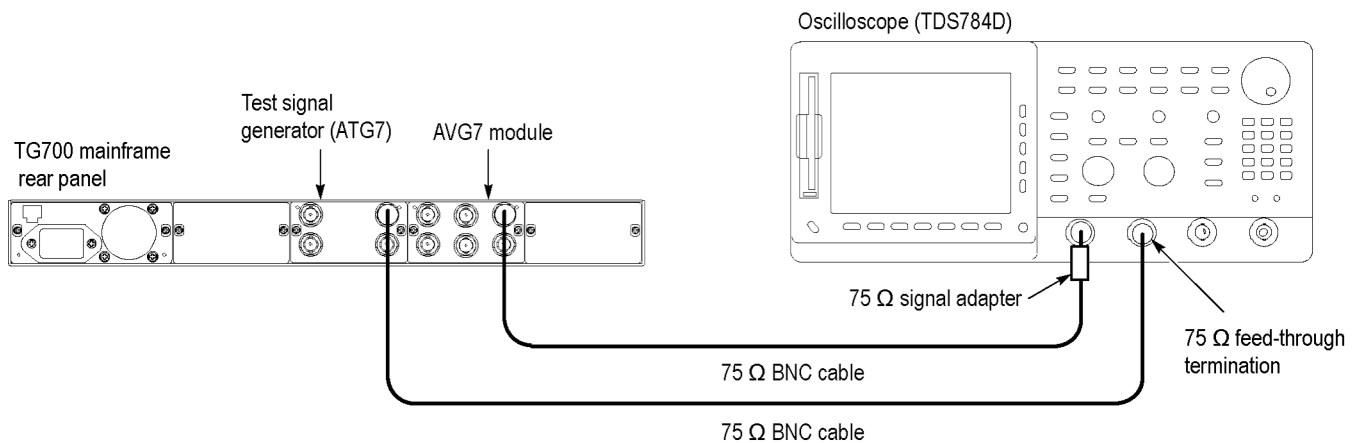


Figure 5-6: Equipment connection for adjusting the group delay

3. Set the oscilloscope settings as indicated below:

Vertical scale	CH 1: 5 mV/div, CH 2: 1.00V/div
Bandwidth	250 MHz (CH 1)
Horizontal scale	100 μ s/div
Horizontal delay time	200 ns/div
Delayed runs time	993.472 μ s (Delayed Only)
Trigger position	50%
Trigger source	CH 2
Trigger type	Edge
DPO (InstaVu)	Variable Persistence: 500 ms
CH 2 waveform	OFF

4. Set the test signal generator (ATG7 module) settings as indicated below:

Output selection	BLACK 1
Signal format	PAL
Test signal	Field Reference

5. Select the CCIR17 signal of the AVG7 Generator module as follows:

- a. Press the **MODULE** button to display the AVG7 main menu.

- b. Press the **FORMAT** button to select PAL-1, and then press the **ENTER** button.
 - c. Press the **OTHER** button to select CCIR17.
 6. Select the CH1/2/3: Composites video configuration as follows:
 - a. Press the up (**▲**) or down (**▼**) arrow button to select **CONFIGURATION**, and then press the **ENTER** button to access the CONFIGURATION submenu.
 - b. Press the left (**◀**) or right (**▶**) arrow button to select **CH1/2/3: Composites**, and then press the **ENTER** button.
 7. Locate variable capacitors C837A, C737A, C637A, C804B, C704B, C604B, C835A, C735A, and C635A, and variable resistors R835A, R735A, and R635A. (See Figure 5-6.)
 8. Rotate C837A, C737A, and C637A 180° from its initial position and set R835A, R735A, and R635A to its center position.
 9. Adjust C804B and C835A so that the baseline of the modulated 20T pulse signal is flat. (See Figure 5-7.)

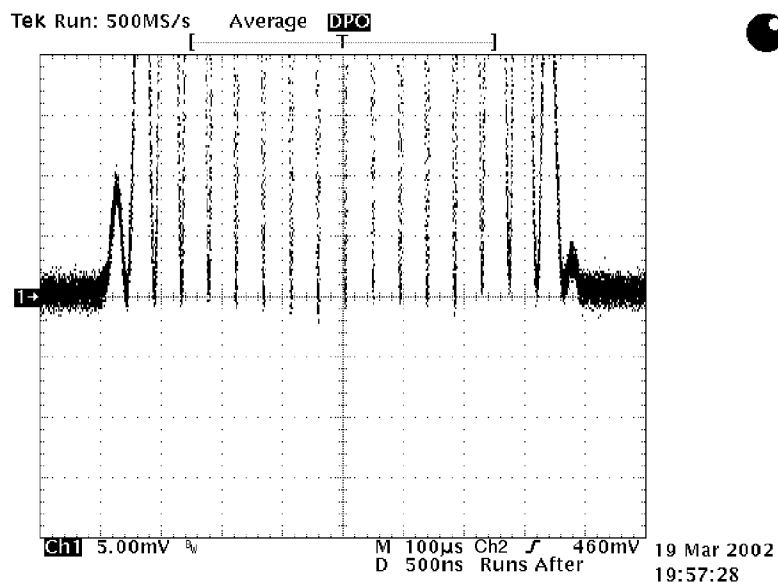


Figure 5-7: Adjusting the baseline of the modulated 20T pulse signal

10. Move the BNC cable from the upper CH 1 connector to the upper CH 2 connector on the AVG7 Generator module.
11. Adjust C704B and C735A so that the baseline of the modulated 20T pulse signal is flat.
12. Move the BNC cable from the upper CH 2 connector to the upper CH 3 connector on the AVG7 Generator module.

13. Adjust C604B and C635A so that the baseline of the modulated 20T pulse signal is flat.

Frequency Response Adjustment

Preparation To perform the frequency response adjustment, you must first remove the top cover of the TG700 mainframe. For removal and installation procedures for the top cover, refer to the *TG700 TV Signal Generator Platform* section of this Service Manual. (See page 1-15, *Top Cover*.)

After you have removed the top cover, find the variable resistors and capacitors on the AVG7 circuit board. (See Figure 5-8.)

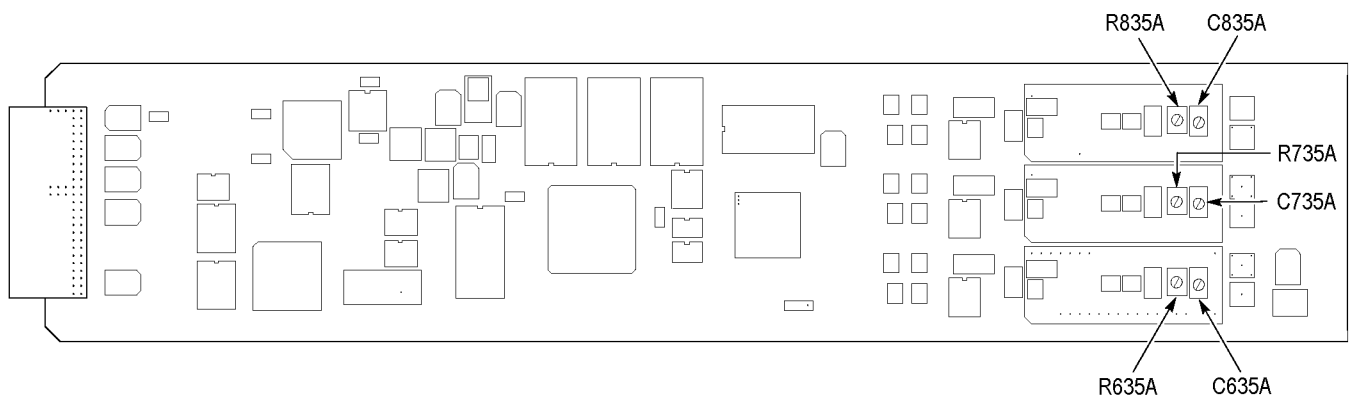


Figure 5-8: Location of the variable resistors and capacitors for the frequency response adjustment

Procedure



WARNING. To avoid serious injury, do not touch exposed connectors or components when operating the TG700 mainframe with the top cover removed. Dangerous potentials exist at several points within the TG700 mainframe.

1. Use the two 75 Ω BNC cable, peak detector head, and BNC female-to-female connector to connect the upper CH 1 connector on the AVG7 Generator module to the +INPUT connector on the peak detector amplifier. (See Figure 5-9.)
2. Use the 75 Ω BNC cable to connect the OUTPUT connector on the peak detector amplifier to the CH 1 input connector on the oscilloscope. (See Figure 5-9.)
3. Use the 75 Ω BNC cable and the 75 Ω feed-through termination to connect the BLACK 1 connector on the test signal generator to the CH 2 input connector on the oscilloscope. (See Figure 5-9.)

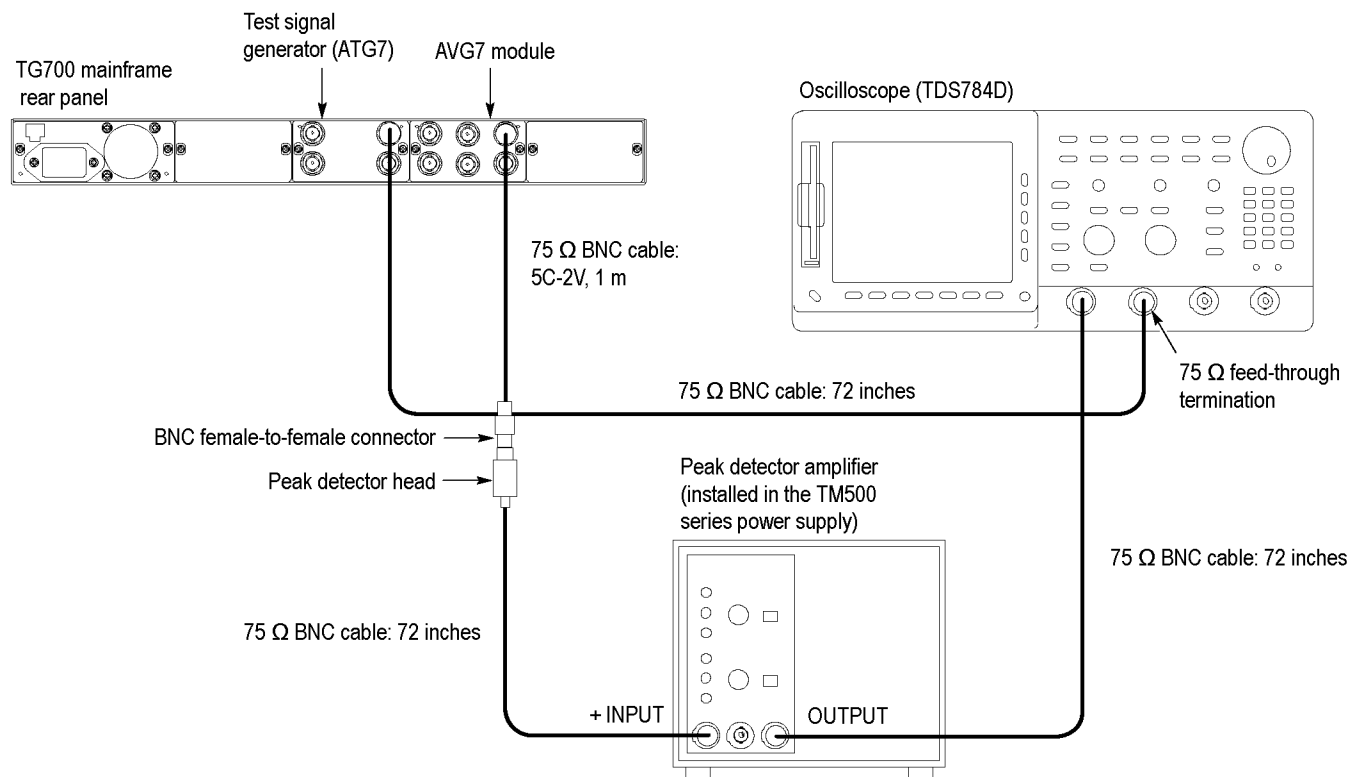


Figure 5-9: Equipment connection for adjusting the frequency response

4. Set the oscilloscope settings as indicated below:

Vertical scale	CH 1: 2 mV/div, CH 2: 1.00 V/div
Bandwidth	20 MHz (CH 1)
Horizontal scale	2 ms/div
Trigger position	10%
Trigger source	CH 2
Trigger type	Edge

Acquire menu Peak Detect

5. Set the test signal generator (ATG7 module) settings as indicated below:

Output selection	BLACK 1
Signal format	NTSC
Test signal	Field Reference

6. Press the **MODULE**, **FORMAT**, and **FRONT PANEL ENABLE** buttons simultaneously, and then release the **MODULE** and **FORMAT** buttons to re-start the instrument in Factory mode.
7. Select the 525 GBR signal format as follows:
 - a. Press the **MODULE** button to display the **AVG7** main menu.
 - b. Press the **FORMAT** button to select **525 GBR**, and then press the **ENTER** button.
 - c. Press the **COLOR BAR** button.
8. Select the DAC Test calibration signal as follows:
 - a. Press the up (▲) or down (▼) arrow button to select **CALIBRATION**.
 - b. Press the left (◀) or right (▶) arrow button to select **DAC Test**, and then press the **ENTER** button.
 - c. Press the **ENTER** button again to confirm the signal output.
9. Select the Sync ON All Channels mode as follows:
 - a. Press the up (▲) or down (▼) arrow button to select **VIDEO**, and then press the **ENTER** button to access the VIDEO submenu.
 - b. Press the up (▲) or down (▼) arrow button to select **GBR SYNC**.
 - c. Press the left (◀) or right (▶) arrow button to select **Sync ON All Channels**, and then press the **ENTER** button.
10. Locate variable capacitors C835A, C735A, and C635A, and variable resistors R835A, R735A, and R635A on the AVG7 circuit board. (See Figure 5-8.)
11. Turn the LEVEL knob on the peak detector amplifier so that the green LED lights.
12. Adjust C835A so that the signal amplitudes of 500 kHz and 5 MHz are at the same level. (See Figure 5-10.)

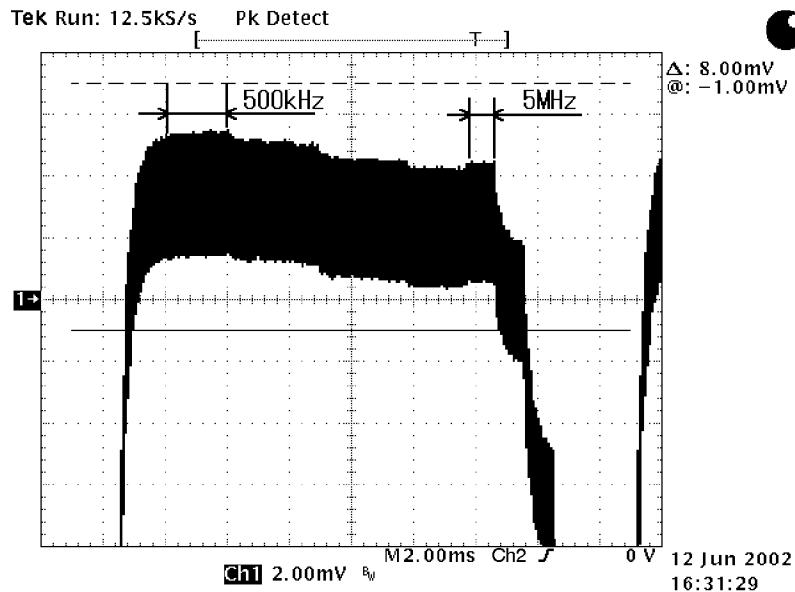


Figure 5-10: Adjusting the signal amplitudes

13. Adjust R835A so that the signal amplitudes from 500 kHz to 5 MHz are at the same level. (See Figure 5-10.)
14. Readjust C835A and R835A so that the differences of the signal amplitudes from 500 kHz to 5 MHz are within 2 mV.
15. Move the BNC cable from the upper CH 1 connector to the upper CH 2 connector on the AVG7 Generator module.
16. Adjust C735A so that the signal amplitudes of 500 kHz and 5 MHz are at the same level.
17. Adjust R735A so that the signal amplitudes from 500 kHz to 5 MHz are at the same level.
18. Readjust C735A and R735A so that the differences of the signal amplitudes from 500 kHz to 5 MHz are within 2 mV.
19. Move the BNC cable from the upper CH 2 connector to the upper CH 3 connector on the AVG7 Generator module.
20. Adjust C635A so that the signal amplitudes of 500 kHz and 5 MHz are at the same level.
21. Adjust R635A so that the signal amplitudes from 500 kHz to 5 MHz are at the same level.
22. Readjust C635A and R635A so that the differences of the signal amplitudes from 500 kHz to 5 MHz are within 2 mV.

Interchannel Delay Adjustment

Preparation To perform the interchannel adjustment, you must first remove the top cover of the TG700 mainframe. For removal and installation procedures for the top cover, refer to the *TG700 TV Signal Generator Platform Service Manual*.

After you have removed the top cover, find the variable capacitors on the AVG7 circuit board. (See Figure 5-11.)

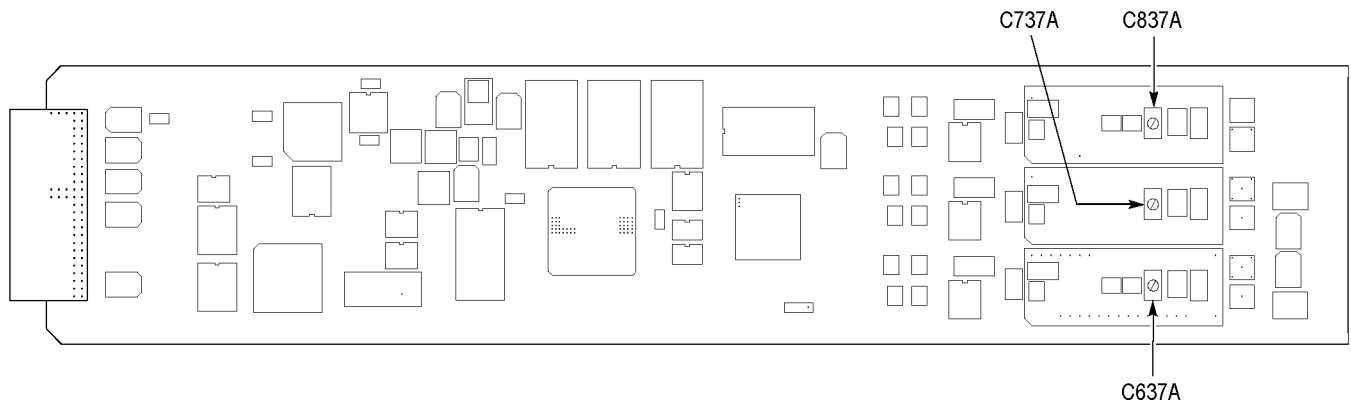


Figure 5-11: Location of the variable capacitors for the interchannel delay adjustment

Procedure



WARNING. To avoid serious injury, do not touch exposed connectors or components when operating the TG700 mainframe with the top cover removed. Dangerous potentials exist at several points within the TG700 mainframe.

1. Use the 75 Ω BNC cable and the 75 Ω signal adapter to connect the upper CH 1 connector on the AVG7 Generator module to the CH 1 input connector on the oscilloscope. (See Figure 5-12.)
2. Use the 75 Ω BNC cable and the 75 Ω signal adapter to connect the upper CH 2 connector on the AVG7 Generator module to the CH 2 input connector on the oscilloscope. (See Figure 5-12.)
3. Use the 75 Ω BNC cable and the 75 Ω feed-through termination to connect the BLACK 1 connector on the test signal generator to the CH 3 input connector on the oscilloscope. (See Figure 5-12.)

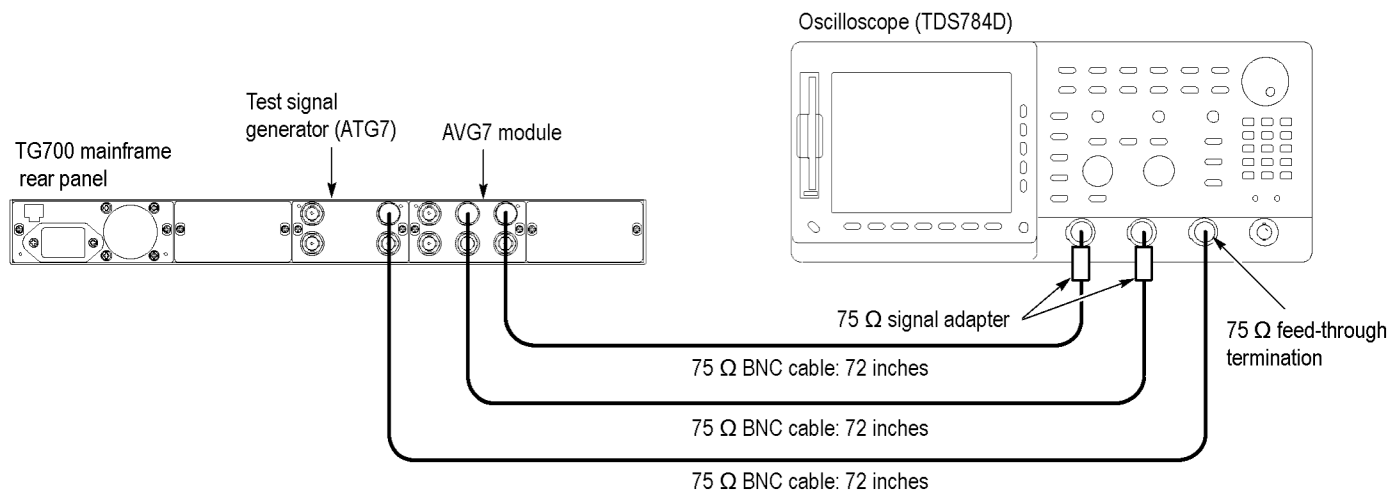


Figure 5-12: Equipment connection for adjusting the interchannel delay

4. Set the oscilloscope settings as indicated below:

Vertical scale	CH 1 and CH 2: 5 mV/div, CH 3: 1.00 V/div
Bandwidth	250 MHz (CH 1 and CH 2)
Vertical offset	0 mV (CH 1 and CH 2)
Horizontal scale	20 μs/div
Horizontal delay time	50 ns/div
Delayed runs time	6.760 μs (Delayed Only)
Trigger position	50%
Trigger source	CH 3
Trigger type	Edge
Acquire menu	Average 8
	Repetitive Signal: OFF
CH 3 WAVEFORM	OFF

5. Set the test signal generator (ATG7 module) settings as indicated below:

Output selection	BLACK 1
------------------	---------

Signal format	NTSC
Test signal	Field Reference

6. Use the CH 2 vertical position knob on the oscilloscope to align the CH 2 trace to the CH 1 trace with no signal input.
7. Press the **MODULE**, **FORMAT**, and **FRONT PANEL ENABLE** buttons simultaneously, and then release the **MODULE** and **FORMAT** buttons to restart the instrument in Factory mode. Continue holding down the **FRONT PANEL ENABLE** button until the "TG700 Startup with Factory Mode." message appears.
8. Select the DAC Test calibration signal as follows:
 - a. Press the **MODULE** button to display the **AVG7** main menu.
 - b. Press the up (▲) or down (▼) arrow button to select **CALIBRATION**.
 - c. Press the left (◀) or right (▶) arrow button to select **DAC Test**, and then press the **ENTER** button.
 - d. Press the **ENTER** button again to confirm the signal output.
9. Select the Sync ON All Channels mode as follows:
 - a. Press the up (▲) or down (▼) arrow button to select **VIDEO**, and then press the **ENTER** button to access the VIDEO submenu.
 - b. Press the up (▲) or down (▼) arrow button to select **GBR SYNC**.
 - c. Press the left (◀) or right (▶) arrow button to select **Sync ON All Channels**, and then press the **ENTER** button.
10. Adjust R756A so that the CH 2 blanking level is aligned to the CH 1 blanking level.
11. Move the BNC cable from the CH 2 connector to the CH 3 connector on the AVG7 Generator module.
12. Adjust R656A so that the CH 3 blanking level is aligned to the CH 1 blanking level.
13. Change the oscilloscope settings as follows:

Vertical offset	-150 mV (CH 1 and CH 2)
Horizontal delay time	2 ns/div
Delayed runs time	6.224 μs (Delayed Only)

14. Check the time delay between the CH 1 and CH 3 signals and then perform the following steps:
 - a. If the CH 1 signal is delayed from the CH 3 signal, move the BNC cable from the CH 3 connector to the CH 2 connector on the AVG7 Generator module.
 - b. If the CH 3 signal is delayed from the CH 1 signal, move the BNC cable from the CH 1 connector to the CH 2 connector on the AVG7 Generator module.
15. Using the most delayed signal as a reference, adjust the following variable capacitors so that the other signals are delayed within 0.5 ns from the most delayed signal:

CH 1 output	C837A
CH 2 output	C737A
CH 3 output	C637A

Frequency Response Confirmation

After you have performed the group delay adjustment, be sure to check that the frequency response meets the specifications.

- Procedure**
1. Use the equipment connection and controls from the frequency response adjustment. (See page 5-13.)
 2. Check that the differences of each signal amplitude from 500 kHz to 5 MHz are less than or equal to 2 mV. If necessary, readjust the following variable resistors and capacitors:

CH 1 output	C835A and R835A
CH 2 output	C735A and R735A
CH 3 output	C635A and R637A

Interchannel Delay Confirmation

After you have performed the group delay adjustment, be sure to check that the interchannel delay meets the specifications.

- Procedure**
1. Use the equipment connection and controls from the interchannel adjustment.(See page 5-17.)
 2. Check that the time delay among the channel outputs is less than or equal to 1 ns. If necessary, readjust the following variable capacitors:

CH 1 output	C837A
CH 2 output	C737A
CH 3 output	C637A

AVG7 Analog Video Generator Maintenance

This section contains instructions and procedures for maintaining the AVG7 Generator module. Before following these procedures, read *Maintenance for Generators and Modules*. (See page xix.)

The following information can be found in this section:

- Removal and Replacement (See page 5-23.)
- Troubleshooting (See page 5-25.)

If the instrument does not function properly, troubleshooting and corrective measures should be taken immediately to prevent additional problems.

NOTE. *Contact your local Tektronix representative for information on where to return your instrument if it requires repair during the warranty period.*

AVG7 Analog Video Generator Removal and Replacement

This section contains the instructions on how you can remove and replace the customer replaceable parts of the AVG7 Generator module.

Tools Required

The following tools are required to perform the removal and replacement procedures:

Table 5-2: Required tools for removal and replacement of AVG7 Analog Video Generator

Name	Description	Tektronix part number
Screwdriver handle	Accepts Phillips-driver bits	
#1 Phillips tip	Phillips-driver bit for #1 size screw heads	
#2 Phillips tip	Phillips-driver bit for #2 size screw heads	
Nut driver, 14 mm	Special nut driver for removing the BNC connectors of the AVG7 module	003-A041-00

Replacing the Rear-Panel Connectors and Chassis

It is usually not necessary to replace the rear-panel connectors or chassis. However, if a connector or chassis becomes damaged, you can replace it.

Replacing the Rear-Panel Connectors

Perform the following procedure to replace the rear-panel connector:

1. Use the *Removing a Module* section to remove the AVG7 Generator module from the mainframe. (See page 1-41, *Removing a Module*.)
2. Disconnect the cables at J830A (upper CH 1), J830B (lower CH 1), J730A (upper CH 2), J730B (lower CH 2), J630A (upper CH 3), and J630B (lower CH 3) on the AVG7 circuit board.
3. Use the 14 mm nut driver to remove the nut securing the damaged connector to the chassis. Pull the connector away.
4. Perform steps 2 and 3 in reverse order to replace the connector.

Replacing the Chassis

Perform the following procedure to replace the chassis:

1. Use the 14 mm nut driver to remove the nuts from each of the rear-panel connectors.
2. Use a screwdriver with a #2 Phillips tip to remove the five screws securing the AVG7 circuit board to the chassis.
3. Lift the circuit board up and away from the chassis, and then place it on a static free surface.
4. Set the replacement chassis on a firm, flat, static-free work surface.
5. Carefully place the circuit board in place on the chassis.
6. Use a screwdriver with a #2 Phillips tip to install the five screws securing the circuit board to the chassis.
7. Apply the rear panel to the chassis, and then install all the rear-panel connectors to the chassis.

AVG7 Analog Video Generator Troubleshooting

This section contains instructions and procedures for troubleshooting the AVG7 Generator module. These procedures will help you decide whether it is necessary to replace your module.

Equipment Required

The equipment listed in the following table is required for troubleshooting.

Table 5-3: Equipment required for AVG7 Analog Video generator troubleshooting

Equipment description	Minimum requirements/example
Screwdriver handle	Accept Phillips-driver bits
#1 Phillips tip	Phillips-driver bit for #1 size screw heads
TG700 mainframe	A TG700 mainframe that is functioning correctly

Backing up the Instrument Settings

Before you begin the troubleshooting procedures, create a preset to save your instrument settings as follows:

1. Press the **MODULE** button until the mainframe main menu (TG700: PRESET) appears.
2. Press the **ENTER** button to access the PRESET submenu.
3. Press the up (▲) or down (▼) arrow button to select **SAVE**.
4. Press the left (◀) or right (▶) arrow button to select a preset number to save instrument settings.
5. Press the **ENTER** button to save the current instrument settings to the new preset.

After the problem is solved, recall the preset you created.

Troubleshooting Trees

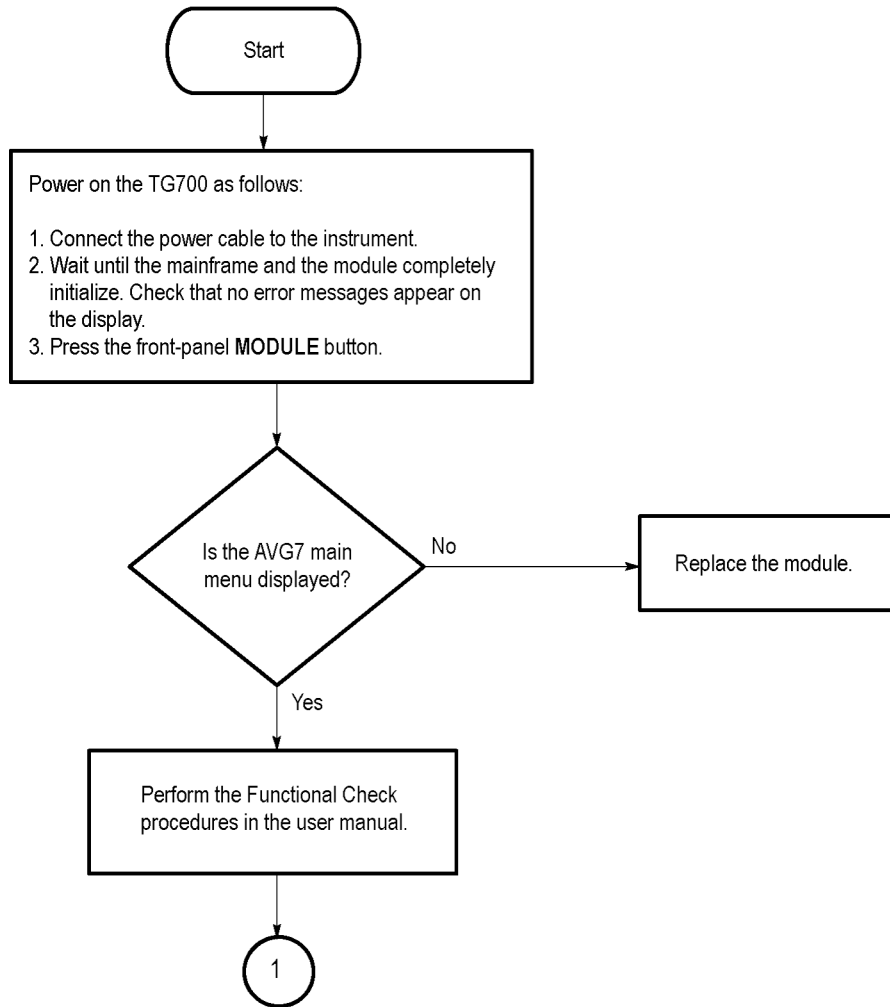


Figure 5-13: Troubleshooting procedure (1)

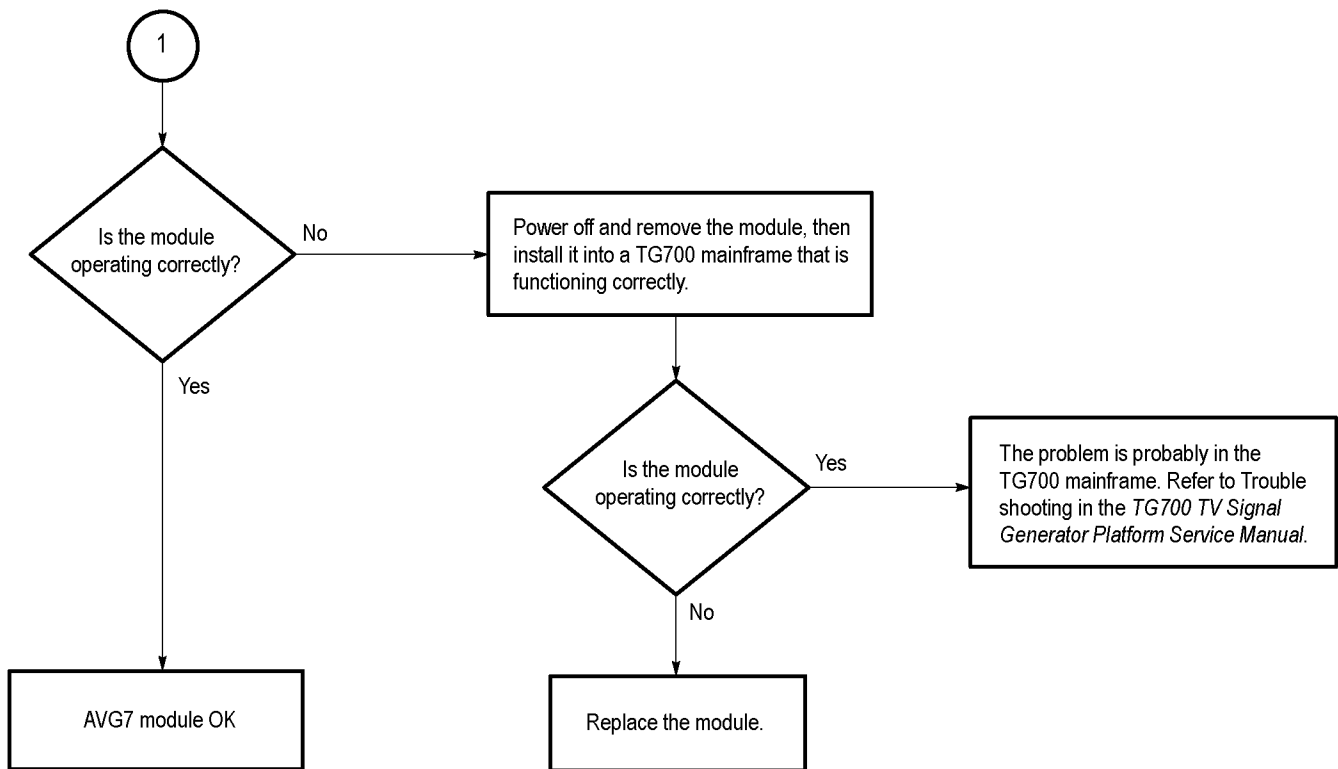


Figure 5-14: Troubleshooting procedure (2)

AVG7 Analog Video Generator Diagram

The following figure shows the AVG7 Generator module and how it interconnects with the TG700 TV Signal Generator Platform.

Diagrams showing mainframe component interconnections, such as power supply and oscillator, can be found in the *TG700 Diagram* section of this manual.

A block diagram of the AVG7 Generator module is located in the *AVG7 Theory of Operation* section. (See page 5-1.)

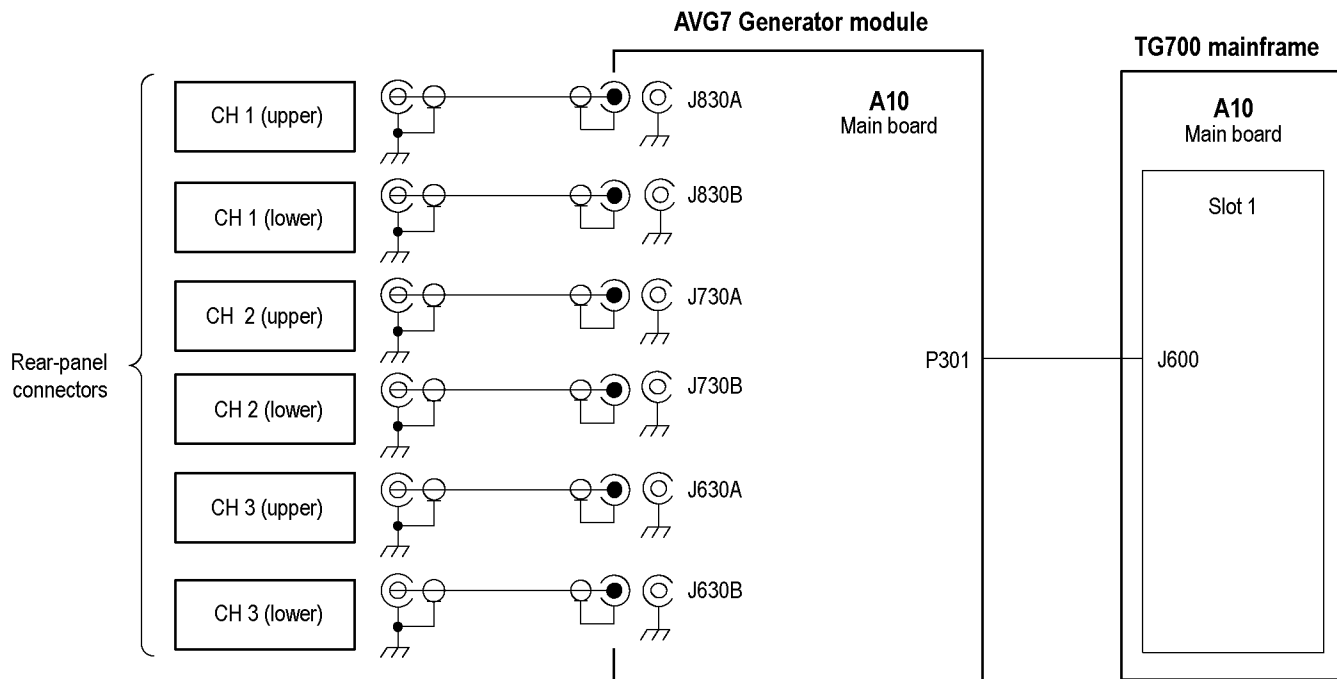


Figure 5-15: AVG7 Generator module connections

AVG7 Analog Video Generator Replaceable Parts List

This section contains a list of the replaceable modules for the AVG7 Generator module. Use this list to identify and order replacement parts. For parts ordering information or servicing information, see *Parts Ordering Information* or *Module Servicing* in the *TG700 Mainframe Replaceable Parts List* section of this manual.

Abbreviations Abbreviations conform to American National Standard ANSI Y1.1-1972.

Table 5-4: AVG7 Analog Video Generator – replaceable parts

Fig. & index number	Tektronix part number	Serial no. effective	Serial no. discont'd	Qty	Name & description
5-16-	116-A017-00			1	EXCHANGE MODULE:AVG7
5-16-1	441-A269-02			1	CHASSIS,MODULE AGL7:ASSY
-2	333-A453-00			1	PANEL,REAR:AVG7,AL
-3	214-4946-00			2	SPRING,CONICAL:VXI MOUNTING SCREW,0.26 MM SUS304,5.4 MML
-4	213-1129-01			2	SCREW,MACHINE:M2.5X11MM L,PAN HD,STL,N1 PL,CROSS REC & SLOTTED
-5	348-A128-00			2.5 CM	SHLD GASKET,ELEK:FINGER TYPE,5.1MM LX6.4MM W,BE-CU [97-645-02]
-6	174-B851-00			6	CABLE ASSY,RF:75OHM COAX(RG179),5.5CM L,BNC TO MCX
-7	211-A245-01			5	SCREW,MACHINE:M3X6MM L,PNH,STL,NI PL,CROSS REC,W/KOGATAMARU&LOCK WASHER
-8	334-1378-03			1	MARKER,IDENT:MKD SERIAL NO.
STANDARD ACCESSORIES					
	070-A824-XX			1	MANUAL,TECH:MODULE INSTALLATION INSTRUCTIONS
	062-A249-XX			1	SOFTWARE PACKAGE:S/W(CD-R)
OPTIONAL ACCESSORIES					
	070-A800-XX			1	MANUAL,TECH:SERVICE,TG700
	003-A041-00			1	NUTDRIVER,BOX:14MM HEX,BNC RETAINING NUT,MODIFIED 19MM

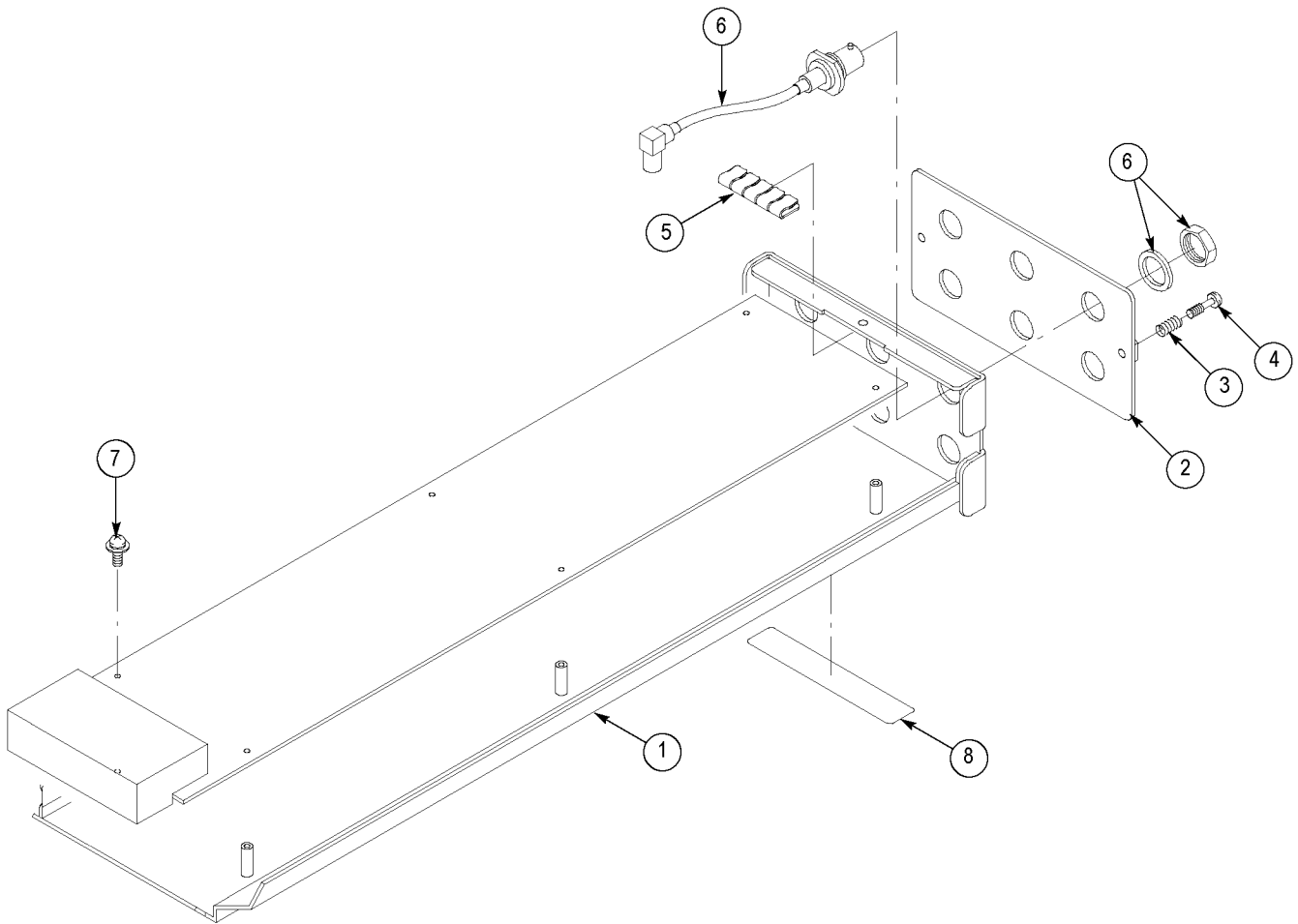


Figure 5-16: AVG7 Generator module exploded view

AWVG7 Analog Wideband Video Generator

AWVG7 Analog Wideband Video Generator Theory of Operation

This section describes the basic operation of the major circuit blocks in the AWVG7 Generator module.

Bus Interface	This block provides the communication between the mainframe and the module circuit.
Line Memory	Line memory holds the actual sample points which define a digital signal.
Address Generator	This block consists of a frame delay, an MPU interface, a sequencer, an SDRAM controller, and a blanking data generator. It interfaces the Frame Memory and the Line Memory and controls the output sequence of the video data in these memories.
Frame Memory	Frame memory contains a series of pointers that control the order the video lines stored in the Line Memory are used to produce digital signals.
Overlay Controller	This block consists of an MPU interface and an overlay controller. It inserts data from the Overlay Memory into the Line Memory data stream to create circular patterns, ID text, and logo.
Overlay Memory	Overlay memory generates timings to multiplex the line memory data and the overlay data used for a circle, ID text, and logo overlay.
D/A Converter & Amp	This block consists of a D/A converter, two amplifiers, and a filter. It converts the digital data from the Overlay Controller to analog signal and reconstruct the signal for output.

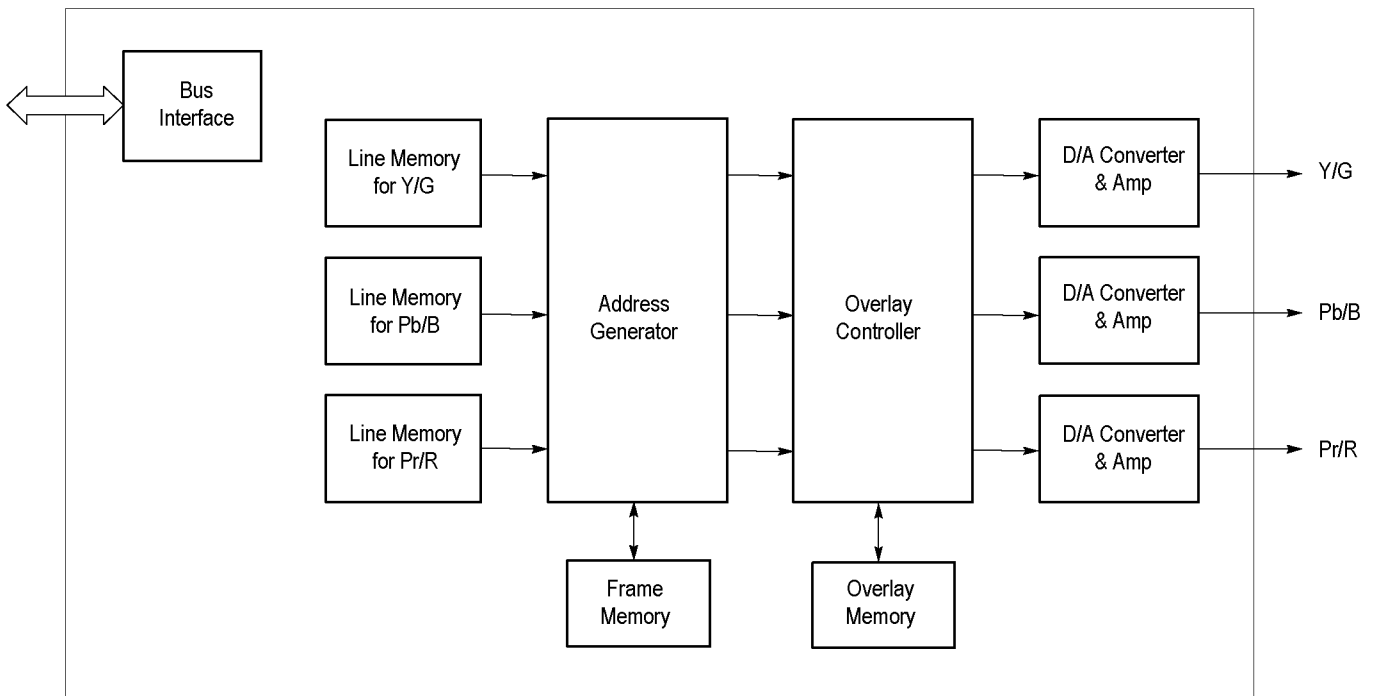


Figure 6-1: Simplified block diagram of the AWVG7 Generator module

AWVG7 Analog Wideband Video Generator Adjustment Procedures

This section contains information needed to adjust the AWVG7 Generator module.

Adjustment in the AWVG7 Generator module are for the output offset and gain, frame timing and clock timing, and frequency response.

Requirements for Adjustment

Personnel This procedure is only to be performed by trained service technicians.

Warm-Up Period The AWVG7 Generator module requires a 20 minute warm-up time in a +20 °C to +30 °C environment before it is adjusted. Adjustment done before the operating temperature has stabilized may cause errors in performance.



WARNING. To avoid potential shock, use caution when removing TG700 mainframe top cover with power connected.

Access When adjusting the AWVG7 Generator module, you need to remove the top cover of the TG700 mainframe. For removal and installation procedures for the top cover, refer to the *TG700 TV Signal Generator Platform Service Manual*

NOTE. If the serial number of your instrument is B010600 and above, replace the resistor and capacitor numbers in the figures and procedures as follows:

$R6xxx \rightarrow R6xxx_1$ (for example, $R651A \rightarrow R651A_1$)

$R7xxx \rightarrow R6xxx_2$ (for example, $R751A \rightarrow R651A_2$)

$R8xxx \rightarrow R6xxx_3$ (for example, $R851A \rightarrow R651A_3$)

$C6xxx \rightarrow R6xxx_1$ (for example, $C604B \rightarrow C604B_1$)

$C7xxx \rightarrow R6xxx_2$ (for example, $C704B \rightarrow C604B_2$)

$C8xxx \rightarrow R6xxx_3$ (for example, $C804B \rightarrow C604B_3$)

Equipment Required

The following table lists the equipment required to adjust the output offset and gain, frame timing and clock timing, and frequency response.

Table 6-1: Equipment required for AWVG7 Analog Wideband Video Generator adjustment procedures

Item	No.	Minimum requirement	Recommended equipment
TV signal generator platform	1		Tektronix TG700
Oscilloscope	1	Bandwidth: 1 GHz or higher Function: Mask testing	Tektronix TDS784D Option 2C
Digital multimeter	1	5 1/2 digits	FLUKE 8842A
Peak detector amplifier	1		Tektronix part number 015-0408-00 and TM500 series power supply
Peak detector head	1		Tektronix part number 015-0413-00
Probe	2	X 10	Tektronix P6139A
75 Ω BNC cable	2	Length: 72 inches	Tektronix part number 012-0159-01
75 Ω BNC cable	1	5C-2V, 1 m	Canare DH5C01-S-SA
75 Ω feed-through termination	1		Tektronix part number 011-0103-02
75 Ω coaxial termination	1		Tektronix part number 011-0102-03
BNC T connector	1		Tektronix part number 103-0030-00
BNC female-to-dual banana adapter	1		Tektronix part number 103-0090-00
BNC female-to-female connector	1		Canare BCJ-J
Flat blade screwdriver for adjusting C604B, C704B, and C804B	1	Bit shape: 0.8X0.35 mm	Murata KMDR060

Output Offset and Gain Adjustment

Preparation To perform the output offset and gain adjustment, you must first remove the top cover of the TG700 mainframe. For removal and installation procedures for the top cover, refer to the *TG700 TV Signal Generator Platform* section of this Service Manual. (See page 1-15, *Top Cover*.)

After you have removed the top cover, find the variable resistors on the AWVG7 circuit board. (See Figure 6-2.)

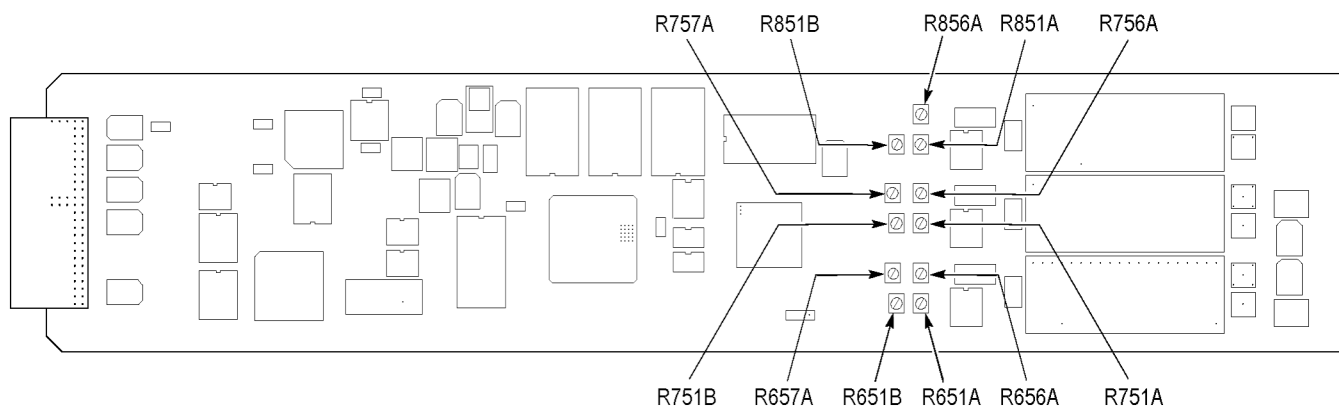


Figure 6-2: Location of the variable resistors for the output offset and gain adjustment

Procedure



WARNING. To avoid serious injury, do not touch exposed connectors or components when operating the TG700 mainframe with the top cover removed. Dangerous potentials exist at several points within the TG700 mainframe.

1. Use the 75 Ω BNC cable, BNC T connector, 75 Ω coaxial termination, and BNC female-to-dual banana adapter to connect the upper CH 1 connector on the AWVG7 Generator module to the INPUT connector on the digital multimeter. (See Figure 6-3.)

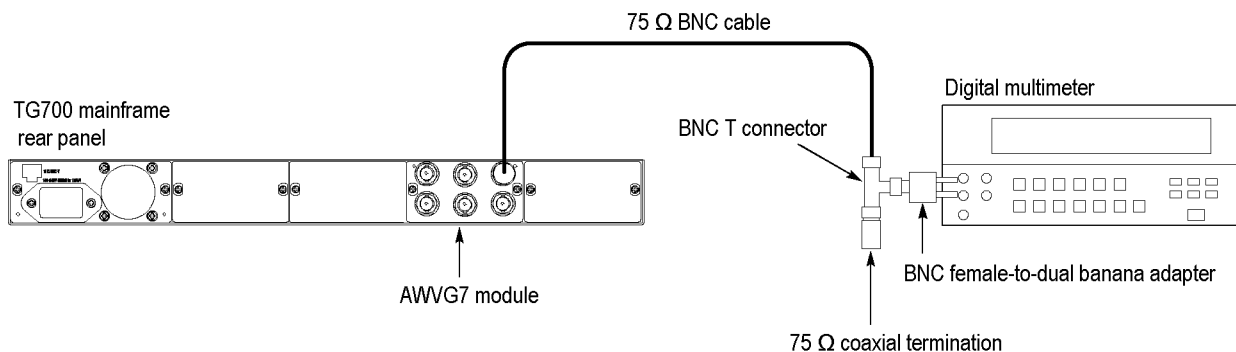


Figure 6-3: Equipment connection for adjusting the output offset and gain

2. Press the **MODULE**, **FORMAT**, and **FRONT PANEL ENABLE** buttons simultaneously, and then release the **MODULE** and **FORMAT** buttons to restart the instrument in Factory mode. Continue holding down the **FRONT PANEL ENABLE** button until the "TG700 Startup with Factory Mode." message appears.
3. Select the DAC Gain (GBR) : 0 mV calibration signal as follows:

- a. Press the **MODULE** button to display the **AWVG7** main menu.
 - b. Press the up (**▲**) or down (**▼**) arrow button to select **CALIBRATION**.
 - c. Press the left (**◀**) or right (**▶**) arrow button to select **DAC Gain (GBR)**, and then press the **ENTER** button.
 - d. Press the left (**◀**) or right (**▶**) arrow button to select **0mV**, and then press the **ENTER** button.
4. Locate variable resistor R856A on the AWVG7 circuit board. (See Figure 6-2.)
 5. Adjust R856A so that the output offset is $0\text{ V} \pm 1\text{ mV}$.
 6. Move the BNC cable from the upper CH 1 connector to the upper CH 2 connector on the AWVG7 Generator module.
 7. Locate variable resistor R756A on the AWVG7 circuit board. (See Figure 6-2.)
 8. Adjust R756A so that the output offset is $0\text{ V} \pm 1\text{ mV}$.
 9. Move the BNC cable from the upper CH 2 connector to the upper CH 3 connector on the AWVG7 Generator module.
 10. Locate variable resistor R656A on the AWVG7 circuit board. (See Figure 6-2.)
 11. Adjust R656A so that the output offset is $0\text{ V} \pm 1\text{ mV}$.
 12. Move the BNC cable from the upper CH 3 connector to the upper CH 1 connector on the AWVG7 Generator module.
 13. Press the left (**◀**) or right (**▶**) arrow button to select **700.397mV**, and then press the **ENTER** button.
 14. Locate variable resistors R851A (coarse) and R851B (fine) on the AWVG7 circuit board. (See Figure 6-2.)
 15. Adjust R851A and R851B so that the output gain is $700.4\text{ mV} \pm 1\text{ mV}$.
 16. Move the BNC cable from the upper CH 1 connector to the upper CH 2 connector on the AWVG7 Generator module.
 17. Locate variable resistors R751A (coarse) and R751B (fine) on the AWVG7 circuit board. (See Figure 6-2.)
 18. Adjust R751A and R751B so that the output gain is $700.4\text{ mV} \pm 1\text{ mV}$.
 19. Move the BNC cable from the upper CH 2 connector to the upper CH 3 connector on the AWVG7 Generator module.
 20. Locate variable resistors R651A (coarse) and R651B (fine) on the AWVG7 circuit board. (See Figure 6-2.)
 21. Adjust R651A and R651B so that the output gain is $700.4\text{ mV} \pm 1\text{ mV}$.

22. Move the BNC cable from the upper CH 3 connector to the upper CH 2 connector on the AWVG7 Generator module.
23. Select the DAC Gain (YPbPr) : 0 mV calibration signal for CH 2 and CH 3 as follows:
 - a. Press the **CANCEL** button to display the **CALIBRATION** menu.
 - b. Press the left (◀) or right (▶) arrow button to select **DAC Gain (YPbPr)**, and then press the **ENTER** button.
 - c. Press the left (◀) or right (▶) arrow button to select **0mV**, and then press the **ENTER** button.
24. Locate variable resistor R757A on the AWVG7 circuit board. (See Figure 6-2.)
25. Adjust R757A so that the output offset is 0 V ±1 mV.
26. Move the BNC cable from the upper CH 2 connector to the upper CH 3 connector on the AWVG7 Generator module.
27. Locate variable resistor R657A on the AWVG7 circuit board. (See Figure 6-2.)
28. Adjust R657A so that the output offset is 0 V ±1 mV.

Frame Timing and Clock Timing Adjustments

NOTE. *The instrument with serial number B010600 and above does not require this adjustments.*

Preparation To perform the frame timing and clock timing adjustment, you must first remove the top cover of the TG700 mainframe. For removal and installation procedures for the top cover, refer to the *TG700 TV Signal Generator Platform Service Manual*.

After you have removed the top cover, find the test points on the AWVG7 circuit board. (See Figure 6-4.)

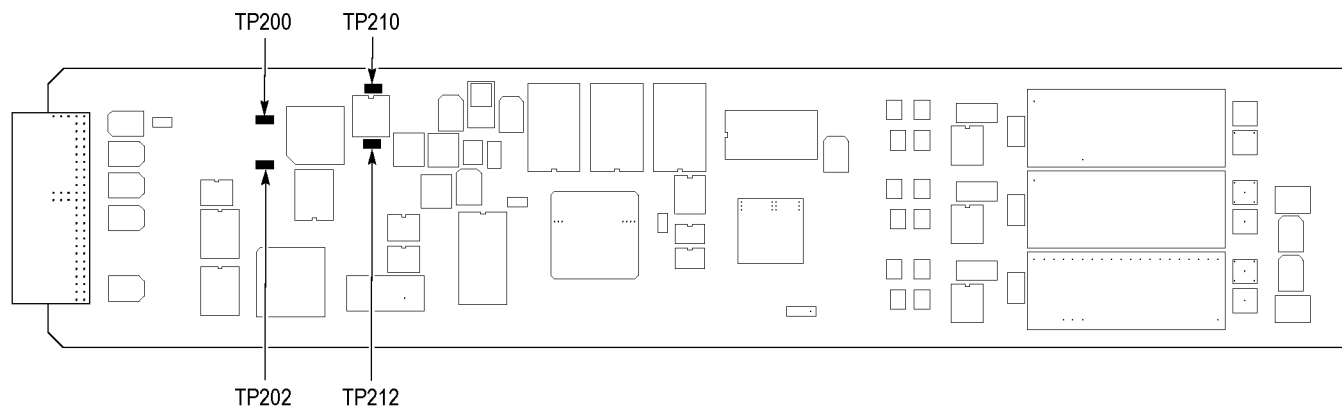


Figure 6-4: Location of the test points for the frame timing and clock timing adjustment

Procedure



WARNING. To avoid serious injury, do not touch exposed connectors or components when operating the TG700 mainframe with the top cover removed. Dangerous potentials exist at several points within the TG700 mainframe.

1. Attach the two P6139A probes to the oscilloscope CH 1 and CH 2 inputs.
2. Locate test points TP200, TP202, TP210, and TP212 on the AWVG7 circuit board. (See Figure 6-4.)
3. Connect the probe tip from the oscilloscope CH 1 input to TP200.
4. Connect the probe tip from the oscilloscope CH 2 input to TP202.
5. Set the oscilloscope settings as indicated below:

Vertical scale	CH 1: 500 mV/div, CH 2: 1V/div
Vertical position	-2.0 div
Vertical offset	CH 1: 3.3 V, CH 2: 0 V
Horizontal scale	5 ns/div
Horizontal length	500
Trigger position	0%
Trigger source	CH 1
Trigger type	Edge
Acquisition mode	Average 4
Acquisition mode	Relative Signal OFF
Measure High-Low setup	Min-Max

6. Check that both the CH 1 and CH 2 waveforms are displayed stably, and then turn off the CH 1 display.
7. Select **Frame 0.0 nsec** from the Frame Timing calibration menu as follows:
 - a. Press the **MODULE** button to display the **AWVG7** main menu.
 - b. Press the up (▲) or down (▼) arrow button to select **CALIBRATION**.
 - c. Press the left (◀) or right (▶) arrow button to select **Frame Timing**, and then press the **ENTER** button.
 - d. Press the left (◀) or right (▶) arrow button to select **Frame 0.0 nsec**, and then press the **ENTER** button.
8. Save the CH 2 waveform on the oscilloscope in **Ref1**, and then display the saved waveform.
9. Select **Delay** from the Measure menu, and then set the oscilloscope to measure the time delay between the Ref1 and CH 2 waveforms.
10. Press the up (▲) or down (▼) arrow button to select **2.0 ns**.
11. While seeing the Delay Timing value on the oscilloscope, press the left (◀) or right (▶) arrow button to adjust the delay value to 2.0 ns.
12. Press the up (▲) or down (▼) arrow button to select **10.0 ns**.
13. While seeing the Delay Timing value on the oscilloscope, press the left (◀) or right (▶) arrow button to adjust the delay value to 10.0 ns.
14. Press the up (▲) or down (▼) arrow button to select **22.0 ns**.
15. While seeing the Delay Timing value on the oscilloscope, press the left (◀) or right (▶) arrow button to adjust the delay value to 22.0 ns.
16. Press the **CANCEL** button to return the **CALIBRATION** menu.
17. Press the left (◀) or right (▶) arrow button to select **Clock Timing**, and then press the **ENTER** button.
18. Move CH 1 probe from TP200 to TP202. Move Ch 2 probe from TP210 to TP212.
19. Press the up (▲) or down (▼) arrow button to select **Clock 0.0 nsec**, and then the **ENTER** button.
20. Save the waveform on the oscilloscope in **Ref1**.
21. Press the up (▲) or down (▼) arrow button to select **2.0 ns**.
22. While seeing the Delay Timing value on the oscilloscope, press the left (◀) or right (▶) arrow button to adjust the delay value to 2.0 ns.
23. Save the waveform on the oscilloscope in **Ref1**, and then press the up (▲) or down (▼) arrow button to select **10.0 ns**.

24. While seeing the Delay Timing value on the oscilloscope, press the left (◀) or right (▶) arrow button to adjust the delay value to 8.0 ns.
25. Save the waveform on the oscilloscope in **Ref1**, and then press the up (▲) or down (▼) arrow button to select **22.0 ns**.
26. While seeing the Delay Timing value on the oscilloscope, press the left (◀) or right (▶) arrow button to adjust the delay value to 12.0 ns.
27. Press the **CANCEL** button to return to the **CALIBRATION** menu.

Frequency Response Adjustment

Preparation To perform the frequency response adjustment, you must first remove the top cover of the TG700 mainframe. For removal and installation procedures for the top cover, refer to the *TG700 TV Signal Generator Platform Service Manual*.

After you have removed the top cover, find the variable capacitors on the AWVG7 circuit board. (See Figure 6-5.)

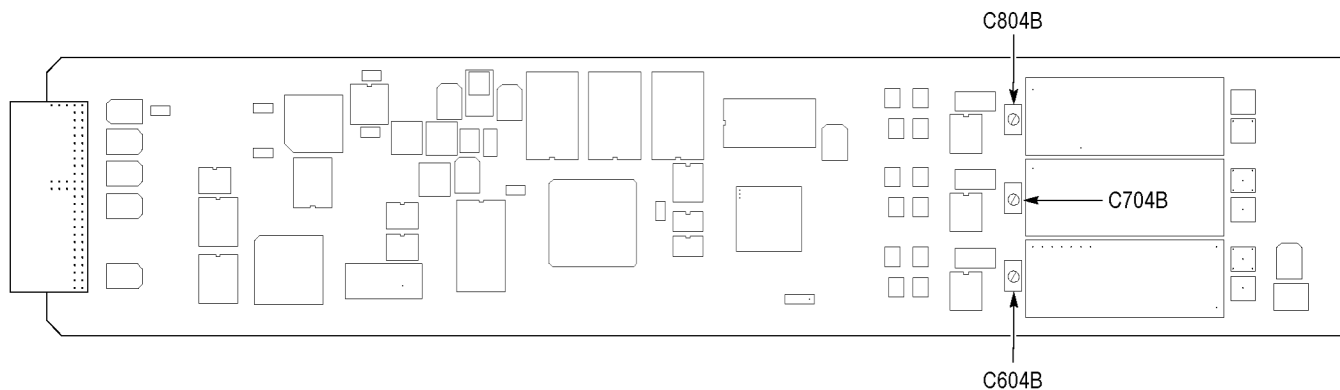


Figure 6-5: Location of the variable capacitors for the frequency response adjustment

Procedure



WARNING. To avoid serious injury, do not touch exposed connectors or components when operating the TG700 mainframe with the top cover removed. Dangerous potentials exist at several points within the TG700 mainframe.

1. Use the two 75 Ω BNC cables, peak detector head, and BNC female-to-female connector to connect the upper CH 1 connector on the AWVG7 Generator module to the +INPUT connector on the peak detector amplifier as shown in Figure 25-5.
2. Use the 75 Ω BNC cable to connect the OUTPUT connector on the peak detector amplifier to the CH 1 input connector on the oscilloscope. (See Figure 6-6.)

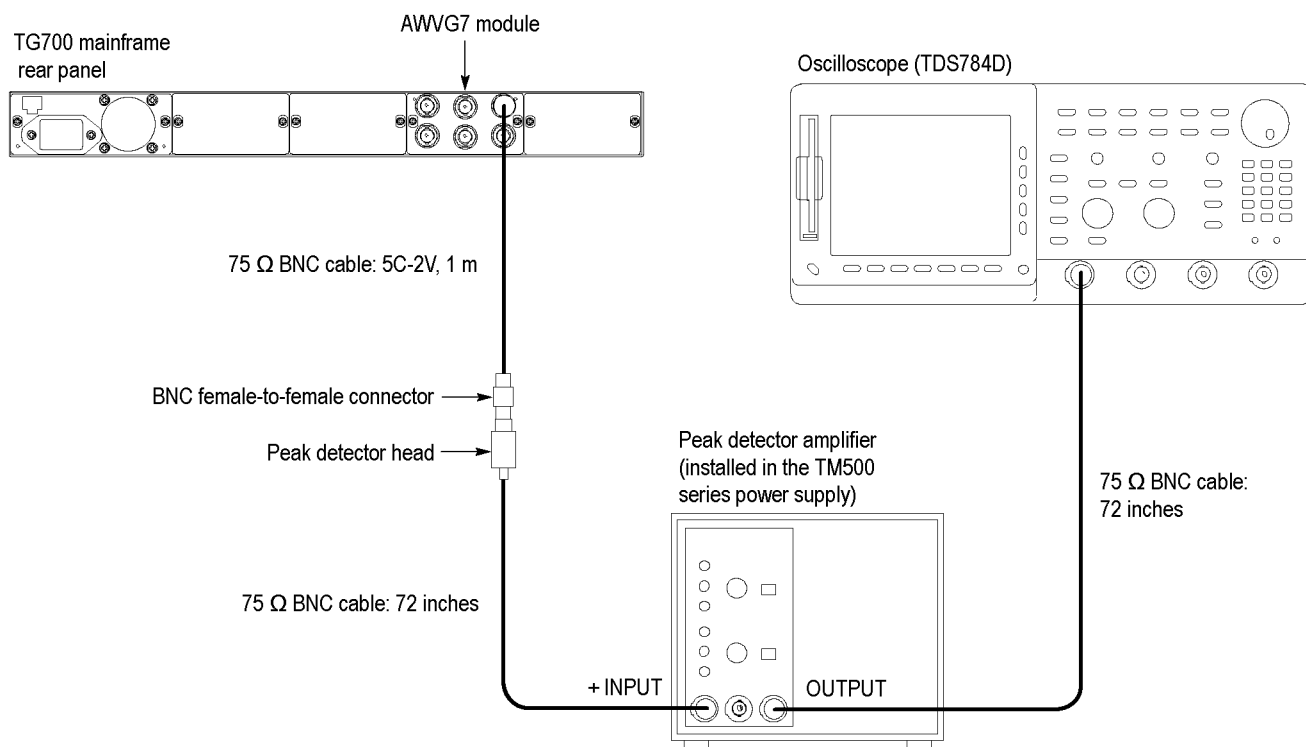


Figure 6-6: Equipment connection for adjusting the frequency response

3. Set the oscilloscope settings as indicated below:

Vertical scale	CH 1: 5 mV/div
Bandwidth	250 MHz
Horizontal scale	5 ms/div
Trigger position	10%
Trigger source	CH 1
Trigger type	Edge
Trigger level	-50 mV
Acquire menu	Average 4

4. Press the **MODULE**, **FORMAT**, and **FRONT PANEL ENABLE** buttons simultaneously, and then release the **MODULE** and **FORMAT** buttons to restart the instrument in Factory mode. Continue holding down the **FRONT**

PANEL ENABLE button until the "TG700 Startup with Factory Mode." message appears.

5. Select the DAC Test calibration signal as follows:
 - a. Press the **MODULE** button to display the AWVG7 main menu.
 - b. Press the up (**▲**) or down (**▼**) arrow button to select **CALIBRATION**.
 - c. Press the left (**◀**) or right (**▶**) arrow button to select **DAC Test**, and then press the **ENTER** button.
 - d. Press the **ENTER** button again to confirm the signal output.
6. Locate variable capacitors C804B, C704B, and C604B on the AWVG7 circuit board. (See Figure 6-5.)
7. Turn the LEVEL knob on the peak detector amplifier so that the green LED lights.
8. Adjust C804B so that the amplitude changes from 500 kHz to 20 MHz are at a minimum. (See Figure 6-7.)

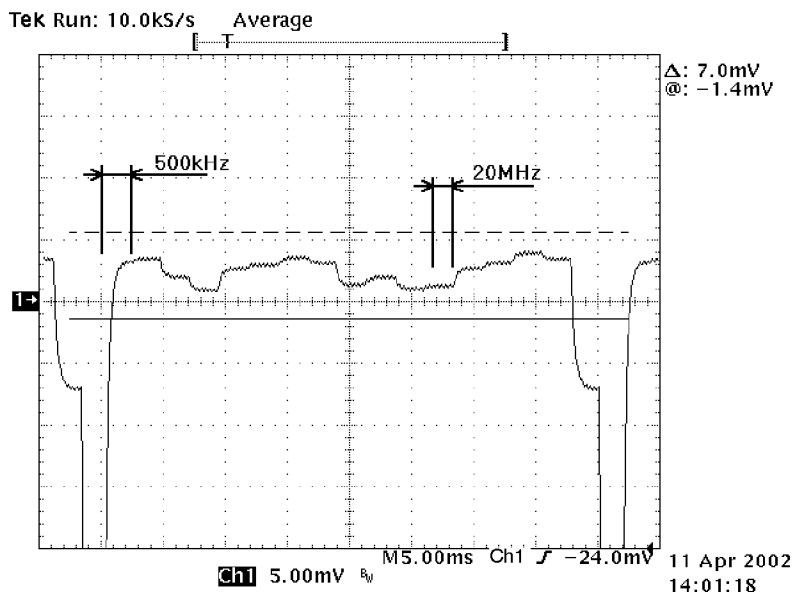


Figure 6-7: Minimizing the amplitude changes

9. Move the BNC cable from the upper CH 1 connector to the upper CH 2 connector on the AWVG7 Generator module.
10. Adjust C704B so that the amplitude changes from 500 kHz to 20 MHz are at a minimum.
11. Move the BNC cable from the upper CH 2 connector to the upper CH 3 connector on the AWVG7 Generator module.

12. Adjust C604B so that the amplitude changes from 500 kHz to 20 MHz are at a minimum.

AWVG7 Analog Wideband Video Generator Maintenance

This section contains instructions and procedures for maintaining the AWVG7 Generator module.

The following information can be found in this section:

- Removal and Replacement (See page 6-15.)
- Troubleshooting (See page 6-17.)

If the instrument does not function properly, troubleshooting and corrective measures should be taken immediately to prevent additional problems.

NOTE. *Contact your local Tektronix representative for information on where to return your instrument if it requires repair during the warranty period.*

AWVG7 Analog Wideband Video Generator Removal and Replacement

This section contains the instructions on how you can remove and replace the customer replaceable parts of the AWVG7 Generator module.

Tools Required

The following tools are required to perform the removal and replacement procedures:

Table 6-2: Required tools for removal and replacement of AWVG7 Analog Wideband Video Generator

Name	Description	Tektronix part number
Screwdriver handle	Accepts Phillips-driver bits	
#1 Phillips tip	Phillips-driver bit for #1 size screw heads	
#2 Phillips tip	Phillips-driver bit for #2 size screw heads	
Nut driver, 14 mm	Special nut driver for removing the BNC connectors of the AWVG7 module	003-A041-00

Replacing the Rear-Panel Connectors and Chassis

It is usually not necessary to replace the rear-panel connectors or chassis. However, if a connector or chassis becomes damaged, you can replace it.

Replacing the Rear-Panel Connectors

Perform the following procedure to replace the rear-panel connector:

1. Use the *Removing a Module* section to remove the AWVG7 Generator module from the mainframe. (See page 1-41, *Removing a Module*.)
2. Disconnect the cables at J830A (upper CH 1), J830B (lower CH 1), J730A (upper CH 2), J730B (lower CH 2), J630A (upper CH 3), and J630B (lower CH 3) on the AWVG7 circuit board.
3. Use the 14 mm nut driver to remove the nut securing the damaged connector to the chassis. Pull the connector away.
4. Perform steps 2 and 3 in reverse order to replace the connector.

Replacing the Chassis

Perform the following procedure to replace the chassis:

1. Use the 14 mm nut driver to remove the nuts from each of the rear-panel connectors.
2. Use a screwdriver with a #2 Phillips tip to remove the five screws securing the AWVG7 circuit board to the chassis.
3. Lift the circuit board up and away from the chassis, and then place it on a static free surface.
4. Set the replacement chassis on a firm, flat, static-free work surface.
5. Carefully place the circuit board in place on the chassis.
6. Use a screwdriver with a #2 Phillips tip to install the five screws securing the circuit board to the chassis.
7. Apply the rear panel to the chassis, and then install all the rear-panel connectors to the chassis.

AWVG7 Analog Wideband Video Generator Troubleshooting

This section contains instructions and procedures for troubleshooting the AWVG7 Generator module. These procedures will help you decide whether it is necessary to replace your module.

If the TG700 mainframe does not boot up or if the display is not working, refer to the *TG700 Troubleshooting* section in this manual.

Equipment Required

The equipment listed in the following table is required for troubleshooting.

Table 6-3: Equipment required for AWVG7 Analog Wideband Video Generator troubleshooting

Equipment description	Minimum requirements/example
Screwdriver handle	Accept Phillips-driver bits
#1 Phillips tip	Phillips-driver bit for #1 size screw heads
TG700 mainframe	A TG700 mainframe that is functioning correctly

Backing up the Instrument Settings

Before you begin the troubleshooting procedures, create a preset to save your instrument settings as follows:

1. Press the **MODULE** button until the mainframe main menu (TG700: PRESET) appears.
2. Press the **ENTER** button to access the PRESET submenu.
3. Press the up (▲) or down (▼) arrow button to select **SAVE**.
4. Press the left (◀) or right (▶) arrow button to select a preset number to save instrument settings.
5. Press the **ENTER** button to save the current instrument settings to the new preset.

After the problem is solved, recall the preset you created.

Troubleshooting Trees

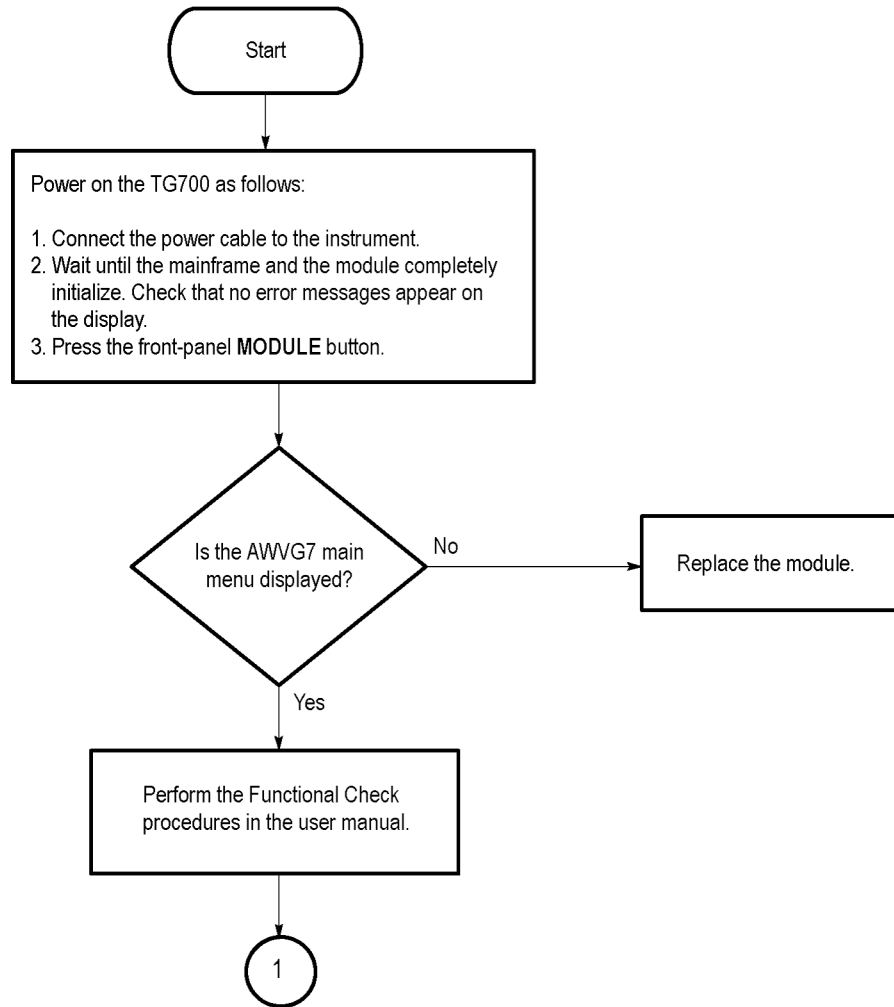


Figure 6-8: Troubleshooting procedure (1)

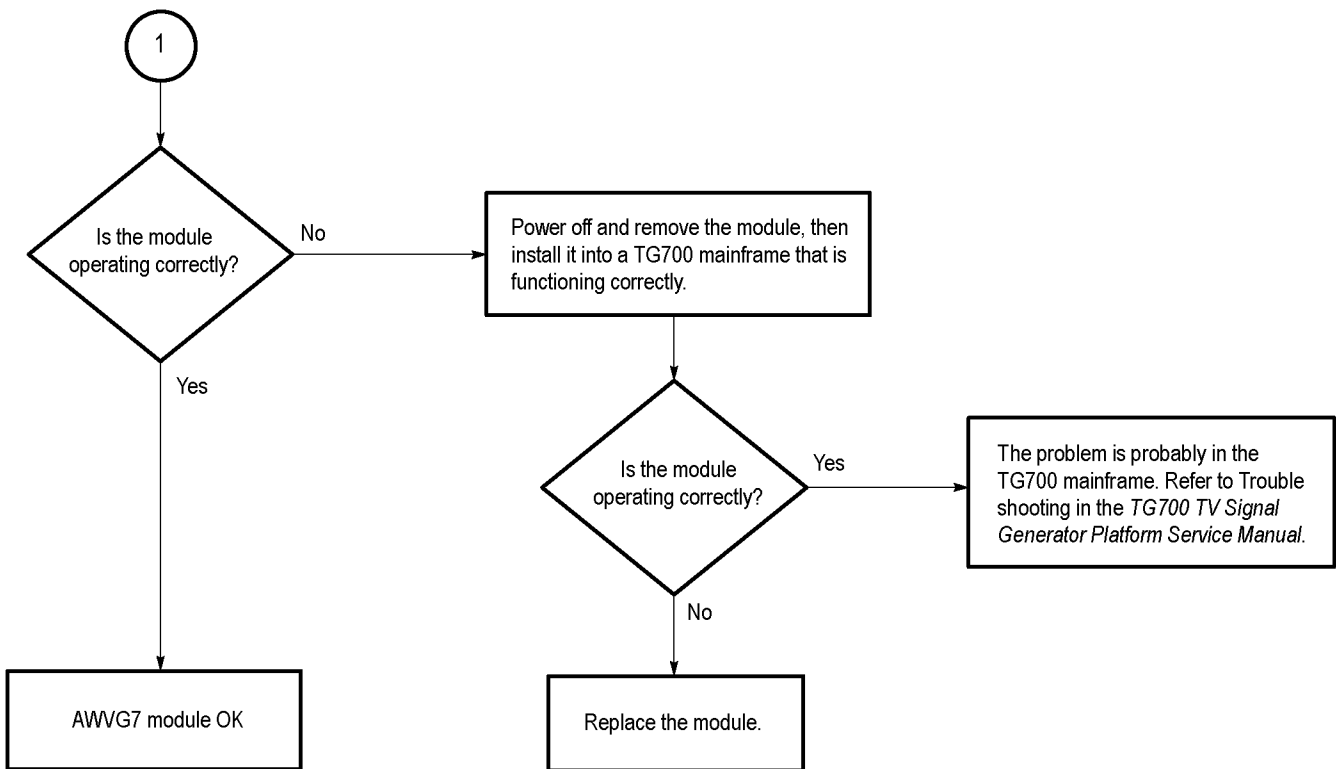


Figure 6-9: Troubleshooting procedure (2)

AWVG7 Analog Wideband Video Generator Diagram

The following figure shows the AWVG7 Generator module and how it interconnects with the TG700 TV Signal Generator Platform.

Diagrams showing mainframe component interconnections, such as power supply and oscillator, can be found in the *TG700 Diagram* section of this manual.

A block diagram of the AWVG7 Generator module is located in the *Theory of Operation* section. (See page 6-1.)

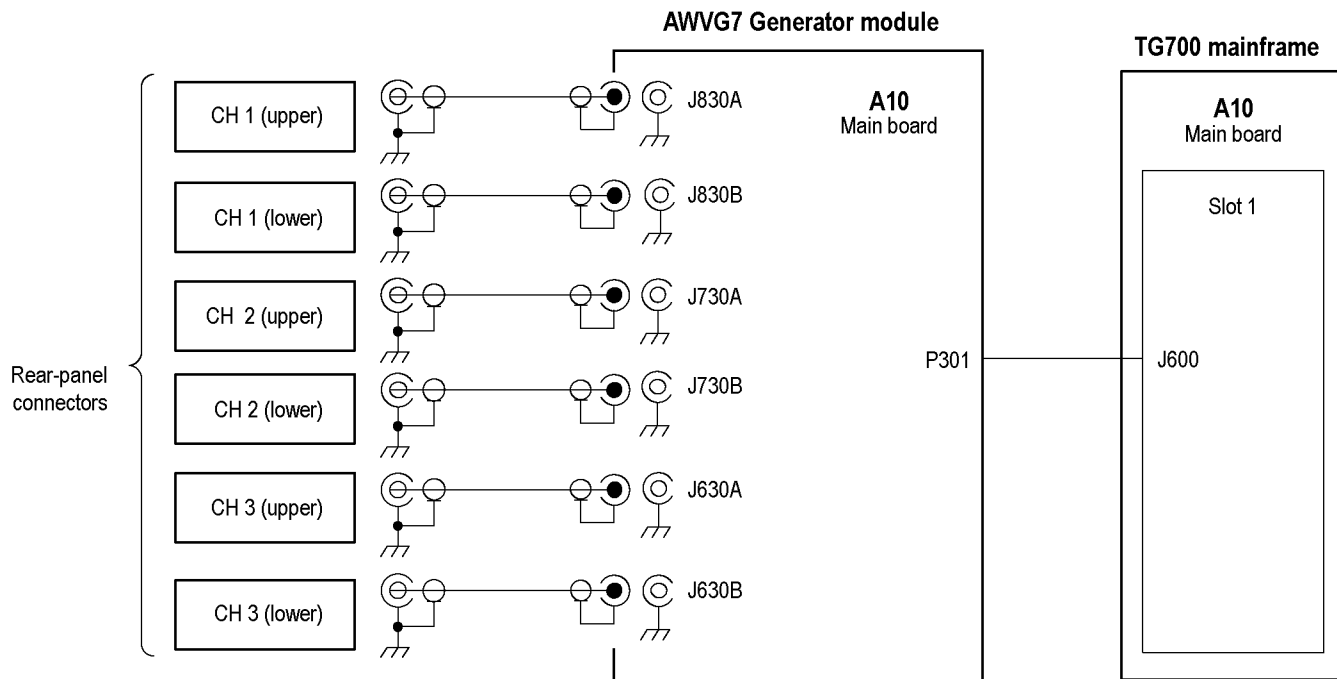


Figure 6-10: AWVG7 Generator module connections

AWVG7 Analog Wideband Video Generator Replaceable Parts List

This section contains a list of the replaceable modules for the AWVG7 Generator module. Use this list to identify and order replacement parts.

Abbreviations Abbreviations conform to American National Standard ANSI Y1.1-1972.

Table 6-4: AWVG7 Analog Wideband Video Generator – replaceable parts

Fig. & index number	Tektronix part number	Serial no. effective	Serial no. discont'd	Qty	Name & description
6-11-	116-A018-00			1	EXCHANGE MODULE:AWVG7
6-11-1	441-A269-02			1	CHASSIS,MODULE
-2	333-A454-00			1	PANEL,REAR,AL,AWVG7
-3	214-4946-00			2	SPRING,CONICAL:VXI MOUNTING SCREW,0.26 MM SUS304,5.4 MML
-4	213-1129-01			2	SCREW,MACHINE:M2.5X11MM L,PAN HD,STL,N1 PL,CROSS REC & SLOTTED
-5	348-A128-00			2.5CM	SHLD GASKET,ELEK:FINGER TYPE,5.1MM LX6.4MM W,BE-CU [97-645-02]
-6	174-B851-00			6	CABLE ASSY,RF:75OHM COAX(RG179),5.5CM L,BNC TO MCX
-7	211-A245-01			5	SCREW,MACHINE:M3X6MM L,PNH,STL,NI PL,CROSS REC,W/KOGATAMARU&LOCK WASHER
-8	334-1378-03			1	MARKER,IDENT:MKD SERIAL NO.
STANDARD ACCESSORIES					
	070-A824-XX			1	MANUAL,TECH:MODULE INSTALLATION INSTRUCTIONS
	062-A249-XX			1	SOFTWARE PACKAGE:S/W(CD-R)
OPTIONAL ACCESSORIES					
	070-A800-XX			1	MANUAL,TECH:SERVICE,TG700
	003-A041-00			1	NUTDRIVER,BOX:14MM HEX,BNC RETAINING NUT,MODIFIED 19MM

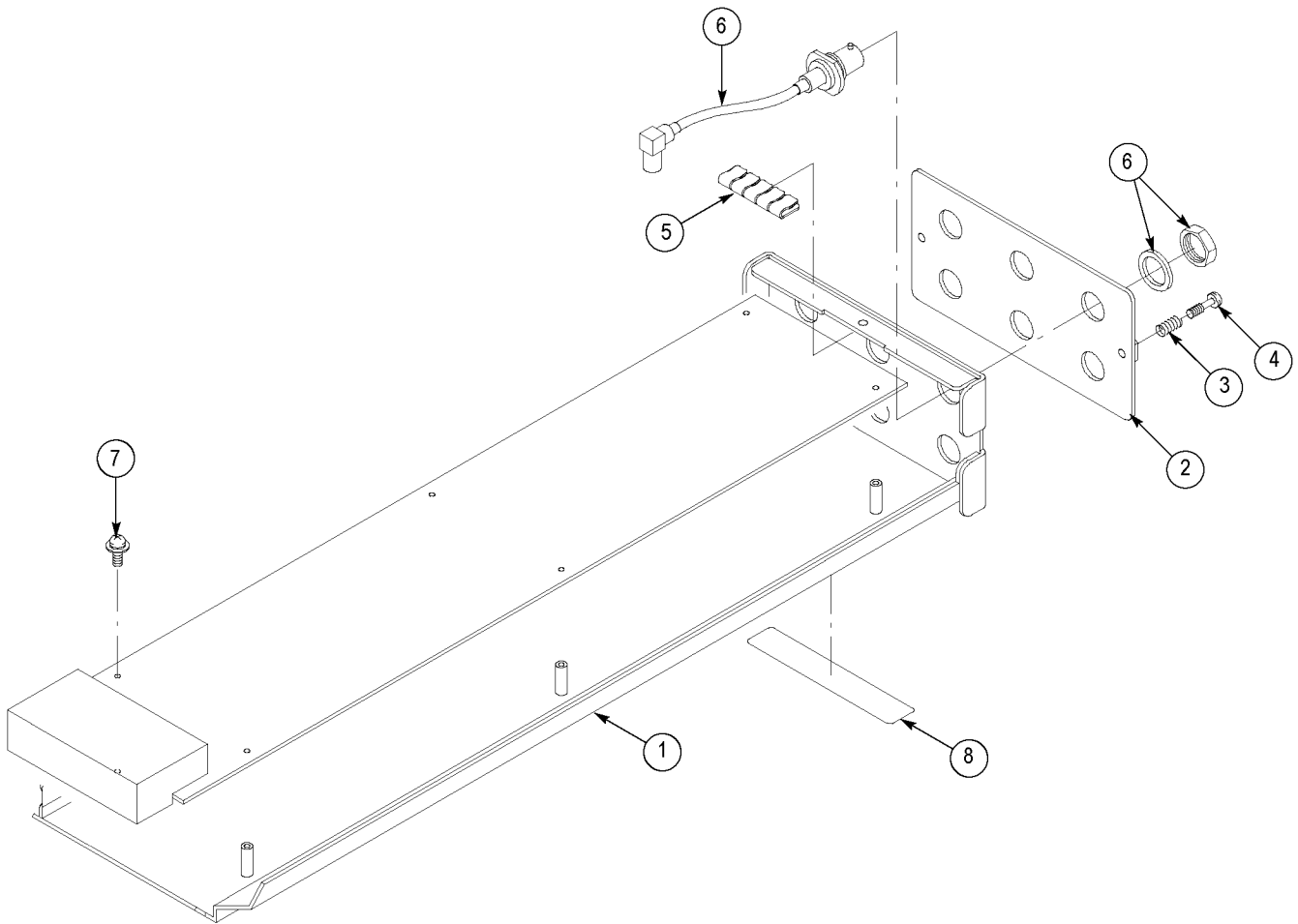


Figure 6-11: AWVG7 Generator module exploded view

BG7 Black Generator

BG7 Black Generator Theory of Operation

This section describes the basic operation of the major circuit blocks in the BG7 Generator module.

- Bus Interface** This block provides the communication between the mainframe and the module circuit.
- Sync Generator** The block creates the digital data of NTSC/PAL black burst signal or HDTV trilevel sync signal. When optional memories are added, sync generator 3 and 4 can also generate 10 field ID and NTSC/PAL color bar signals.
- D/A Converter & Amp** The block consists of a D/A converter, two amplifiers, and two filters (one is for NTSC/PAL and another is for HD). The D/A converter converts the digital data from the Sync Generator to an analog signal and reconstructs the signal for output.

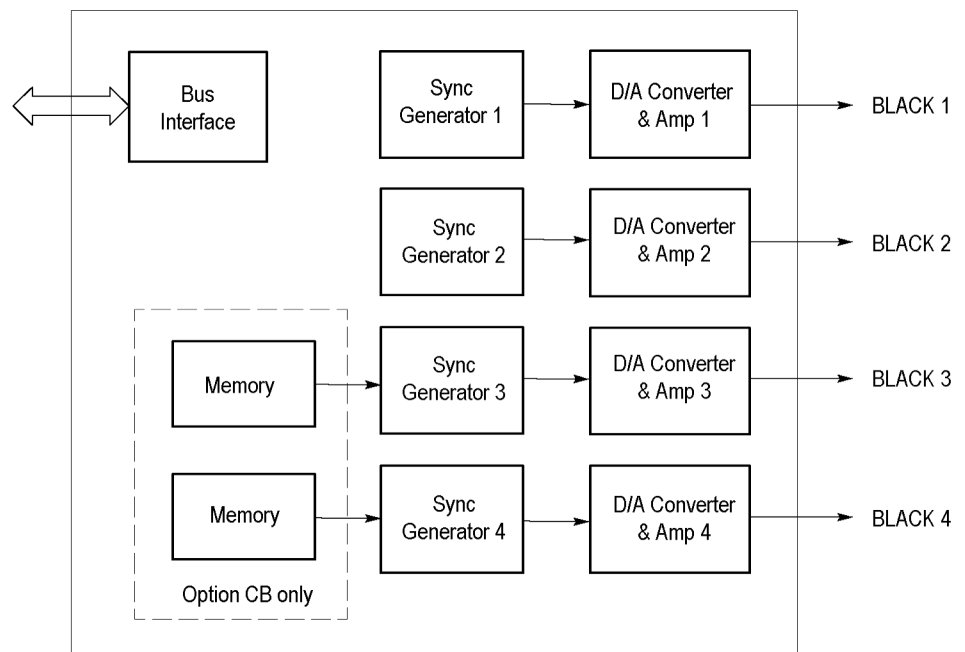


Figure 7-1: Simplified block diagram of the BG7 Generator module

BG7 Black Generator Adjustment Procedures

This section contains information needed to adjust the BG7 Generator module.

Adjustment in the BG7 Generator module are for the output offset, output gain, and luminance gain.

Requirements for Adjustment

Before doing the adjustment, note the following requirements.

- Personnel** This procedure is only to be performed by trained service technicians.
- Warm-Up Period** The BG7 Generator module requires a 20 minute warm-up time in a +20 °C to +30 °C environment before it is adjusted. Adjustments done before the operating temperature has stabilized may cause errors in performance.
- Access** When adjusting the blanking, luminance, and chrominance levels, you need to remove the top cover of the TG700 mainframe. For removal and installation procedures for the top cover, refer to the *TG700 TV Signal Generator Platform Service Manual*.

Equipment Required

The following table lists the equipment required to adjust the output offset, output gain, and luminance gain.

Table 7-1: Equipment required for BG7 Black Generator adjustment procedures

Item	No.	Minimum requirement	Recommended equipment
TV signal generator platform	1		Tektronix TG700
Digital multimeter	1	5 1/2 digits	FLUKE 8842A
Video measurement set	1		Tektronix VM700T Option 01/11
75 Ω BNC cable	1	Length: 42 inches	Tektronix part number 012-0074-00
75 Ω coaxial terminator	1		Tektronix part number 011-0102-03
BNC T connector	1		Tektronix part number 103-0030-00
BNC female to dual banana adapter	1		Tektronix part number 103-0090-00

Output Offset and Gain Adjustment

Preparation To perform the output offset and gain adjustment, you must first remove the top cover of the TG700 mainframe. For removal and installation procedures for the top cover, refer to the *TG700 TV Signal Generator Platform Service Manual*.

After you have removed the top cover, find the variable resistors on the BG7 circuit board. (See Figure 7-2.)

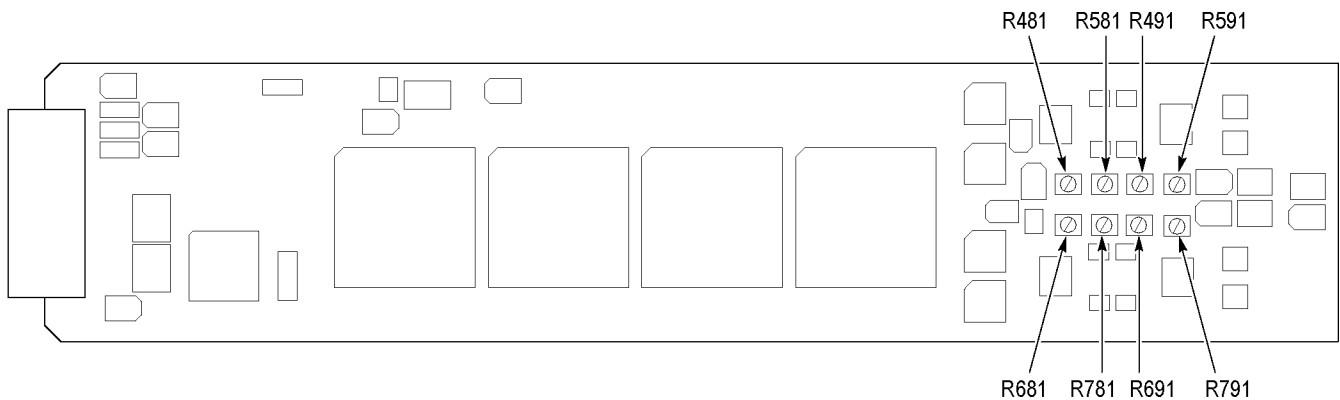


Figure 7-2: BG7 circuit board view

Procedure



WARNING. To avoid serious injury, do not touch exposed connectors or components when operating the TG700 mainframe with the top cover removed. Dangerous potentials exist at several points within the TG700 mainframe.

1. Use the 75 Ω BNC cable, BNC T connector, 75 Ω coaxial terminator, and BNC female-to-dual banana adapter to connect the BLACK 1 connector on the BG7 Generator module to the INPUT connector on the digital multi meter. (See Figure 7-3.)

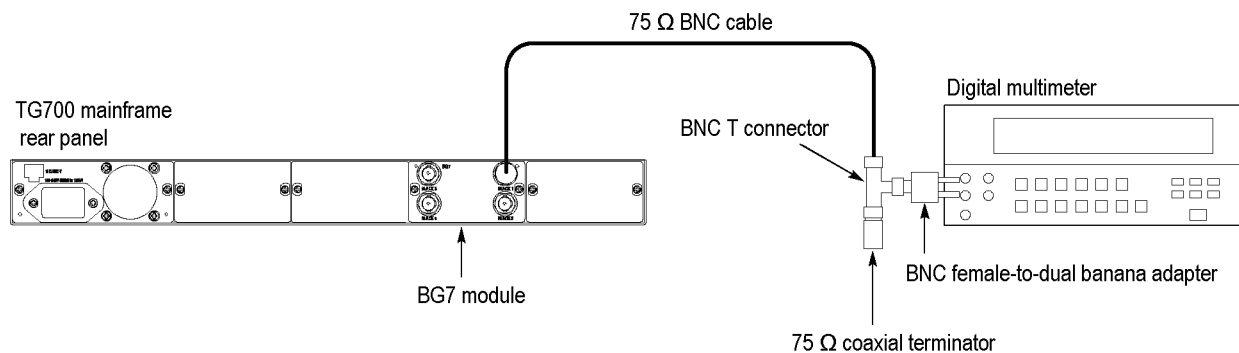


Figure 7-3: Equipment connection for adjusting the output offset and gain

2. Press the **MODULE**, **FORMAT**, and **FRONT PANEL ENABLE** buttons simultaneously, and then release the **MODULE** and **FORMAT** buttons to restart the instrument in Factory mode.
3. Select the DAC Offset (0V DC) calibration signal for BLACK 1 through BLACK 4 as follows:
 - a. Press the **MODULE** button to display the **BG7** main menu.
 - b. Press the up (**▲**) or down (**▼**) arrow button to select **CALIBRATION**.
 - c. Press the left (**◀**) or right (**▶**) arrow button to select **BLACK 1**, and then press the **ENTER** button.
 - d. Press the left (**◀**) or right (**▶**) arrow button to select **CAL : DAC Offset (0V DC)**, and then press the **ENTER** button.
 - e. Press the **CANCEL** button.
 - f. Repeat parts c through e of this step to select the calibration signal for BLACK 2 through BLACK 4.
4. Locate variable resistor R491 on the BG7 circuit board. (See Figure 7-2.)
5. Adjust R491 so that the output offset is 0 V \pm 1 mV.
6. Change the BNC cable connection from BLACK 1 connector to the BLACK 2 connector on the BG7 Generator module.
7. Locate variable resistor R591 on the BG7 circuit board. (See Figure 7-2.)
8. Adjust R591 so that the output offset is 0 V \pm 1 mV.
9. Change the BNC cable connection from BLACK 2 connector to the BLACK 3 connector on the BG7 Generator module.
10. Locate variable resistor R691 on the BG7 circuit board. (See Figure 7-2.)
11. Adjust R691 so that the output offset is 0 V \pm 1 mV.
12. Change the BNC cable connection from the BLACK 3 connector to the BLACK 4 connector on the BG7 Generator module.

13. Locate variable resistor R791 on the BG7 circuit board. (See Figure 7-2.)
14. Adjust R791 so that the output offset is $0\text{ V} \pm 1\text{ mV}$.
15. Select the DAC Gain (1.000V DC) calibration signal for BLACK 1 through BLACK 4 as follows:
 - a. Press the left (◀) or right (▶) arrow button to select **BLACK 1**, and then press the **ENTER** button.
 - b. Press the left (◀) or right (▶) arrow button to select **CAL : DAC Gain (1.000V DC)**, and then press the **ENTER** button.
 - c. Press the **CANCEL** button.
 - d. Repeat parts a through c of this step to select the calibration signal for BLACK 2 through BLACK 4.
16. Locate variable resistor R481 on the BG7 circuit board. (See Figure 7-2.)
17. Adjust R481 so that the output gain is $1\text{ V} \pm 1\text{ mV}$.
18. Change the BNC cable connection from the BLACK 1 connector to the BLACK 2 connector on the BG7 Generator module.
19. Locate variable resistor R581 on the BG7 circuit board. (See Figure 7-2.)
20. Adjust R581 so that the output gain is $1\text{ V} \pm 1\text{ mV}$.
21. Change the BNC cable connection from the BLACK 2 connector to the BLACK 3 connector on the BG7 Generator module.
22. Locate variable resistor R681 on the BG7 circuit board. (See Figure 7-2.)
23. Adjust R681 so that the output gain is $1\text{ V} \pm 1\text{ mV}$.
24. Change the BNC cable connection from the BLACK 3 connector to the BLACK 4 connector on the BG7 Generator module.
25. Locate variable resistor R781 on the BG7 circuit board. (See Figure 7-2.)
26. Adjust R781 so that the output gain is $1\text{ V} \pm 1\text{ mV}$.

Luminance Gain Adjustment (Option CB Only)

Preparation To perform the luminance gain adjustment, you must first remove the top cover of the TG700 mainframe. For removal and installation procedures for the top cover, refer to the *TG700 TV Signal Generator Platform Service Manual*.

After you have removed the top cover, find the variable resistors on the BG7 circuit board. (See Figure 7-2.)

Procedure



WARNING. To avoid serious injury, do not touch exposed connectors or components when operating the TG700 mainframe with the top cover removed. Dangerous potentials exist at several points within the TG700 mainframe.

1. Use the 75 Ω BNC cable to connect the BLACK 3 connector on the BG7 Generator module to the CHAN A connector on the video measurement set. (See Figure 7-4.)
2. Use the 75 Ω coaxial terminator to terminate the other loop through to the CHAN A connector on the video measurement set.

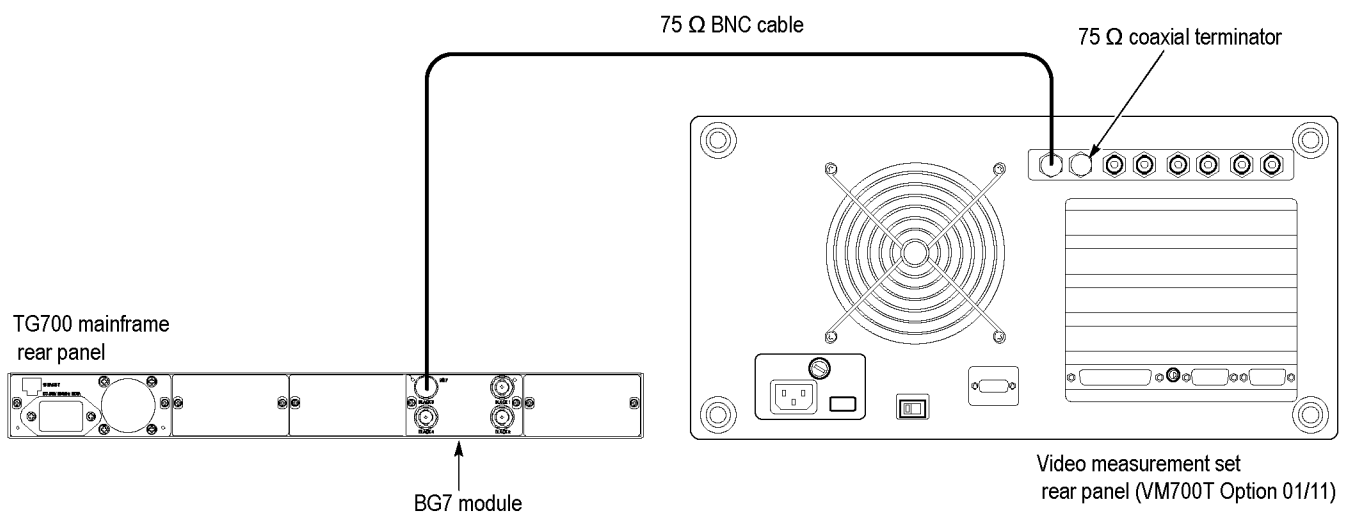


Figure 7-4: Equipment connection for adjusting luminance gain

3. Select the **75% Colour Bars** signal for BLACK 3 and BLACK 4 as follows:
 - a. Press the **MODULE** button to display the BG7 main menu.
 - b. Press the left (**◀**) or right (**▶**) arrow button to select **BLACK 3**, and then press the **ENTER** button.
 - c. Press the left (**◀**) or right (**▶**) arrow button to select **PAL**, and then press the **ENTER** button.
 - d. Press the left (**◀**) or right (**▶**) arrow button to select **75% Colour Bars**, and then press the **ENTER** button.
 - e. Press the **CANCEL** button twice to return the module main menu.
 - f. Repeat parts steps b through d of this step to select the 75% Colour Bars signal for BLACK 4.

4. Press the **Measure** button on the video measurement set to open the Measure mode display.
5. Touch the **Video Standard** soft key to change the acceptable video standard for PAL.
6. In the Measure mode display, touch the **Color Bar** soft key to open the Color Bar measurement display.
7. Press the **Menu** button to display the Color Bar main menu.
8. Touch the **Average** soft key and rotate the front-panel knob to set the value to 16.
9. Locate variable resistor R681 on the BG7 circuit board. (See Figure 7-2.)
10. Adjust R681 so that the luminance gain (White) is $700 \text{ mV} \pm 1.5 \text{ mV}$.
11. Verify that chrominance gain (Red) is within the range of 658.8 mV to 668.8 mV.
12. Change the BNC cable connection from the BLACK 3 connector to the BLACK 4 connector on the BG7 Generator module.
13. Locate variable resistor R781 on the BG7 circuit board. (See Figure 7-2.)
14. Adjust R781 so that the luminance gain (White) is $700 \text{ mV} \pm 1.5 \text{ mV}$.
15. Verify that chrominance gain (Red) is within the range of 658.8 mV to 668.8 mV.

BG7 Black Generator Maintenance

This section contains instructions and procedures for maintaining the BG7 Generator module. Before following these procedures, read *Maintenance for Generators and Modules*. (See page xix.)

The following information can be found in this section:

- Removal and Replacement (See page 7-9.)
- Troubleshooting (See page 7-11.)

If the instrument does not function properly, troubleshooting and corrective measures should be taken immediately to prevent additional problems.

NOTE. *Contact your local Tektronix representative for information on where to return your instrument if it requires repair during the warranty period.*

BG7 Black Generator Removal and Replacement

This section contains the instructions on how you can remove and replace the customer replaceable parts of the BG7 Generator module.

Tools Required

The following tools are required to perform the removal and replacement procedures:

Table 7-2: Required tools for removal and replacement of BG7 Black Generator

Name	Description	Tektronix part number
Screwdriver handle	Accepts Phillips-driver bits	
#1 Phillips tip	Phillips-driver bit for #1 size screws	
#2 Phillips tip	Phillips-driver bit for #2 size screws	
Nut driver, 14 mm	Special nut driver for removing the BNC connectors of the BG7 module	003-A041-00

Replacing the Rear-Panel Connectors and Chassis

It is usually not necessary to replace the rear-panel connectors or chassis. However, if a connector or chassis becomes damaged, you can replace it.

Replacing the Rear-Panel Connectors

Perform the following procedure to replace the rear-panel connector:

1. Use the *Removing a Module* section to remove the BG7 Generator module from the mainframe. (See page 1-41, *Removing a Module*.)
2. Disconnect the cables at P830 (BLACK 1), J880 (BLACK 2), J930 (BLACK 3) and J980 (BLACK 4) on the BG7 circuit board.
3. Use the 14 mm nut driver to remove the nut securing the damaged connector to the chassis. Pull the connector away.
4. Perform steps 2 and 3 in reverse order to replace the connector.

Replacing the Chassis

Perform the following procedure to replace the chassis:

1. Use the 14 mm nut driver to remove the nuts from each of the rear-panel connectors.
2. Use a screwdriver with a #2 Phillips tip to remove the six screws securing the BG7 circuit board to the chassis.
3. Lift the circuit board up and away from chassis, and then place it on a static free surface.
4. Set the replacement chassis on a firm, flat, static-free work surface.
5. Carefully place the circuit board in place on the chassis.
6. Use a screwdriver with a #2 Phillips tip to install the five screws securing the circuit board to the chassis.
7. Apply the rear panel to the chassis, and then install all the rear-panel connectors to the chassis.

BG7 Black Generator Troubleshooting

This section contains instructions and procedures for troubleshooting the BG7 Generator module. These procedures will help you decide whether it is necessary to replace your module.

If the TG700 mainframe does not boot up or if the display is not working, refer to the *TG700 Troubleshooting* section in this manual.

Equipment Required

The equipment listed in the following table is required for troubleshooting.

Table 7-3: Equipment required for BG7 Black Generator troubleshooting

Equipment description	Minimum requirements/example
Screwdriver handle	Accept Phillips-driver bits
#1 Phillips tip	Phillips-driver bit for #1 size screw heads
TG700 mainframe	A TG700 mainframe that is functioning correctly

Backing up the Instrument Settings

Before you begin the trouble shooting procedures, create a preset to save your instrument settings as follows:

1. Press the **MODULE** button until the mainframe main menu (TG700: PRESET) appears.
2. Press the **ENTER** button to access the PRESET submenu.
3. Press the up (▲) or down (▼) arrow button to select **SAVE**.
4. Press the left (◀) or right (▶) arrow button to select a preset number to save instrument settings.
5. Press the **ENTER** button to save the current instrument settings to the new preset.

After the problem is solved, recall the preset you created.

Troubleshooting Trees

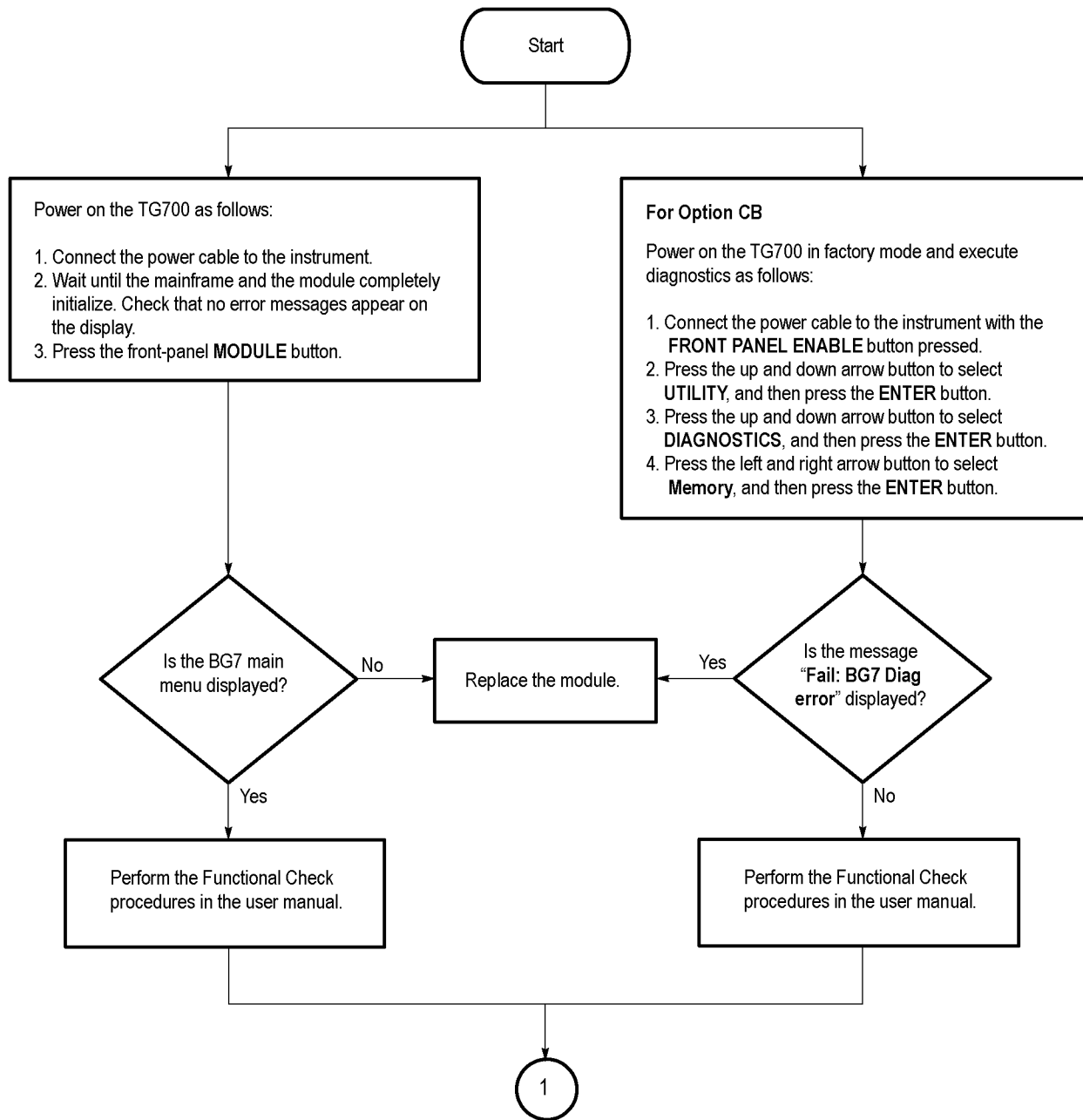


Figure 7-5: Troubleshooting procedure (1)

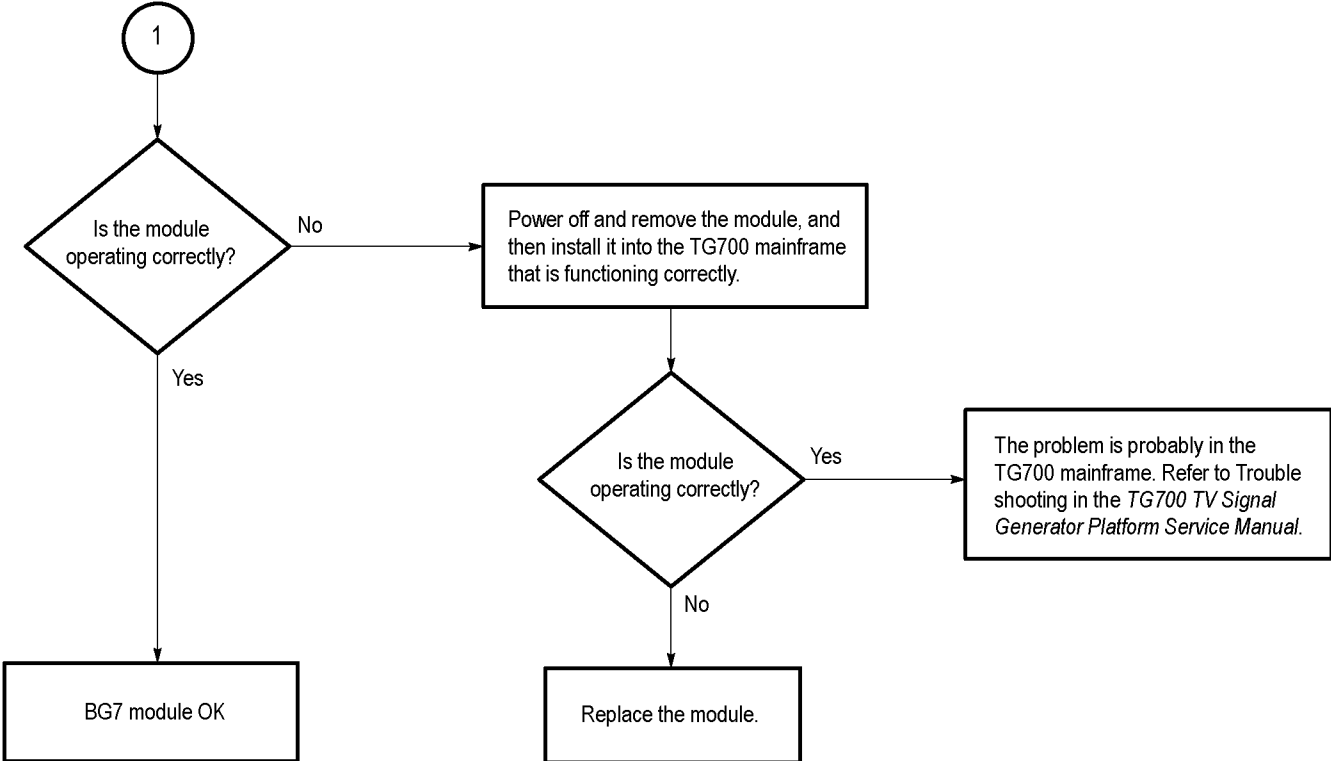


Figure 7-6: Troubleshooting procedure (2)

BG7 Black Generator Diagram

The following figure shows the BG7 Generator module and how it interconnects with the TG700 TV Signal Generator Platform. Diagrams showing mainframe component interconnections, such as power supply and oscillator, can be found in the *TG700 Diagram* section of this manual.

A block diagram of the BG7 Generator module is located in the *Theory of Operation* section. (See page 7-1, *BG7 Black Generator Theory of Operation*.)

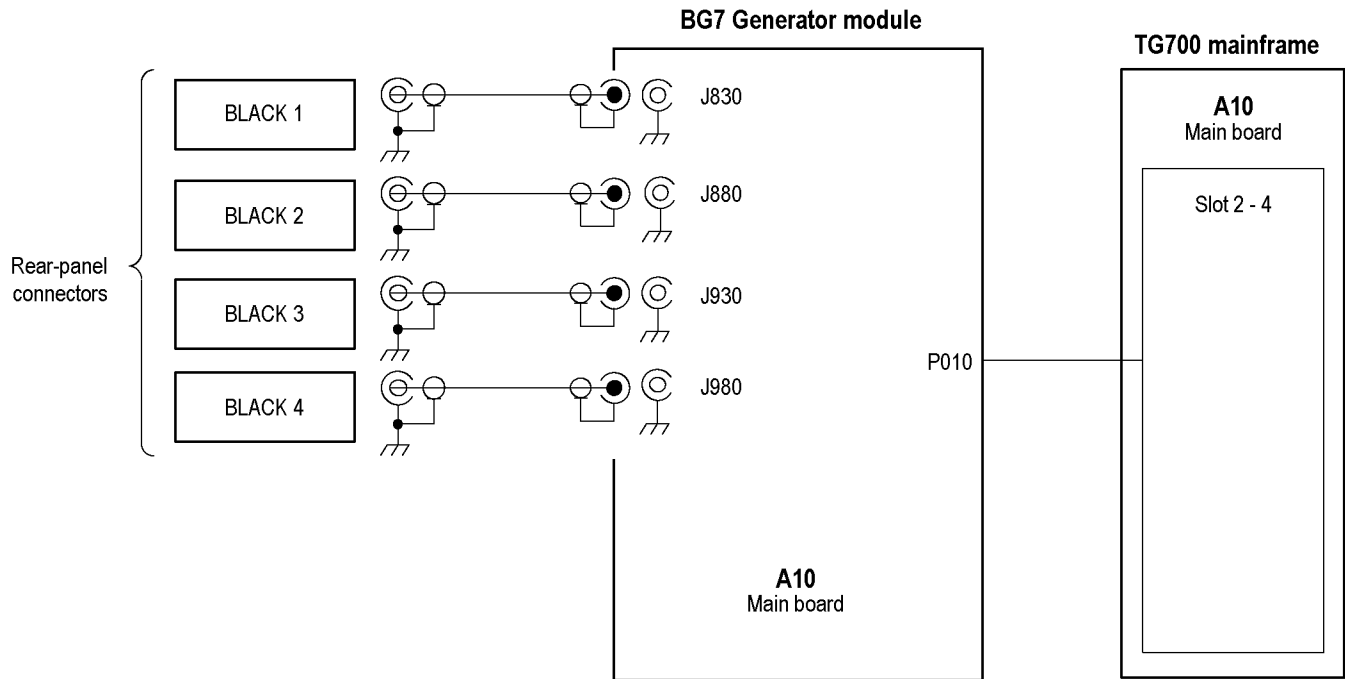


Figure 7-7: BG7 Generator module connections

BG7 Black Generator Replaceable Parts List

This section contains a list of the replaceable modules for the BG7 Generator module. Use this list to identify and order replacement parts.

Abbreviations Abbreviations conform to American National Standard ANSI Y1.1-1972.

Table 7-4: BG7 Black Generator – replaceable parts

Fig. & index number	Tektronix part number	Serial no. effective	Serial no. discont'd	Qty	Name & description
7-8-	116-A003-01			1	EXCHANGE MODULE:BG7
	116-A004-01			1	EXCHANGE MODULE:BG7-CB
7-8-1	441-A269-02			1	CHASSIS,MODULE AGL7:ASSY
-2	333-A406-00			1	PANEL,REAR:BG7,AL
-3	214-4946-00			2	SPRING,CONICAL:VXI MOUNTING SCREW,0.26 MM SUS304,5.4 MML
-4	213-1129-01			2	SCREW,MACHINE:M2.5X11MM L,PAN HD,STL,N1 PL,CROSS REC & SLOTTED
-5	348-A128-00			2.5 CM	SHLD GASKET,ELEK:FINGER TYPE,5.1MM LX6.4MM W,BE-CU [97-645-02]
-6	174-B851-00			4	CABLE ASSY,RF:75OHM COAX(RG179),5.5CM L,BNC TO MCX
-7	211-A245-01			5	SCREW,MACHINE:M3X6MM L,PNH,STL,NI PL,CROSS REC,W/KOGATAMARU&LOCK WASHER
-8	334-1378-03			1	MARKER,IDENT:MKD SERIAL NO.
STANDARD ACCESSORIES					
	070-A824-XX			1	MANUAL,TECH:MODULE INSTALLATION INSTRUCTIONS
	062-A249-XX			1	SOFTWARE PACKAGE:S/W(CD-R)
OPTIONAL ACCESSORIES					
	070-A800-XX			1	MANUAL,TECH:SERVICE,TG700
	003-A041-00			1	NUTDRIVER,BOX:14MM HEX,BNC RETAINING NUT,MODIFIED 19MM

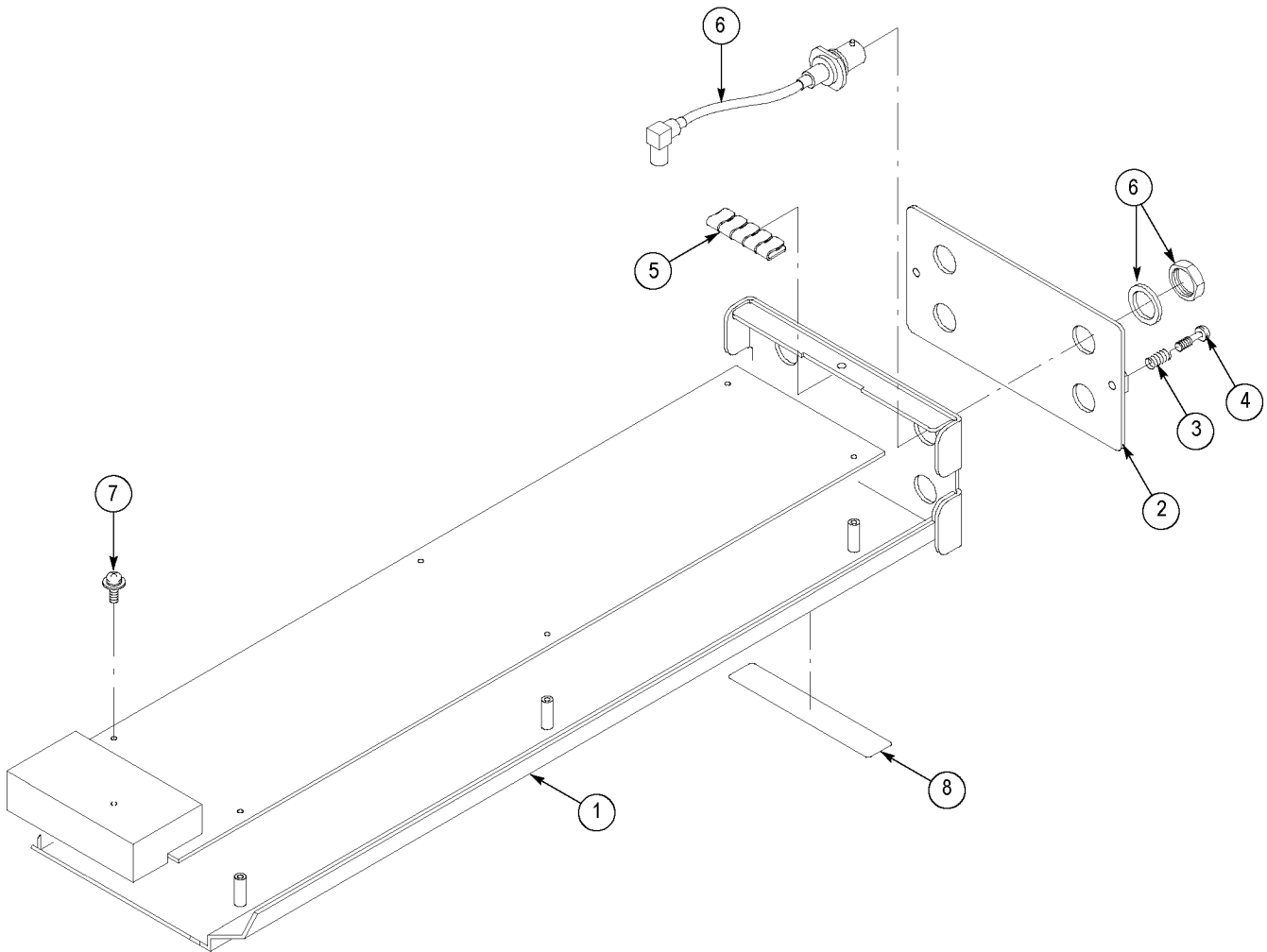


Figure 7-8: BG7 Generator module exploded view

DVG7 Digital Video Generator

DVG7 Digital Video Generator Theory of Operation

This section describes the basic operation of the major circuit blocks in the DVG7 Generator module.

Bus Interface	This block provides the communication between the mainframe and the module circuit.
Address Generator	This block consists of a frame delay, an MPU interface, a sequencer, an SDRAM controller, and a blanking data generator. It interfaces the Frame Memory and the Line Memory and controls the output sequence of the video data in these memories.
Frame Memory	The frame memory contains a series of pointers that control the order the video lines stored in Line Memory are used to produce the serial digital signals.
Line Memory	The memory holds the actual sample points that define a serial digital signal.
Overlay Controller	This block consists of an MPU interface and an overlay controller. It inserts data from the Overlay Memory into the Line Memory data stream to create circular patterns, ID text, and logo.
Overlay Memory	The memory generates timings to multiplex the line memory data and the overlay data used for a circle, ID text, and logo overlay.
Formatter	This block consists of an audio control packet generator, a data packet generator, an MPU interface, and an SRAM controller. The formatter inserts embedded audio data in serial digital signals.
Audio Memory	The memory contains embedded audio data.
Serializer	This block converts a 10 bits parallel data to SDI signal.
Black Generator (Option BK Only)	This block generates black or gray (40% gray) signal for the BLACK 1 and BLACK 2 outputs.

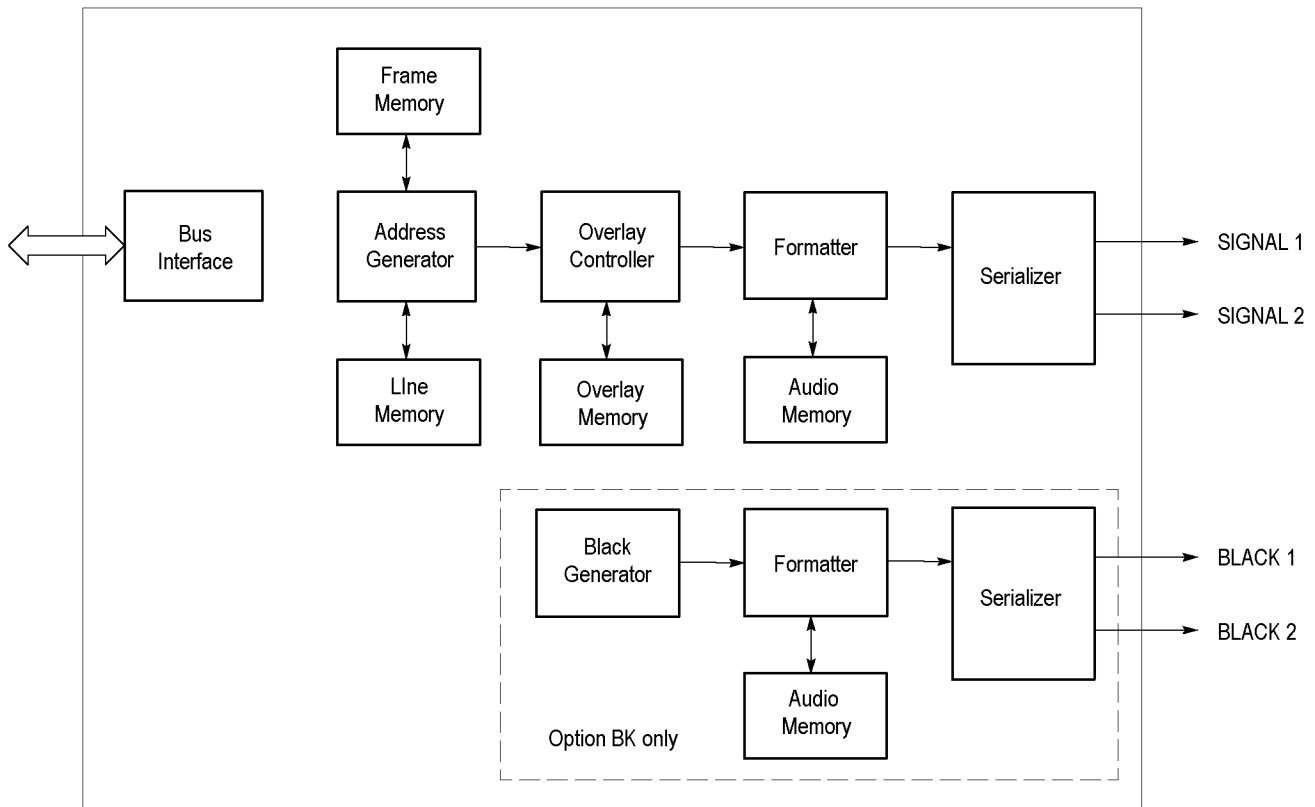


Figure 8-1: Simplified block diagram of the DVG7 Generator module

DVG7 Digital Video Generator Adjustment Procedures

The only adjustment in the DVG7 Generator module is for the output level.

Requirements for Adjustment

Before doing the adjustment, note the following requirements.

- Personnel** This procedure is only to be performed by trained service technicians.
- Warm-Up Period** The DVG7 Generator module requires a 20 minute warm-up time in a +20 °C to +30 °C environment before it is adjusted. Adjustment done before the operating temperature has stabilized may cause errors in performance.
- Access** When adjusting the output level, you need to remove the top cover of the TG700 mainframe. (See page 1-15, *Top Cover*.)

Equipment Required

The following table lists the equipment required to adjust the output level.

Table 8-1: Equipment required for DVG7 Digital Video Generator adjustment procedures

Item	No.	Minimum requirement	Recommended equipment
TV signal generator platform	1		Tektronix TG700
Oscilloscope	1	Bandwidth: 1 GHz or higher	Tektronix TDS784D
75 Ω BNC cable	1	Length: 42 inches	Tektronix part number 012-0074-00
75 Ω coaxial terminator	1		Tektronix part number 011-0102-01
75 Ω signal adapter	1	Bandwidth: 1 GHz Amplitude precision: -3 dB	Tektronix AMT75

Output Level Adjustment

- Preparation** To perform the output level adjustment, you must first remove the top cover of the TG700 mainframe. (See page 1-15, *Top Cover*.)
- After you have removed the top cover, find the variable resistors on the DVG7 circuit board. (See Figure 8-2.)

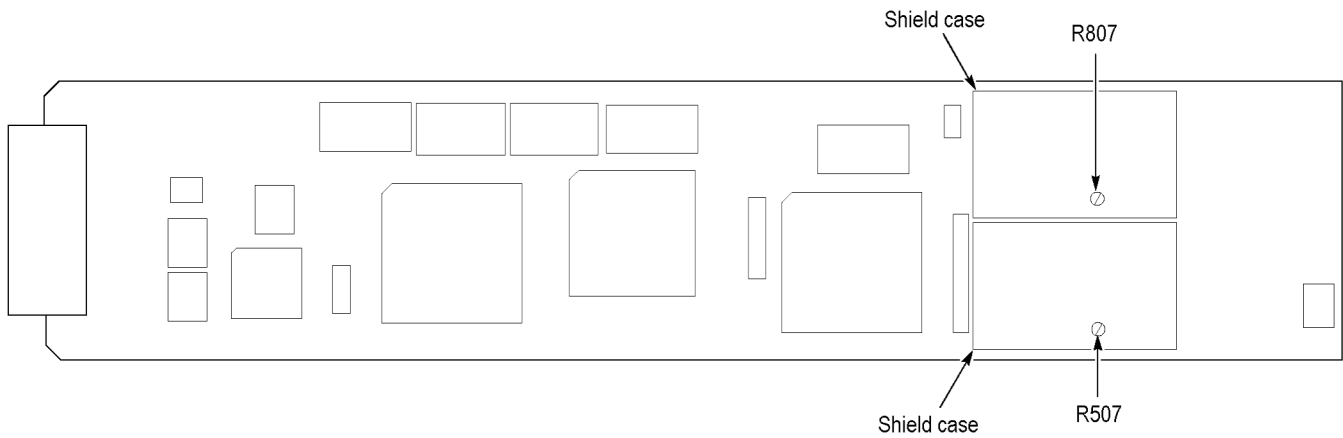


Figure 8-2: DVG7 circuit board view

Procedure



WARNING. To avoid serious injury, do not touch exposed connectors or components when operating the TG700 mainframe with the top cover removed. Dangerous potentials exist at several points within the TG700 mainframe.

1. Use the 75 Ω BNC cable and 75 Ω signal adapter to connect the SIGNAL 1 connector on the DVG7 Generator module to the CH1 input connector on the oscilloscope. (See Figure 8-3.)

NOTE. Some sampling oscilloscopes do not automatically adjust their readouts to account for the $\div 5$ attenuation of the AMT75. You must remember to account for this attenuation while viewing the oscilloscope readouts if you are using an oscilloscope of this type.

2. Use the 75 Ω coaxial terminator to terminate the SIGNAL 2 connector on the DVG7 Generator module.

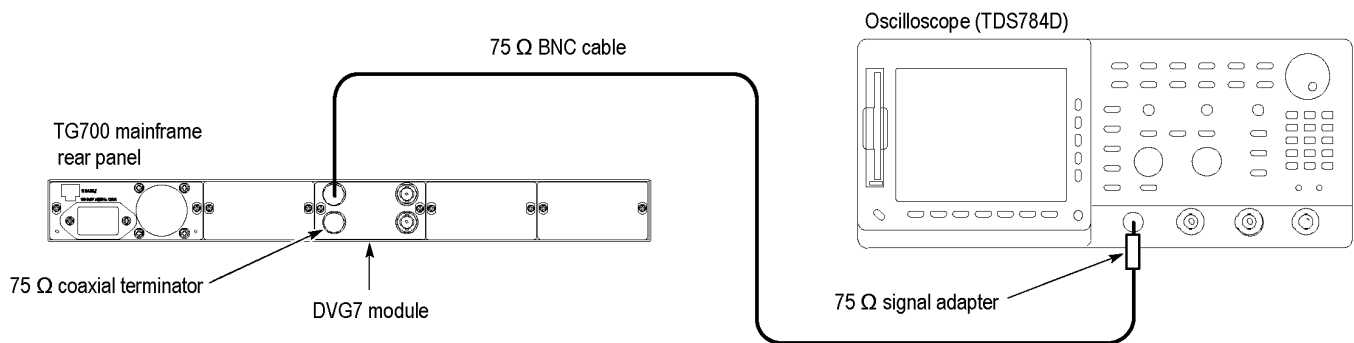


Figure 8-3: Equipment connection for adjusting the output level

3. Set the oscilloscope settings as indicated below:

Vertical	160 mV/div
Horizontal	1 ns/div
Record Length	500 points in 10 div
Trig Position	CH4
Trig Source	50%
Trig Slope	Rising Edge
Acquire Menu	Sample
DPO (InstaVu)	Infinite Persistence

1. Recall the Factory Default preset as follows:
 - a. Press the up (▲) or down (▼) arrow button to select **RECALL**.
 - b. Press the left (◀) or right (▶) arrow button to select **Factory Default**.
 - c. Press the **ENTER** button to recall the factory default settings.
 - d. Press the **CANCEL** button to return the TG700 main menu.
2. Select the **75 % Color Bars** signal as follows:
 - a. Press the **MODULE** button to display the **DVG7** main menu.
 - b. Press the **COLOR BAR** test signal button until the **75 % Color Bars** signal is selected.
3. Turn on the "Cursor: HBars" of the sampling oscilloscope, and then set the nV to 800 mV.
4. Change the cursor mode to Track, and then position the cursors so that they are symmetrical about the center graticule.
5. Locate variable resistor R507 on the DVG7 circuit board. (See Figure 8-2.)
6. Adjust R507 so that the signal amplitude is equal to the height between the two cursors set in step 6.

BLACK Output Level Adjustment (Option BK Only).

7. Move the BNC cable from the SIGNAL 1 connector to the BLACK 1 connector and move the 75 Ω terminator from the SIGNAL 2 connector to the BLACK 2 connector on the DVG7 Generator module.
8. Select the **40 % Flat Field** signal as follows:
 - a. Press the **CANCEL** button to return the module main menu.
 - b. Press the up (▲) or down (▼) arrow button to select **BLACK (OPTION)**.
 - c. Press the **ENTER** button to access the BLACK submenu.
 - d. Press the up (▲) or down (▼) arrow button to select **SIGNAL**.
 - e. Press the left (◀) or right (▶) arrow button to select **40 % Flat Field** and press the **ENTER** button.
9. Locate variable resistor R807 on the DVG7 circuit board. (See Figure 8-2.)
10. Adjust R807 so that the signal amplitude is equal to the height between two cursors set in step 6.

This completes the output level adjustment procedures.

DVG7 Digital Video Generator Maintenance

This section contains instructions and procedures for maintaining the DVG7 Generator module. Before following these procedures, read *Maintenance for Generators and Modules*. (See page xix.)

The following information can be found in this section:

- Removal and Replacement (See page 8-8.)
- Troubleshooting (See page 8-10.)

If the instrument does not function properly, troubleshooting and corrective measures should be taken immediately to prevent additional problems.

NOTE. *Contact your local Tektronix representative for information on where to return your instrument if it requires repair during the warranty period.*

DVG7 Digital Video Generator Removal and Replacement

This section contains the instructions on how you can remove and replace the customer replaceable parts of the DVG7 Generator module.

Tools Required

The following tools are required to perform the removal and replacement procedures:

Table 8-2: Required tools for removal and replacement of DVG7 Digital Video Generator

Name	Description	Tektronix part number
Screwdriver handle	Accepts Phillips-driver bits	
#1 Phillips tip	Phillips-driver bit for #1 size screw heads	
#2 Phillips tip	Phillips-driver bit for #2 size screw heads	
Nut driver, 14 mm	Special nut driver for removing the BNC connectors of the DVG7 module	003-A041-00

Replacing the Rear-Panel Connectors and Chassis

It is usually not necessary to replace the rear-panel connectors or chassis. However, if a connector or chassis becomes damaged, you can replace it.

Replacing the Rear-Panel Connectors

Perform the following procedure to replace the rear-panel connector:

1. Use the *Removing a Module* section to remove the DVG7 Generator module from the mainframe. (See page 1-41, *Removing a Module*.)
2. Disconnect the cables at P500 (SIGNAL 1) and P502 (SIGNAL 2) on the DVG7 circuit board. If Option BK is installed, also disconnect the cables at J800 (BLACK 1) and J802 (BLACK 2).
3. Use the 14 mm nut driver to remove the nut securing the damaged connector to the chassis. Pull the connector away.
4. Perform steps 2 and 3 in reverse order to replace the connector.

Replacing the Chassis

Perform the following procedure to replace the chassis:

1. Use the 14 mm nut driver to remove the nuts from each of the rear-panel connectors.
2. Use a screwdriver with a #2 Phillips tip to remove the six screws securing the DVG7 circuit board to the chassis.
3. Lift the circuit board up and away from chassis, and then place it on a static free surface.
4. If Option BK is installed, skip this step:
 - a. Use a screwdriver with a #2 Phillips tip to remove the two screws securing the rear panel to the chassis.
5. Set the replacement chassis on a firm, flat, static-free work surface.
6. If Option BK is installed, skip this step:
 - a. Use a screwdriver with a #2 Phillips tip to install the two screws securing the rear panel to the chassis.
7. Use a screwdriver with a #2 Phillips tip to install the six screws securing the circuit board to the chassis.

DVG7 Digital Video Generator Troubleshooting

This section contains instructions and procedures for troubleshooting the DVG7 Generator module. These procedures will help you decide whether it is necessary to replace your module.

If the TG700 mainframe does not boot up or if the display is not working, refer to the *TG700 Troubleshooting* section in this manual.

Equipment Required

The equipment listed in the following table is required for troubleshooting.

Table 8-3: Equipment required for DVG7 Digital Video Generator troubleshooting

Equipment description	Minimum requirements/example
Screwdriver handle	Accept Phillips-driver bits
#1 Phillips tip	Phillips-driver bit for #1 size screw heads
TG700 mainframe	A TG700 mainframe that is functioning correctly

Backing up the Instrument Settings

Before you begin the troubleshooting procedures, create a preset to save your instrument settings as follows:

1. Press the **MODULE** button until the mainframe main menu (TG700: PRESET) appears.
2. Press the **ENTER** button to access the PRESET submenu.
3. Press the up (▲) or down (▼) arrow button to select **SAVE**.
4. Press the left (◀) or right (▶) arrow button to select a preset number to save instrument settings.
5. Press the **ENTER** button to save the current instrument settings to the new preset.

After the problem is solved, recall the preset you created.

Troubleshooting Trees

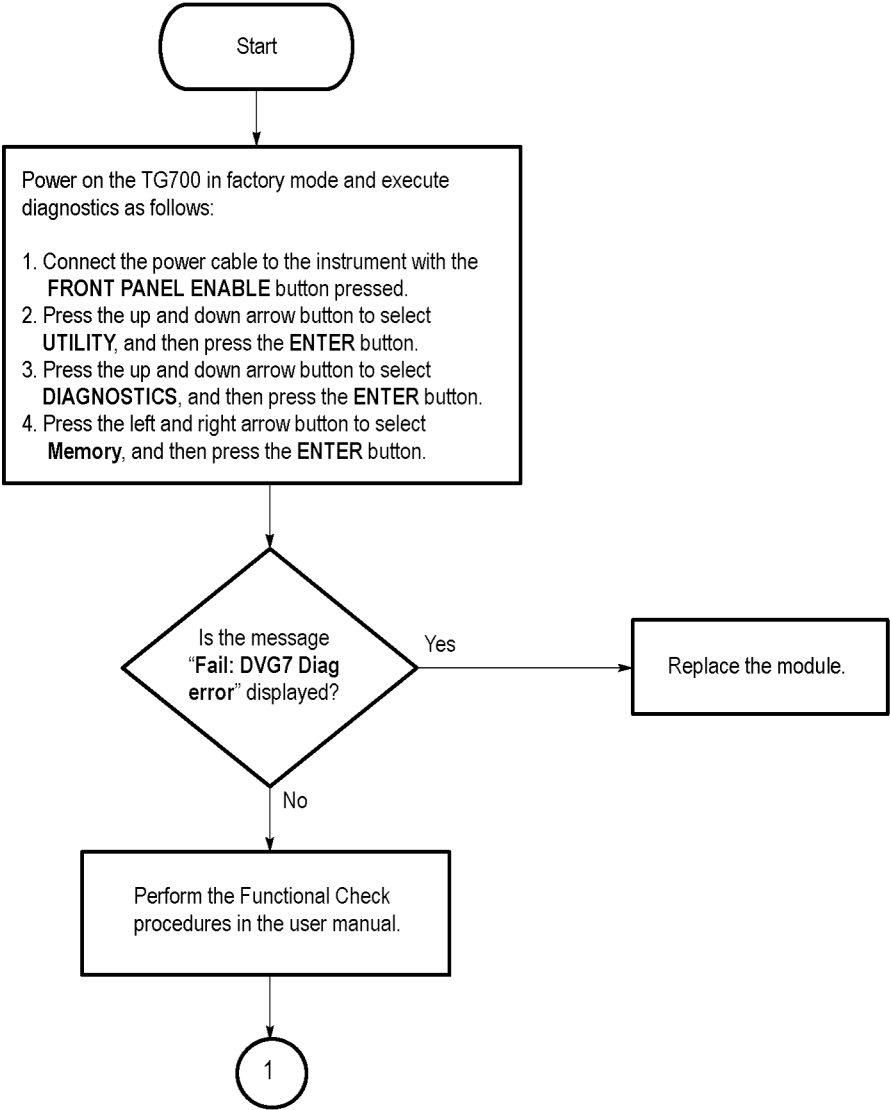


Figure 8-4: Troubleshooting procedure (1)

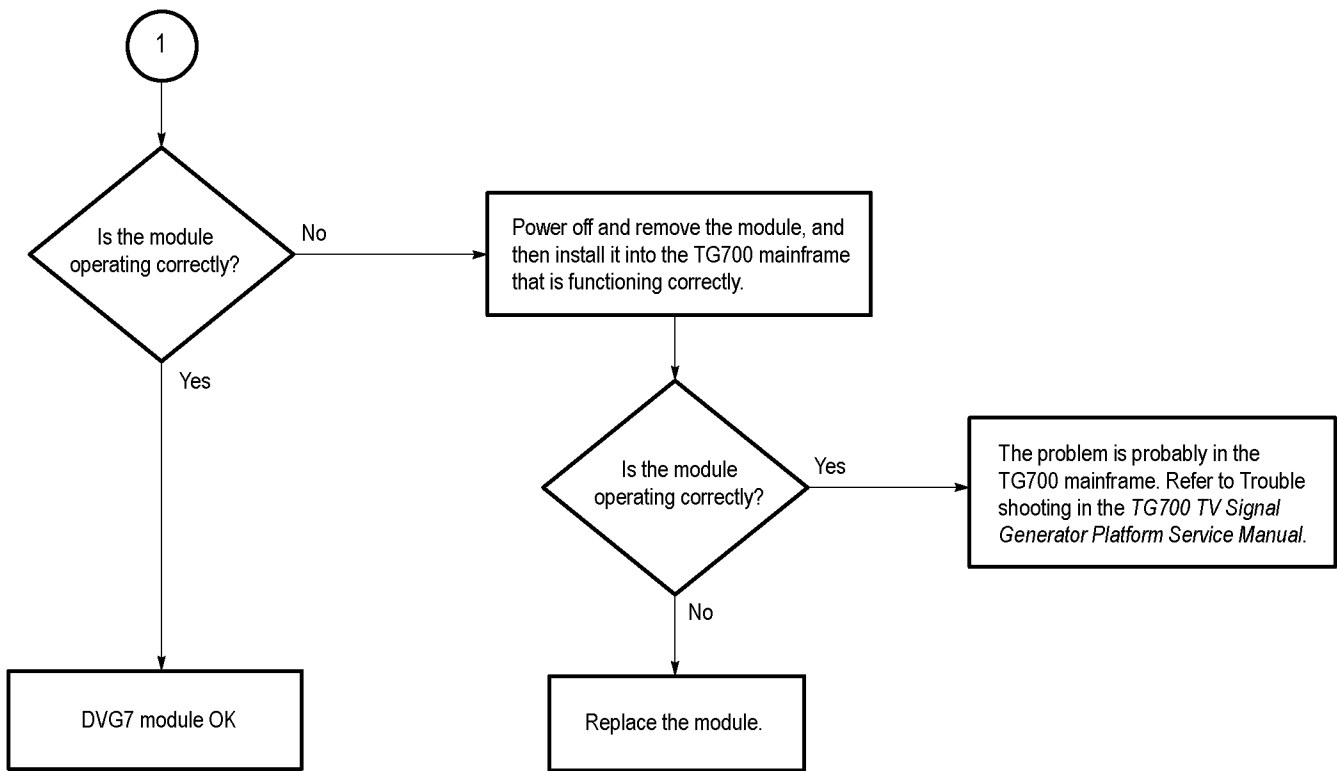


Figure 8-5: Troubleshooting procedure (2)

DVG7 Digital Video Generator Diagram

The following figure shows the DVG7 Generator module and how it interconnects with the TG700 TV Signal Generator Platform.

Diagrams showing mainframe component interconnections, such as power supply and oscillator, can be found in the *TG700 Diagram* section of this manual.

A block diagram of the DVG7 Generator module is located in the *DVG7 Theory of Operation* section. (See page 8-1.)

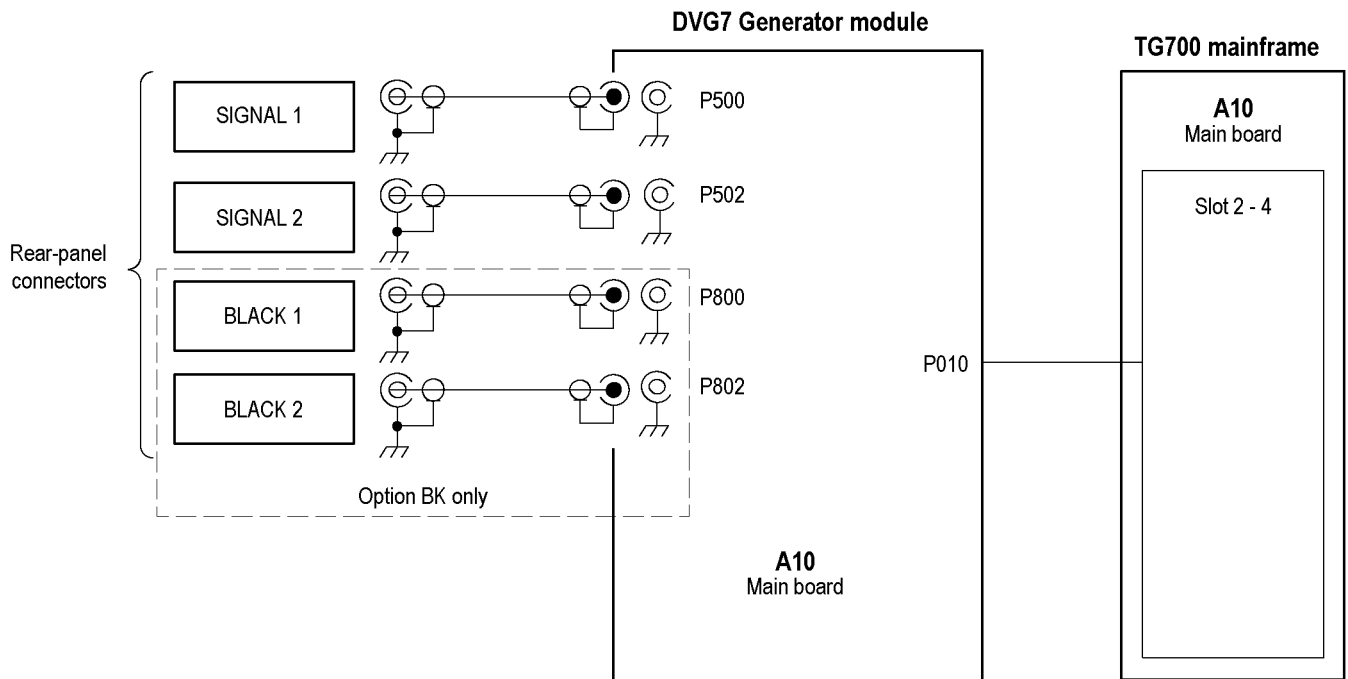


Figure 8-6: DVG7 Generator module connections

DVG7 Digital Video Generator Replaceable Parts List

This section contains a list of the replaceable modules for the DVG7 Generator module. Use this list to identify and order replacement parts.

Abbreviations Abbreviations conform to American National Standard ANSI Y1.1-1972.

Table 8-4: DVG7 Digital Video Generator – replaceable parts

Fig. & index number	Tektronix part number	Serial no. effective	Serial no. discont'd	Qty	Name & description
8-7-	116-A005-04			1	EXCHANGE MODULE:DVG7
	116-A006-04			1	EXCHANGE MODULE:DVG7-BK
8-7-1	441-A273-03			1	CHASSIS,MODULE DVG7:ASSY
-2	333-A407-00			1	PANEL,REAR:DVG7,AL
	333-A408-00			1	PANEL,REAR:DVG7 OPTION,AL
-3	214-4946-00			2	SPRING,CONICAL:VXI MOUNTING SCREW,0.26MM
-4	213-1129-01			2	SCREW,MACHINE:M2.5X11MM L,PAN HD,STL,NI PL,CROSS REC & SLOTTED
-5	348-A128-00			2.5 CM	SHLD GASKET,ELEK:FINGER TYPE,5.1MM LX6.4MM W,BE-CU [97-645-02]
-6	174-B846-00			2	CABLE ASSY,RF:75OHM,COAX(RG179),6CM L,BNC TO PL71-LP-1.5C
	174-B846-00			4	CABLE ASSY,RF:75OHM,COAX(RG179),6CM L,BNC TO PL71-LP-1.5C (OPTION BK)
-7	211-A245-01			8	SCREW,MACHINE:M3X6MM L,PNH,STL,NI PL,CROSS REC,W/KOGATAMARU & LOCK WASHER
	211-A245-01			6	SCREW,MACHINE:M3X6MM L,PNH,STL,NI PL,CROSS REC,W/KOGATAMARU & LOCK WASHER (OPTION BK)
-8	334-1378-03			1	MARKER,IDENT:MKD SERIAL NO.
STANDARD ACCESSORIES					
	070-A824-XX			1	MANUAL,TECH:MODULE INSTALLATION INSTRUCTIONS
	062-A249-XX			1	SOFTWARE PACKAGE:S/W(CD-R)
OPTIONAL ACCESSORIES					
	070-A800-XX			1	MANUAL,TECH:SERVICE,TG700
	003-A041-00			1	NUT DRIVER,BOX:14MM HEX,BNC RETAINING NUT,MODIFIED 19MM

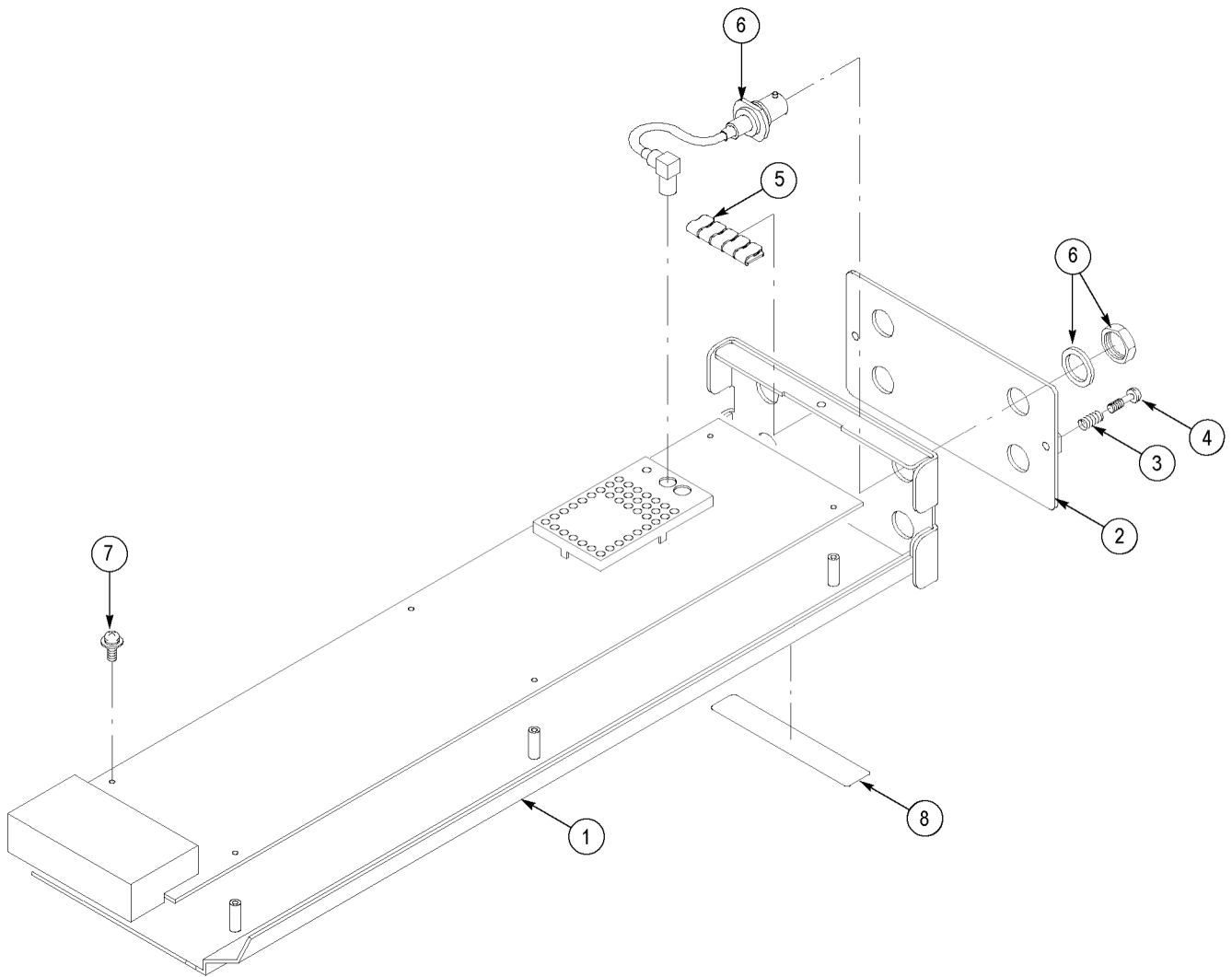


Figure 8-7: DVG7 Generator module exploded view

GPS7 GPS Synchronization and Timecode Module

GPS7 GPS Synchronization and Timecode Generator Theory of Operation

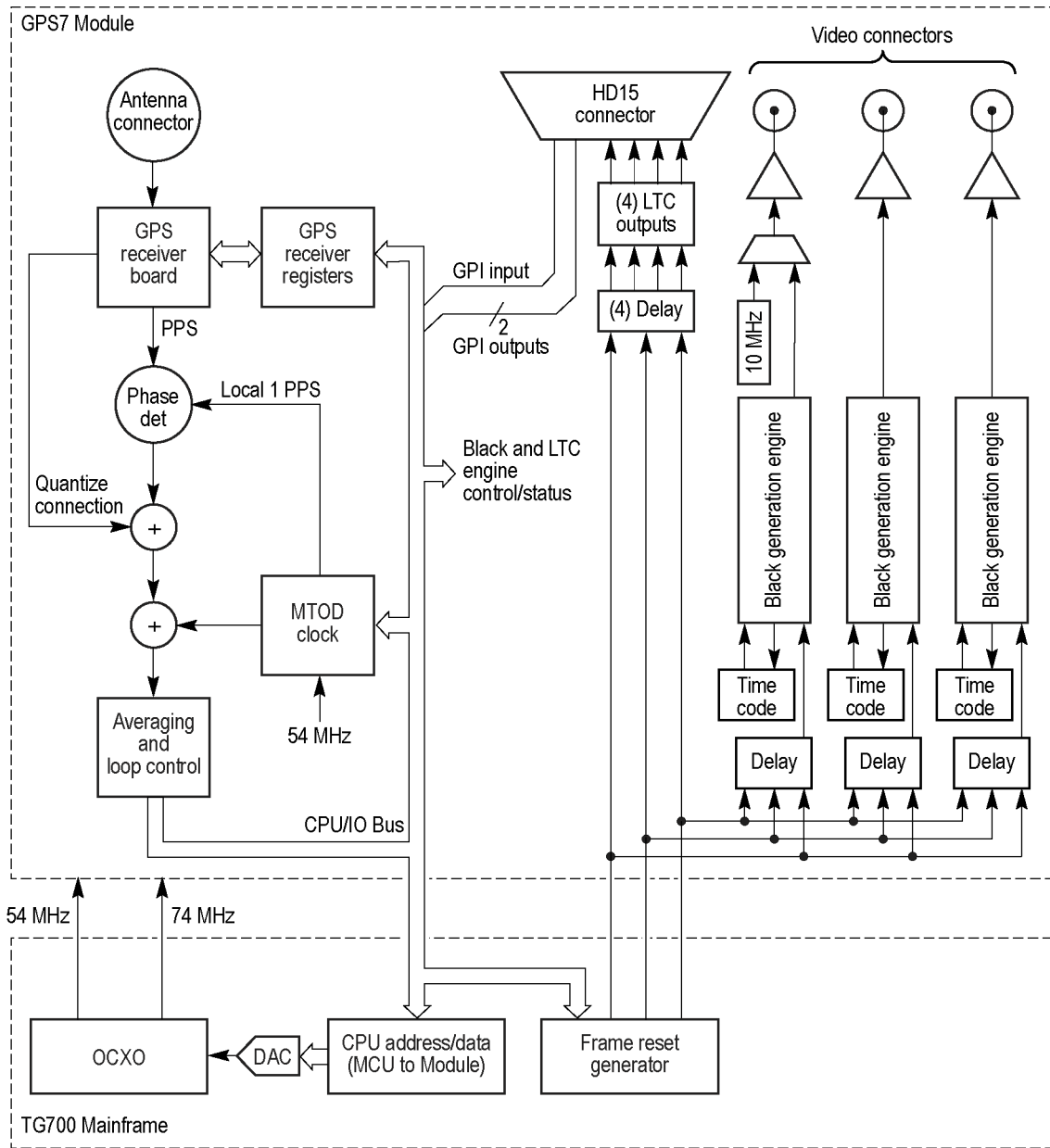
This section describes the basic operation of the major circuit blocks in the GPS7 module. (See Figure 9-1.)

All access to the GPS7 module occurs through the address and data busses, shown as the CPU I/O bus. The interface is a PLD on the GPS7 module, which is the central control interface for MCU data transactions to and from the GPS7 module.

- Antenna Connector** The GPS7 module requires an external antenna to receive the GPS time signals from up to 12 satellites. The antenna connector applies these signals to the GPS Receiver board.
- GPS Receiver Loop** The GPS Receiver board block is a Trimble Resolution-T module, which can track up to 12 satellites, and extract and average the time information from them.
- The GPS receiver produces a pulse at the rate of 1 pulse per second (PPS) which is compared to a locally generated pulse per second (Local 1 PPS) in the Phase Detector block. The output from the Phase Detector contains a Quantization Error due to the time sampling method used in the GPS receiver board. The GPS receiver also produces a serial data stream detailing the error (which can be up to 20 ns) that is arithmetically removed from the phase detector output (the Quantize Correction path). This corrected phase detector output can be seen on the module diagnostic display.
- The corrected phase is first filtered in the averaging and loop control block, and then read by software. The software then writes this to a DAC on the TG700 mainframe board to control the frequency of the mainframe master oscillator (OCXO). This frequency control value can also be seen on the module diagnostic display. The mainframe OCXO oscillator clocks the GPS7 Master Time of Day (MTOD) counter. This completes the loop, spread over the two boards, locking the mainframe oven and MTOD counter to the incoming GPS.
- The TG700 OCXO and related circuits produce the 54 MHz and 74 MHz clocks for all modules used in the TG700 Signal Generator System.
- MTOD Clock** The Master Time of Day (MTOD) clock contains the precise current time, which is phase locked to GPS time. The MTOD is used for all time code generation and positioning of the frame reset pulses.
- Outputs** The three Black Generation Engines and the four LTC engines each receive one of three frame reset pulses from the TG700 mainframe, which lock the video frames in all engines to exact references based on MTOD.

In order for many units to have the same phase when locked to GPS, the instrument times the frame pulses to an “Epoch.” This means they are timed as though they all started on the time indicated by TAI and the proposed SMPTE time of GMT midnight (00:00:00) on January 1st 1958. The video sequences generated by the GPS7 are set to the correct time by calculating the total time from the SMPTE epoch to the present, and adjusting the frame reset pulses accordingly. The frame reset pulses are used to reset the video generation outputs start position in time.

The GPS7 has 1 GPI (General Purpose Interface) input and 2 GPI outputs that can be set up for event triggering or detection as configured by the user. These are under SW control via FPGA registers.



0230-001

Figure 9-1: Simplified block diagram of the GPS7 Generator module

GPS7 GPS Synchronization and Timecode Generator Adjustment Procedures

The GPS7 GPS Synchronization and Timecode Generator has several adjustments associated with it, both to the module (Black Burst Amplitude and Black Burst Offset) and to the mainframe oscillator.

Requirements for Adjustment

Before doing the adjustment, note the following requirements.

Personnel	This procedure is only to be performed by trained service technicians.
Warm-Up Period	The GPS7 Generator module requires a 20 minute warm-up time in a +20 °C to +30 °C environment before it is adjusted. An external antenna or GPS signal must be connected during the warm-up time. Adjustment done before the operating temperature has stabilized may cause errors in performance.

Equipment Required

The following table lists the equipment required to perform the adjustments needed for this module.

Table 9-1: Equipment required for GPS7 GPS Synchronization and Timecode Generator Adjustment procedures

Item	No.	Minimum requirement	Recommended equipment
TV signal generator platform	1		Tektronix TG700
Digital multimeter	1	5 1/2 digits	FLUKE 8842A
75 Ω BNC cable	1	Length: 42 inches	Tektronix part number 012-0074-00
75 Ω coaxial precision terminator	1	75 Ω ±0.1%	Tektronix part number 011-0102-03
BNC T connector	1		Tektronix part number 103-0030-00
BNC female to dual banana adapter	1		Tektronix part number 103-0090-00

GPS7 Black Burst Adjustments

NOTE. *The instrument must have had a 20 minute warm-up with an antenna or GPS signal attached before starting this procedure.*

Black Burst Level and Offset Adjustments. Perform the following procedure to adjust the GPS7 Black Burst Level and Black Burst Offset.

1. Press the **MODULE**, **FORMAT**, and **FRONT PANEL ENABLE** buttons simultaneously, then release the **MODULE** and **FORMAT** buttons. Continue to hold the **FRONT PANEL ENABLE** button until you see the **Startup with Factory Mode** message, then release the button.
2. Connect the Black 1 output to the multimeter as shown. (See Figure 9-2.)

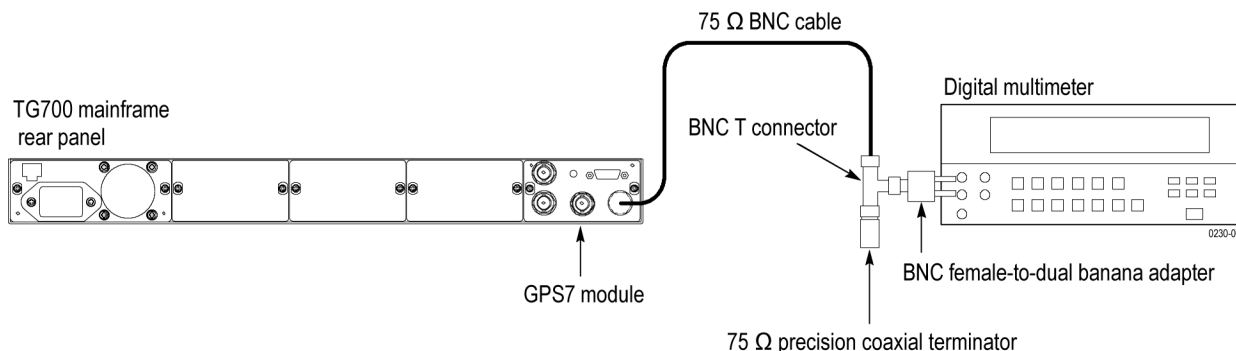


Figure 9-2: Equipment connections for GPS7 adjustments

3. Press the **MODULE** button to display the GPS7 main menu.
4. **Set the Black level:**
 - a. Press the up (▲) or down (▼) arrow button to select **SELECT OUTPUT**.
 - b. Press the left (◀) or right (▶) arrow button to select **BLACK 1**, and then press the **ENTER** button.
 - c. Press the up (▲) or down (▼) arrow button to select **CALIBRATION**.
 - d. Press the left (◀) or right (▶) arrow button to select **AMPLITUDE CALIBRATION**, and then press the **ENTER** button.
 - e. Press the left (◀) or right (▶) arrow button to select the **0 mV** signal.
 - f. Make a note of the voltmeter reading.
 - g. Press the left (◀) or right (▶) arrow button to select the **700 mV** signal.
 - h. Make a note of the voltmeter reading.
 - i. Subtract the voltage measured in part e. of this step (0 mV setting) from the voltage measured in part g. of this step (700 mV setting).
 - j. If the result is <698 mV or >702 mV, use the up (▲) or down (▼) arrow buttons to adjust the gain.
 - k. Repeat parts d. through i. of this step until the difference between the two signals is $700 \text{ mV} \pm 2 \text{ mV}$.

5. Press the **MODULE** button until **TG700** appears.
6. Press the up (▲) arrow button to select **UTILITY**.
7. Press the **ENTER** button.
8. Press the up (▲) arrow button to select **CAL OVEN : SELECT**.
9. Press the **ENTER** button to access the **Internal Frequency Calibration** submenu.
10. Press the **ENTER** button to execute the calibration. The resulting value should be between 6,000 and 20,000. If the value is outside this range the oven oscillator may need to be replaced.
11. Press the **ENTER** button to return.
12. Press the **CANCEL** button to exit the calibration menu when the calibration is complete.

Gain calibration. Perform the following procedure to characterize the oscillator frequency as a function of voltage. This adjustment needs to be performed in factory mode and is only needed once to characterize the oscillator.



CAUTION. *To avoid signal errors, only perform the Gain Calibration when the instrument is out of service. This calibration temporarily disrupts the frequency of all signals in the instrument.*

1. If proceeding from the previous procedure, skip to step 8 of this procedure.
2. Connect a GPS signal to the antenna input on the rear of the module.
3. Press the **MODULE**, **FORMAT**, and **FRONT PANEL ENABLE** buttons simultaneously, then release the **MODULE** and **FORMAT** buttons. Continue to hold the **FRONT PANEL ENABLE** button until you see the **Startup with Factory Mode** message, then release the button.
4. Allow the instrument to warm up for a minimum of 20 minutes.
5. Press the **MODULE** button until **GPS7 : STATUS** appears.
6. Check that the signal status shows **Locked**.
7. Check that signal lock indicator displays **Fine**:
 - a. Press the up (▲) arrow button to select **DIAGNOSTICS**.
 - b. Press the **ENTER** button.
 - c. Press the right (▶) arrow button to select **TUNE**.
 - d. Check that **Fine** is showing on the right side of the LCD display.

8. Press the **MODULE** button until **TG700** appears.
9. Press the up (**▲**) arrow button to select **UTILITY**.
10. Press the **ENTER** button.
11. Press the up (**▲**) arrow button to select **CAL OVEN : SELECT**.
12. Press the right (**▶**) arrow button to access the **Gain Calibration** submenu.
13. Press the **ENTER** button to calculate the gain value.
14. Wait approximately 20 seconds for the process to end.
15. The result is displayed, and should be between 125 and 185. If it is close to the ends of this range the oscillator may need servicing.
16. Press the **ENTER** button to return.
17. Press the **CANCEL** button to exit the calibration menu when the calibration is complete.
18. Wait an additional 2 minutes for the loop to fully recover before returning the TG700 to service.

GPS7 GPS Synchronization and Timecode Generator Maintenance

This section contains instructions and procedures for maintaining the GPS7 module. Before following these procedures, read *Maintenance for Generators and Modules*. (See page xix.)

The following information can be found in this section:

- Removal and Replacement (See page 9-9.)
- Troubleshooting

If the instrument does not function properly, troubleshooting and corrective measures should be taken immediately to prevent additional problems.

NOTE. *Contact your local Tektronix representative for information on where to return your instrument if it requires repair during the warranty period.*

GPS7 GPS Synchronization and Timecode Generator Removal and Replacement

This section contains instructions on how to remove and replace the customer parts of the GPS7 module.

Tools Required

Table 9-2: Required tools for GPS7 removal and replacement

Name	Description	Tektronix part number
Screwdriver handle	Accepts 1/4 inch screwdriver bits	Standard tool
T10 TORX tip	TORX driver bit for T10 size screw heads	Standard tool
Flat or Phillips tip	Small tip for removing the module from the mainframe	Standard tool
9/16 inch wrench	Wrench or deep nut driver, to remove nuts from BNC connectors	Standard tool
3/16 inch socket	Socket or nut driver to remove jackscrews from DSUB connector	Standard tool

Remove the GPS7 Module

Use the *Removing a Module* section to remove the GPS7 module from the mainframe. (See page 1-41, *Removing a Module*.)

Replacing the ANTENNA POWER Indicator (Light Pipe)



CAUTION. Do not remove the light pipe board connector from the board unless you have a replacement board connector available. Removing the light pipe board connector damages it, so it can not be reused.

1. Pull the light pipe out of its board connector. This is a slip-fit and should come apart easily.
2. Remove the external rear panel:
 - a. Use the $\frac{9}{16}$ inch wrench to remove the nuts from the four BNC connectors on the rear panel.
 - b. Move the external rear panel away from the chassis, pulling the light pipe out with it.
3. Pull the light pipe out of the light pipe lens in the external rear panel. This is a slip-fit and should come apart easily.
4. Gently remove the light pipe lens from the external rear panel.
5. When reassembling, follow this sequence:
 - a. Insert the light pipe into the light pipe lens.
 - b. Thread the light pipe through the external rear panel until the lens is against the rear panel.
 - c. Gently push the light pipe lens into place in the rear panel.
 - d. Replace the external rear panel.
 - e. Plug the light pipe into the light pipe board connector.

Replacing Damaged Connectors

NOTE. The **Black 1**, **Black 2**, and **Black 3** BNC connectors are not customer replaceable.

Antenna connector. To remove the Antenna connector:

1. Use the $\frac{9}{16}$ inch socket to remove the nut on the **Antenna** BNC connector. When reinstalling, tighten the nut to 14 in/lb.
2. Unplug the RF coaxial cable from P1 on the Trimble GPS Receiver board.
3. Remove the **Antenna** connector, threading the cable through the rear panel.

LTC/GPI connector. to remove the LTC/GPI connector:

1. Use the $\frac{3}{16}$ inch hex driver to remove the jackscrews securing the LTC/GPI connector to the rear panel. When reinstalling, use the hex driver to tighten the jackscrews hand tight.
2. Unplug the LTC/GPI cable from J10 on the GPS7 Main board and remove it from the cable clamp.

When reinstalling, twist the cable twice before plugging it in to J10 on the Main board.

3. Remove the LTC/GP DSUB connector and cable.

Replacing the Chassis

1. Pull the light pipe out of its board connector. This is a slip-fit and should come apart easily.
2. Remove the external rear panel:
 - a. Use the $\frac{9}{16}$ inch wrench to remove the nuts from the four BNC connectors on the rear panel.
 - b. Move the external rear panel away from the chassis, pulling the light pipe out with it.
3. Unplug the RF coaxial cable from P1 on the Trimble GPS Receiver board, and remove the Antenna connector and cable.
4. Use the $\frac{3}{16}$ inch hex driver to remove the jackscrews securing the LTC/GPI connector to the rear panel. When reinstalling, use the hex driver to tighten the jackscrews hand tight.
5. Remove the LTC/GPI connector from the rear panel.
6. Remove the four T10 screws that attach the circuit board to the chassis. When reassembling, torque these screws to 8 in/lb.
7. Lift the Main board assembly off of the chassis and set it on a static-free worksurface.

GPS7 Troubleshooting

This section contains instructions and procedures for troubleshooting the GPS7 GPS Synchronization and Timecode Generator module. These procedures will help you decide whether it is necessary to replace your module.

If the TG700 mainframe does not boot up or if the display is not working, refer to the *TG700 Troubleshooting* section in this manual.

Required Equipment The equipment listed here is needed to troubleshoot the GPS7 GPS Synchronization and Timecode Generator.

Table 9-3: Equipment required for GPS7 GPS Synchronization and Timecode Generator troubleshooting

Equipment	Requirement	Suggested equipment
TG700 mainframe	For the GPS7 module under test	Tektronix TG700
TG700 mainframe with GPS7 installed	Fully functional, operating system, for reference	Tektronix TG700 with GPS7 module
Waveform monitor	Used to verify correct GPS phase lock operation. Must be able to lock to a reference and display composite inputs	Tektronix WFM7120
GPS Antenna signal source (2)	Good GPS signal required for both the GPS7 under test and the reference unit. If only one antenna feed is available, a signal splitter may be used	
Digital Multimeter	Used to check power supply voltages and fuses	Fluke 87 or equivalent
75 Ω BNC cables (4)	Length: 42 inches, used to connect the instruments	Tektronix part number 012-0074-00
ROHS compliant ESD safe soldering workstation	The GPS7 boards do not contain any user-serviceable parts, but any soldering must be ROHS compliant	
Frequency Counter (optional)	Used for an alternate method to check frequency accuracy	Fluke PM6685 or equivalent

Problem Identification If there is a problem, first perform the GPS7 Performance Verification procedure, found in the *TG700 TV Signal Generator Platform Specifications and Performance Verification* manual, available on the Web at www.tektronix.com/manuals. Any problems found with that procedure can be a starting point for troubleshooting.

General problems and actions to follow are shown in the following table. (See Table 9-4.)

Table 9-4: GPS7 Troubleshooting

Problem	Actions
<ul style="list-style-type: none"> • Fails Power On Self Test (POST) • GPS7 does not appear in menu 	<ul style="list-style-type: none"> • Verify the GPS7 module is installed in slot 1 of the mainframe. • Run power on test procedure. (See page 9-14, <i>Power On Self Test</i>.) • Check for current software. (See page 9-14, <i>Check installed software</i>.) • Run power supply test. (See page 9-16, <i>Power supply test</i>.) • Swap the module with a known good GPS7 module and try again.
<ul style="list-style-type: none"> • GPS7 does not lock • GPS7 does not acquire satellite 	<ul style="list-style-type: none"> • Run power on test procedure. (See page 9-14, <i>Power On Self Test</i>.) • Check DC antenna power voltage. (See page 9-20, <i>DC Antenna output power voltage</i>.) • Check GPS antenna signal source. (See page 9-15, <i>Check GPS antenna signal source</i>.) • Check diagnostics reported values. (See page 9-16, <i>Check diagnostic reported values</i>.) • Swap the module with a known good GPS7 module and try again.
<ul style="list-style-type: none"> • Unstable lock (determined by Performance Verification or through normal use) 	<ul style="list-style-type: none"> • Verify 20 minute warm-up, then recheck stability relative to reference unit. • Check GPS antenna signal source. (See page 9-15, <i>Check GPS antenna signal source</i>.) • Verify configuration. (See page 9-14, <i>Verify Configuration</i>.) • Check diagnostics reported values. (See page 9-16, <i>Check diagnostic reported values</i>.) • Run Internal Mode Oven test. (See page 9-21, <i>Internal mode oven test</i>.) • If both units have not acquired position, run Acquire New Position procedure.
<ul style="list-style-type: none"> • Frame phase wrong (determined by Performance Verification) • Time of Day wrong 	<ul style="list-style-type: none"> • Verify configuration. (See page 9-14, <i>Verify Configuration</i>.) • Check time zone offset configuration and time of day source. See the TG700 User manual for directions. • Check diagnostics reported values. (See page 9-16, <i>Check diagnostic reported values</i>.) • Run Acquire New Position procedure. (See page 9-20, <i>Acquire new position</i>.)
<ul style="list-style-type: none"> • No Black Burst outputs • No LTC outputs 	<ul style="list-style-type: none"> • Run power supply test. • Verify configuration. (See page 9-14, <i>Verify Configuration</i>.) • Check diagnostics reported values. (See page 9-16, <i>Check diagnostic reported values</i>.) • Swap modules/mainframes. • If no other problem found, replace the GPS7 module.
<ul style="list-style-type: none"> • Long lock time 	<ul style="list-style-type: none"> • Check GPS antenna signal source. (See page 9-15, <i>Check GPS antenna signal source</i>.) • Adjust oven oscillator. (See page 9-20, <i>Oven oscillator frequency adjustment</i>.) • Adjust oscillator gain. (See page 9-7, <i>Gain calibration</i>.) • Verify configuration. (See page 9-14, <i>Verify Configuration</i>.) • Check diagnostics reported values. (See page 9-16, <i>Check diagnostic reported values</i>.) • If no other problem found, replace the GPS7 module.

Procedures **Power On Self Test.** When you first apply power to a TG700, it runs a Power On Self Test (POST). If an error is encountered during this POST the display will show one of several error codes. (See Table 9-5.) Watch the display during boot up and note any error codes.

Table 9-5: POST Error codes

Error Code	Meaning	Action	
1:	CPLD constant 1 check (0xAAAA or 0x00AA based on cpld version at addr 0x8)	Try another GPS7 module in the mainframe slot 1. If you do not have another module, or if the 2 nd module does not show an error code, return the GPS7 module for repair	
2:	CPLD constant 2 check (0x5555 or 0x0055 based on cpld version at addr 0xA)		
3:	CPLD R/W error (writes 0x5555 to addr 0x102 and confirms)		
4:	CPLD R/W error (writes 0xAAAA to addr 0x102 and confirms)		
5:	Error copying DO Fpga to GPS7 EEPROM		
7:	Error copying BB Fpga to GPS7 EEPROM		
9:	DO Fpga constant check (0x55 at addr 0x501000)		
10:	DO Fpga R/W error (writes 0x5555 to addr 0x501024 and confirms)		
11:	DO Fpga R/W error (writes 0xAAAA to addr 0x501024 and confirms)		
12:	BB Fpga R/W error (writes 0x5555 to addr 0x400008 and confirms)		
13:	BB Fpga R/W error (writes 0xAAAA to addr 0x400008 and confirms)		
14:	DO fpga Trimble Module communications error - GPS receiver is disconnected or failed		
255:	Not an error. This code may appear following some firmware updates.		No action

Check installed software. Use this procedure to check the installed software versions:

1. Access the Utilities menu.
 - a. From the TG700 main menu, press the up (▲) or down (▼) arrow buttons to select **UTILITY**.
 - b. Press the **ENTER** button to enter the utility submenu.
2. Access the Software Version information.
 - a. Press the up (▲) or down (▼) arrow buttons to select **VERSION INFO (F/W) CPU [0]**.
 - b. Read the firmware version.
3. If the CPU is not **Ver. 5.11** or later, then install current software. The latest software is available on the Web at www.tektronix.com/software.
4. Check that the GPS7 module version is v5.12 or later.
 - a. Press the left (◀) or right (▶) arrow buttons to select **GPS7 [1]**.
 - b. Read the firmware version.
5. If the GPS7 software is not **Ver. 5.12** or later, then install current software. The latest software is available on the Web at www.tektronix.com/software.

Verify Configuration. Before beginning any of these procedures, the GPS7 under test and the GPS7 reference unit must be configured to correctly use the GPS

signal. If they do not have the correct configuration it will cause problems while troubleshooting.

The best way to ensure a common setup is to set both instruments to the factory presets:

1. Press the **MODULE** button until **TG700** appears.
2. Press **ENTER** to select **PRESET**.
3. If needed, use the up (**▲**) or down (**▼**) arrow buttons to select **Recall**.
4. Press the left (**◀**) arrow button until **Factory Preset** appears.
5. Press the **ENTER** button to load the preset.
6. When loading is complete, press the **CANCEL** button to exit the Factory Default menu.

When finished troubleshooting, disconnect and reconnect the power cord, to cycle the power. This will return the unit(s) to the user settings that were in effect before invoking the factory presets.

Check GPS antenna signal source. For proper operation, an outside antenna signal source must be connected to the GPS7 module, and functioning correctly. If a sufficient signal is not applied to the antenna connector the GPS7 module will not operate properly. Use this procedure to verify the antenna signal:

1. Press the **MODULE** button to select **GPS7 [1]**.
2. If necessary, use the up (**▲**) or down (**▼**) arrow buttons to select **STATUS**.
3. Use the left (**◀**) or right (**▶**) arrow buttons to select **Signal Quality**.

Wait for the Signal Quality readout to stabilize. This may take several minutes.

4. Check **Signal Quality** and **Sats tracked**.
5. If signal quality is ≥ 30 and the number of satellites is ≥ 4 , then end this test. If not, then continue.
6. If the GPS7 module under test is the antenna power source, check that the GPS7 module is set to the correct antenna voltage:
 - a. Press the up (**▲**) or down (**▼**) arrow buttons to select **GPS SETUP**.
 - b. Press the **ENTER** button to enter the setup submenu.
 - c. If necessary, use the up (**▲**) or down (**▼**) arrow buttons to select **ANTENNA POWER**.
 - d. Check for proper antenna power setting.
 - e. Check the **Antenna Power** LED. If the LED is red or blinking green, check for a problem with the antenna or the cabling system, such as an RF splitter that blocks or short circuits the antenna power DC voltage.

7. Check the DC antenna output power voltage. (See page 9-20, *DC Antenna output power voltage*.)
8. Repeat parts 1 through 5 of this procedure for the reference unit. If the reference unit passes, then exchange antenna feeds between the reference unit and the GPS7 unit under test and retest the GPS7 unit under test.
9. If the GPS7 unit under test does not receive a GPS signal on a known, good, antenna, then replace the GPS7 module.

Check diagnostic reported values. There are several internally detected physical measurements which are reported by the GPS7 module. Check the following (see the *TG700 User* manual for detailed procedures).

- **Temperature:** Temperature is detected on the Trimble GPS receiver board. This temperature is normally about 15 °C above ambient temperature. If the temperature is very high or low, check that the fan is operating, the installation clearances are correct, and that all cables in the GPS7 module are connected properly. If there is still a problem, replace the GPS7 module.
- **Tune – Phase:** The Phase value indicates the second by second differences between the Pulse per Second (PPS) signal from the GPS receiver and the Local 1 PPS signal from the Master Time of Day clock. At lock this signal should be near hex 8000 0000.
- **Tune – DAC:** This indicates the current value written to the DAC on the Main board that controls the Oven Oscillator. The legal range for this value is 0 to 32,767, but when locked the value should be in the range of 6,000 to 20,000 to allow for fast locking and drift compensation. If the unit locks well but these values are out of this range, then replace the Main board.
- **Voltage Mon 1 (+5V, +8V), Voltage Mon 2 (-5V rel to +3.3V):** The voltage monitors measure the mainframe supplies, If the display indicates they are out of range, then check them manually. (See page 9-16, *Power supply test*.) If one of these supplies is bad, then replace the Main board. If manual measurement shows that the supplies are correct, then the GPS7 module is not measuring them correctly. Replace the GPS7 module.
- **PHASE DET RAMPS (Up: A, Up: B), PHASE DET RAMPS (Down: A, Down: B):** These four values show critical values in the phase detector. The values may vary from unit to unit, as a result of the auto-calibration that adjusts them, but if all the power supplies are good and any of the ramp diagnostics indicate “WARN” (for Warning), then replace the GPS7 module.

Power supply test. There are two types of power supplies in the GPS7 module; those supplied by the TG700 mainframe and those that are derived on the GPS7 from the mainframe supplies. The ones supplied by the mainframe are fused on the GPS7 module; they have an 'M' at the start of the supply name. (See Table 9-6.) Derived supplies depend on the mainframe supply fuses for protection.

Access. To perform the power supply tests you must first remove the TG700 top cover. (See page 1-15, *Top Cover*.) Then use the following flowchart and table of power supply test points to determine if the GPS7 power supply is operating correctly. (See Figure 9-3.) (See Table 9-6.)

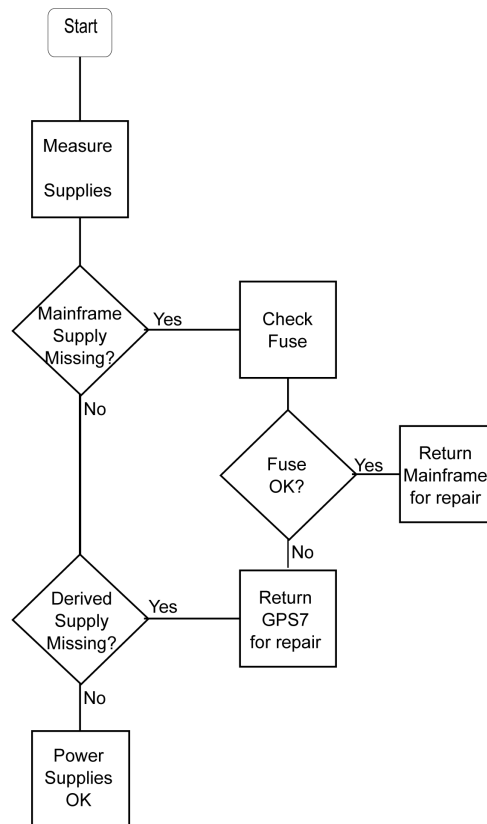


Figure 9-3: GPS7 power supply test

Table 9-6: Power supply test points

Test point	Supply name	Limits	Notes
Mainframe supplies			
TP111	M+5VD	+4.75 V to +5.25 V	Mainframe Fused 5 V digital supply, fuse F132
TP211	M+3.3V	+3.1 V to +3.5 V	Mainframe Fused 3.3 V digital supply, fuse F131
TP213	M-5VA	-4.75 V to -5.25 V	Mainframe Fused -5 V analog supply, fuse F111
TP214	M+5VA	+4.75 V to +5.25 V	Mainframe Fused +5 V analog supply, fuse F121
TP215	M+8V	+7.6 V to +8.4 V	Mainframe Fused +8 V analog supply, fuse F122
Derived supplies			
TP311	ANT+5V	0 to 5.8 V	Switched GPS antenna supply – user setup
TP411	RAMP+7V	6.75 V to 7.25 V	Derived from M+8V
TP511	RAMP-4V	-4.25 V to -3.75 V	Derived from M-5V
TP711	CIR+2.5V	2.375 V to 2.625 V	Derived from M+3.3V
TP911	VID+4.1	4.08 V to 4.11 V	Derived from M+5VA
TP821	LTC+3.3V	3.30 V to 3.39 V	Derived from M+5VA
TP0821	BB+1.2V	1.15 V to 1.25 V	Derived from M+3.3V
TP0421	DO+1.2V	1.15 V to 1.25 V	Derived from M+3.3V, test point is under Trimble GPS receiver board

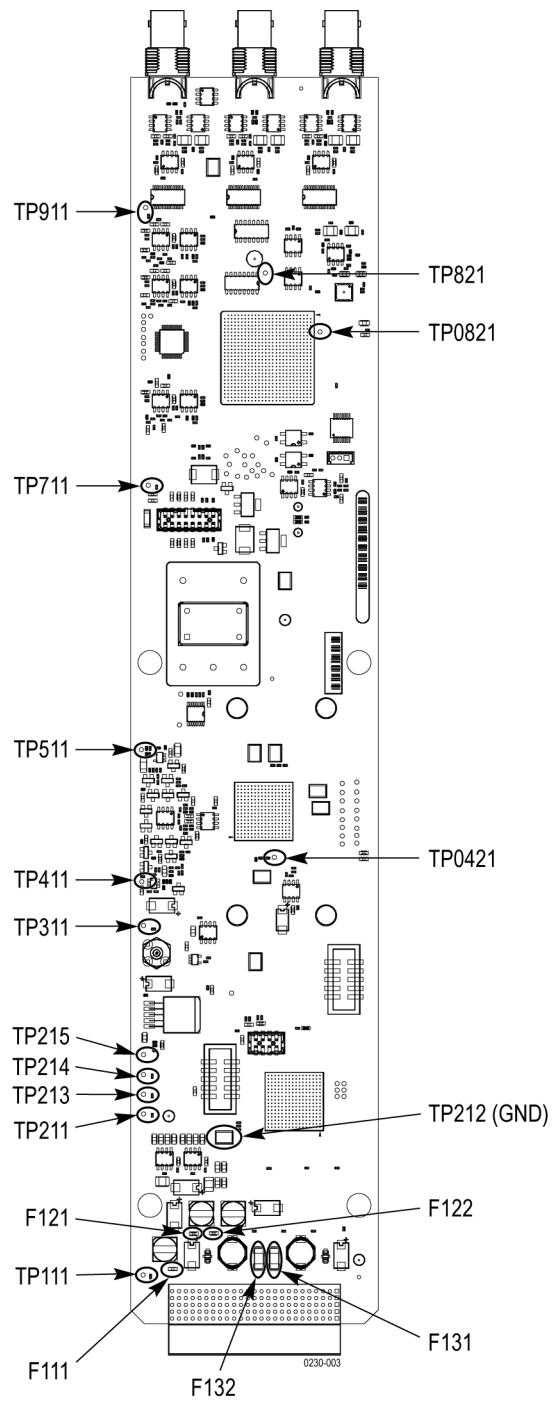


Figure 9-4: GPS7 voltage test point and fuse locations

Oven oscillator frequency adjustment. The oven oscillator frequency adjustment saves the current tune voltage for the oven. This will be used when the instrument is in “internal” mode. If the instrument is locked to a GPS signal, this should be done periodically to account for crystal drift. This adjustment can be done without any disruption to operation, and is best done in the instrument’s operating environment. This adjustment can be done without putting the instrument into ‘Factory Mode,’ so the instrument does not have to be taken out of service.

1. Allow the instrument to warm up for a minimum of 20 minutes with a GPS signal connected.
2. Verify that the instrument is locked to the GPS signal.
3. Make sure the instrument is in “Fine” mode.
4. Navigate to TG700 Utilities: Oven frequency Calibration.
5. Press the **ENTER** button to save the current oven tune value.
6. Note the value displayed. Normally this value will be in the range of 12,000 to 14,000. If it is <6,000 or >20,000 then the oven is near the end of it’s tune range, and the main board should be replaced.

Gain calibration. Perform a Gain calibration, as shown in the Adjustment Procedures, to characterize the oscillator frequency as a function of voltage. This adjustment needs to be performed in factory mode and is only needed once to characterize the oscillator. (See page 9-7, *Gain calibration*.)

Acquire new position. The GPS7 module must have a valid 3D GPS position to properly lock to GPS time. If the GPS antenna is moved, a new position must be acquired for correct time information. There must be a good antenna feed, and the GPS receiver must be locked to at least four GPS satellites for this procedure to complete successfully. The unit will require approximately 60 seconds to acquire a new position.

1. Navigate to GPS7:GPS SETUP:ACQUIRE POSITION, and then press the **ENTER** button.
2. Select GPS7:STATUS.
3. Wait until the status display shows Locked.
4. This process requires four satellites to complete successfully. If the signal is marginal the acquisition may take longer. If the signal is poor, or if there is no signal, the acquisition will not finish.

DC Antenna output power voltage. The GPS7 module is capable of providing power to a GPS antenna. Use this procedure to verify that the GPS7 module is providing power correctly.

1. Disconnect the antenna from the GPS7 module.
2. Connect the voltmeter to the GPS7 Antenna input, using a coaxial cable, BNC T connector, and a BNC to Banana plug adapter. Do not connect a terminator at this time. The Antenna Power light should be blinking green.
3. Make note of the voltmeter reading, for later use.
4. Set the antenna voltage to 3.3 V.
5. Check the voltmeter reading. It should be between 3.1 V and 4.0 V.
6. Set the antenna voltage to 5 V.
7. Check the voltmeter reading. It should be between 5 V and 6 V.
8. Connect a 75 Ω precision terminator to the BNC T connector, to simulate a typical load. The Antenna Power light should change from blinking green to solid green.
9. Check the voltmeter reading. It should be between 4 V and 5 V.
10. If the GPS7 module does not provide the correct voltages, replace the GPS7 module.
11. Disconnect the cable from the GPS7 Antenna connector.
12. Reset the GPS7 module to the voltage noted in step 3, or to the correct voltage for the antenna in use.
13. Reconnect the antenna.

Swap modules and mainframes. If you have other TG700 modules or mainframes available, they can be used to help isolate problems.

- Swap the GPS7 module into slot 1 of another TG700 mainframe. If the GPS7 module works in that mainframe the problem is in the original mainframe.
- Swap a second GPS7 module into slot 1 of the test mainframe. If this module works in the test mainframe the problem is the original GPS7 module.
- Put a module of a different type into slot 1 of the test mainframe. An AGL7 module is a good one to use, as it uses most of the same signals as a GPS7 module. If that module works in the test mainframe then suspect the original GPS7 module, but the problem could still be in the mainframe.

Internal mode oven test. Perform this procedure to determine if the oven oscillator is working and within specifications.

1. Set the GPS7 module under test to internal reference mode.
 - a. Press the **Module** button to select **GPS7 [1]**.
 - b. Press the up (**▲**) or down (**▼**) arrow buttons to select **REFERENCE**, and then press the **ENTER** button.

- c. If necessary, press the up (▲) or down (▼) arrow buttons to select **SOURCE**.
 - d. Press the left (◀) or right (▶) arrow buttons to select **Internal**, and then press the **ENTER** button.
2. Use the frequency accuracy setup from the *TG700 Specifications and Performance Verification* manual (available on the Web at www.tektronix.com/manuals) to compare the Black Burst signals from the instrument under test to the reference unit. An alternate way to check frequency accuracy follows step 4.
3. Since the instrument under test is in internal mode the timing may shift. The vector will probably spin relative to the reference unit, which is locked to GPS.
4. Use the timing display to measure how fast the timing is shifting. A 1 μs shift per second equates to a 1 ppm difference in the time bases of the two units. Measure the timing shift for a reasonable time and then calculate the frequency error. For example, a 25 μs shift in 10 seconds = $25/10 =$ a 2.5 ppm error.

Go to step 7.

Alternate procedure:

As an alternative to using a reference TG700/GPS7 unit, you can use a frequency counter to determine the frequency error.

5. Connect the frequency counter to the **BLACK 3** output.
6. Configure the **BLACK 3** output to produce a 10 MHz CW signal.
 - a. Press the **MODULE** button to select **GPS7**.
 - b. Use the up (▲) or down (▼) arrow buttons to select **SELECT OUTPUT**.
 - c. Press the left (◀) or right (▶) arrow buttons to select **BLACK 3**. Press the **ENTER** button to confirm this selection.
 - d. If necessary, press the up (▲) or down (▼) arrow buttons to choose **SELECT FORMAT**.
 - e. Use the left (◀) or right (▶) arrow buttons to choose **CW 10 MHz**. Press the **ENTER** button to confirm this selection.
 - f. Measure the frequency accuracy directly. At 10 MHz, 1 ppm = 10 Hz, so a measured frequency of 10,000,010 Hz is 1 ppm high.
7. If the difference is >1 ppm then the mainframe may need calibration, or the oven may not be able to tune to the correct frequency.
8. If the GPS7 module will lock to GPS, then perform an oven calibration. (See page 9-6, *Internal frequency calibration*.) If that fixes the problem then the system is functioning correctly.

9. If the GPS7 module will not lock but you have an AGL7 module, you can perform an oven calibration using that module. If that works then the mainframe oven is functioning correctly.
10. If the internal frequency is >3 ppm off, or steps 8 or 9 are not able to calibrate it to the correct frequency, then replace the mainframe.

GPS7 GPS Synchronization and Timecode Generator Replaceable Parts List

Table 9-7: GPS7 Synchronization and Timecode Generator — replaceable parts

Fig. & index number	Tektronix part number	Serial no. effective	Serial no. discontin't'd	Qty	Name & description
9-5-1	352-1117-00			1	LIGHT PIPE SET:1 BD CONN, 1 LIGHT PIPE, 1 LENS
-2	174-5509-00			1	CABLE,FEMALE SMB TO FEMALE BNC,8.0IN.
-3	214-3903-00			2	*VENDOR: LYNTRON...SCREW, JACK; 4-40 X 0.312 LONG, 0.188 H HEX HEAD STAND OFF, 4-40 INT THD, X 0.312 THD EXT 4-40, STEEL, SN PLATED
-4	214-4946-01			2	SPRING; CONICAL,VXI MOUNTING SCREW,0.26 MM SUS304,5.4 MML
-5	213-1129-01			2	SCREW,MACHINE; M2.5 X 11MM L,PAN HD,STL,NI PL,CROSS REC & SLOTTED
-6	210-1039-00			3	WASHER,LOCK; 0.521 ID,INT,0.025 THK, STEEL, ZINC FINISH
-7	220-0497-00			3	NUT, PLAIN, HEX; .5-28 X .562 HEX, BRS, NI (NICKEL) PLATED
-8	333-4575-00			1	PANEL, REAR; SAFETY CONTROLLED
-9	441-2544-00			1	CHASSIS, MODULE
-10	211-0408-00			8	SCR, ASSY, WSHR; 4-40 X 0.250, PNH, STEEL, ZINC FINISH, T-10 TORX DR, SEMS
-11	116-1144-00			1	MODULE ASSEMBLY; GPS7
-12	174-5521-00			1	CABLE, 2X4, 2MM PITCH, FEMALE TO FEMALE SQUARE PINS
-13	119-7518-00			1	MODULE, GPS; TIMING, 1PPS +/-15NS; 3.3V, 0.35W, 1575.42 MHZ L1; 2.6 X 1.3 X 0.33, TRIMBLE RESOLUTION T, 119-7464-00 MODIFIED TO HAVE GOLD PINS
-14	174-5511-00			1	CABLE, DSUB TO BOARD 15 CONDUCTOR
-15	343-1584-00			1	CLAMP; WIRE ROUTING,0.51 H X 0.625W,NYLON

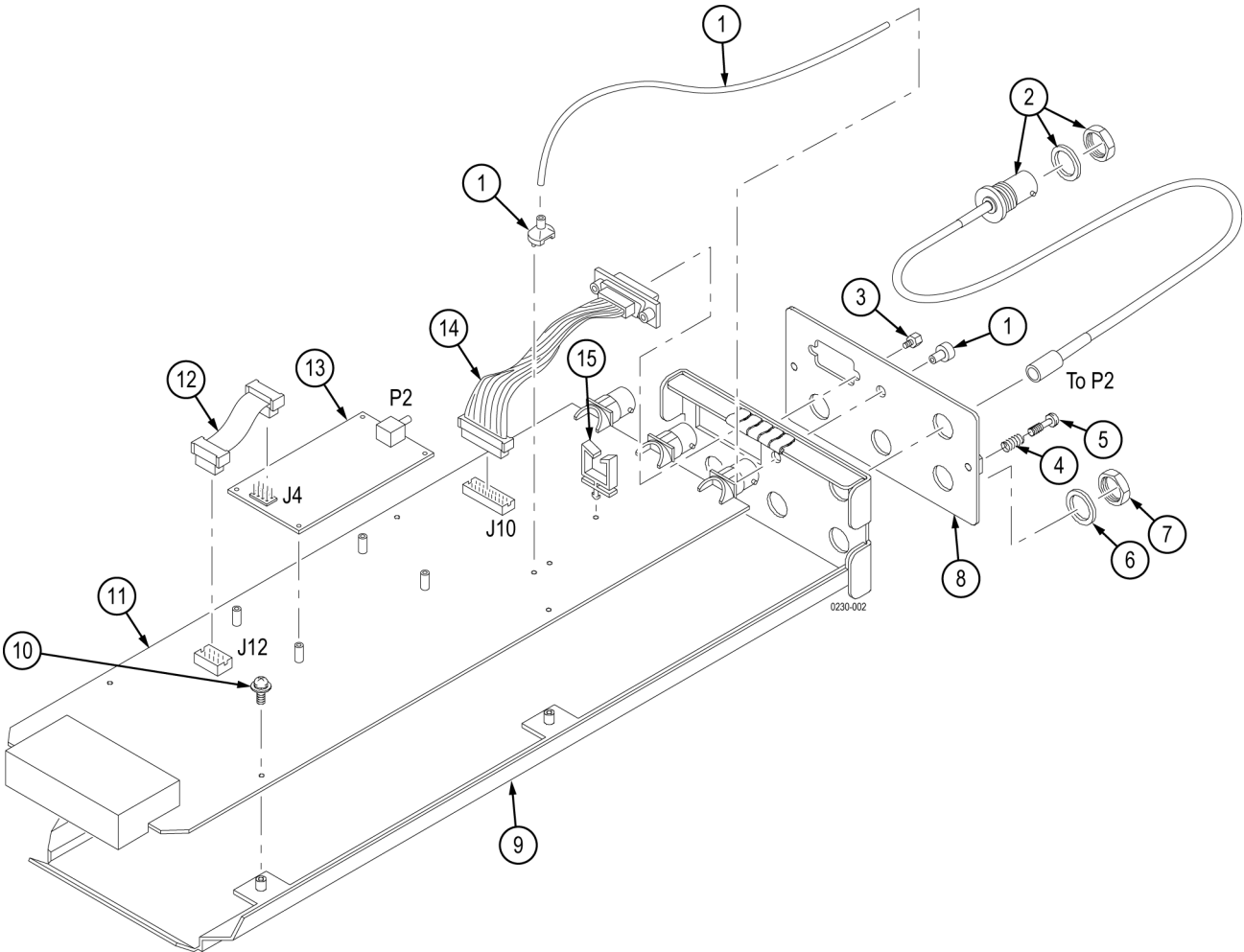


Figure 9-5: GPS7 replaceable parts

HDLG7 HD Dual Link Video Generator

HDLG7 HD Dual Link Video Generator Theory of Operation

This section describes the basic operation of the major circuit blocks in the HDLG7 module.

Bus Interface	This block provides the communication between the mainframe and the module circuit.
Deserializer	This block contains a cable equalizer and deserializer circuit that converts the HDTV Serial Digital Input signal to a 20-bit parallel video signal with the recovered parallel clock. The circuitry also detects the presence of input signal and identifies the format and rate of the incoming signal.
Signal Processing	The Signal Processing block up-interpolates the Cb and Cr data and then color-space converts the incoming video signal to RGB. 4:4:4 YCbCr and RGB signals are available at the output of this block. If XYZ is desired as the output, the gamma correction is removed from the RGB data and the data is color-space converted to linear XYZ data. The linear XYZ data is then converted using the digital cinema gamma correction factor.
Converter Formatter	This block allows selection of the output sample structure, separating the video data into the dual link format, reinsertion of EAV/SAV data to the two output signals, and adding incoming ancillary data and embedded audio to the Link A output video signal.
Address Generator	This block consists of sample and line counters that can be frame delayed from a frame reference pulse using the MPU interface. The counter outputs are used to control the signal generation.
Signal Generator Engine	The Signal Generator Engine contains circuitry to generate the selected test signal as well as the EAV and SAV blanking data using the sample and line counts from the Address Generator.
Generator Formatter	The Generator Formatter separates the generated video into two output signals (Link A and Link B).
Link A Serializer	The Link A Serializer block transforms the selected 20-bit parallel video signal (converted or generated) to a serial digital signal and drives a 75 Ω BNC output. In addition, CRC, line numbers, and payload packet are generated and inserted within this block.

Link B Serializer

The Link B Serializer block transforms the selected 20-bit parallel video signal (converted or generated) to a serial digital signal and drives a 75 Ω BNC output. In addition, CRC, line numbers, and payload packet are generated and inserted within this block.

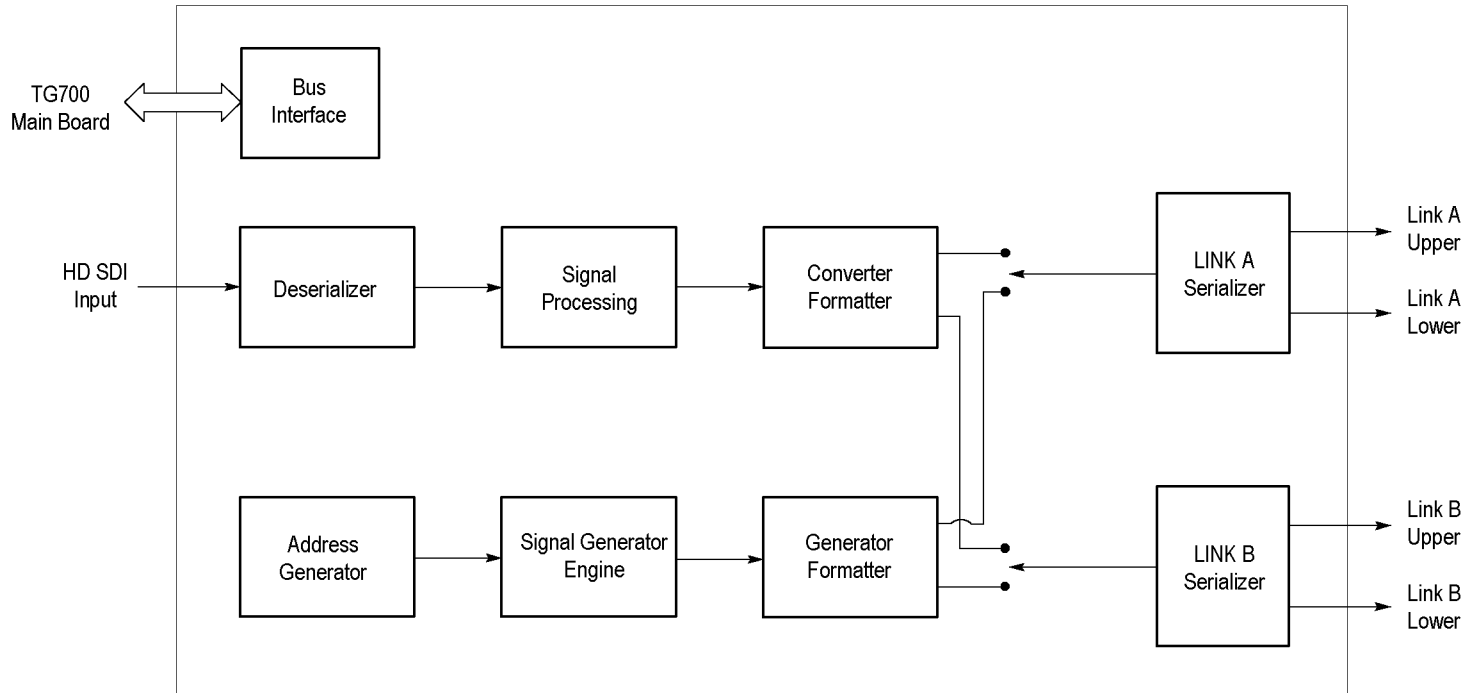


Figure 10-1: Simplified block diagram of the HDLG7 module

HDLG7 HD Dual Link Video Generator Maintenance

This section contains instructions and procedures for maintaining the HDLG7 module. Before following these procedures, read *Maintenance for Generators and Modules*. (See page xix.)

The following information can be found in this section:

- Removal and Replacement (See page 10-4.)
- Troubleshooting (See page 10-6.)

If the instrument does not function properly, troubleshooting and corrective measures should be taken immediately to prevent additional problems.

NOTE. *Contact your local Tektronix representative for information on where to return your instrument if it requires repair during the warranty period.*

HDLG7 HD Dual Link Video Generator Removal and Replacement

This section contains the instructions on how you can remove and replace the customer replaceable parts of the HDLG7 module.

Tools Required

The following tools are required to perform the removal and replacement procedures:

Table 10-1: Required tools for removal and replacement of HDLG7 HD Dual Link Video Generator

Name	Description	Tektronix part number
Screwdriver handle	Accepts Phillips-driver bits	
#1 Phillips tip	Phillips-driver bit for #1 size screw heads	
#2 Phillips tip	Phillips-driver bit for #2 size screw heads	
Nut driver, 14 mm	Special nut driver for removing the BNC connectors of the HDLG7 module	003-A041-00

Replacing the Rear-Panel Connectors and Chassis

It is usually not necessary to replace the rear-panel connectors, or chassis. However, if a connector or chassis becomes damaged, you can replace it.

Replacing the Rear-Panel Connectors

Perform the following procedure to replace the rear-panel connector:

1. Use the *Removing a Module* section to remove the HDLG7 module from the mainframe. (See page 1-41, *Removing a Module*.)
2. Disconnect the cables at J911 (upper LINK A), J912 (lower LINK A), J922 (upper LINK B), J921 (lower LINK B), and J711 (HD SDI IN) on the HDLG7 circuit board.
3. Use the 14 mm nut driver to remove the nut securing the damaged connector to the chassis. Pull the connector away.
4. Perform steps 2 and 3 in reverse order to replace the connector.

Replacing the Chassis

Perform the following procedure to replace the chassis:

1. Use the 14 mm nut driver to remove the nuts from each of the rear-panel connectors.
2. Use a screwdriver with a #2 Phillips tip to remove the six screws securing the circuit board to the chassis.
3. Lift the circuit board up and away from chassis, and then place it on a static free surface.
4. Set the replacement chassis on a firm, flat, static-free work surface.
5. Carefully place the circuit board in place on the chassis.
6. Use a screwdriver with a #2 Phillips tip to install the six screws securing the circuit board to the chassis.
7. Apply the rear panel to the chassis, and then install all the rear-panel connectors to the chassis.

HDLG7 HD Dual Link Video Generator Troubleshooting

This section contains instructions and procedures for troubleshooting the HDLG7 module. These procedures will help you decide whether it is necessary to replace your module.

If the TG700 mainframe does not boot up or if the display is not working, refer to the *TG700 Troubleshooting* section in this manual.

Equipment Required

The equipment listed in the following table is required for troubleshooting.

Table 10-2: Equipment required for HDLG7 HD Dual Link Video Generator troubleshooting

Equipment description	Minimum requirements/example
Screwdriver handle	Accept Phillips-driver bits
#1 Phillips tip	Phillips-driver bit for #1 size screw heads
TG700 mainframe	A TG700 mainframe that is functioning correctly

Backing up the Instrument Settings

Before you begin the troubleshooting procedures, create a preset to save your instrument settings as follows:

1. Press the **MODULE** button until the mainframe main menu (TG700: PRESET) appears.
2. Press the **ENTER** button to access the PRESET submenu.
3. Press the up (▲) or down (▼) arrow button to select **SAVE**.
4. Press the left (◀) or right (▶) arrow button to select a preset number to save instrument settings.
5. Press the **ENTER** button to save the current instrument settings to the new preset.

After the problem is solved, recall the preset you created.

Troubleshooting Trees

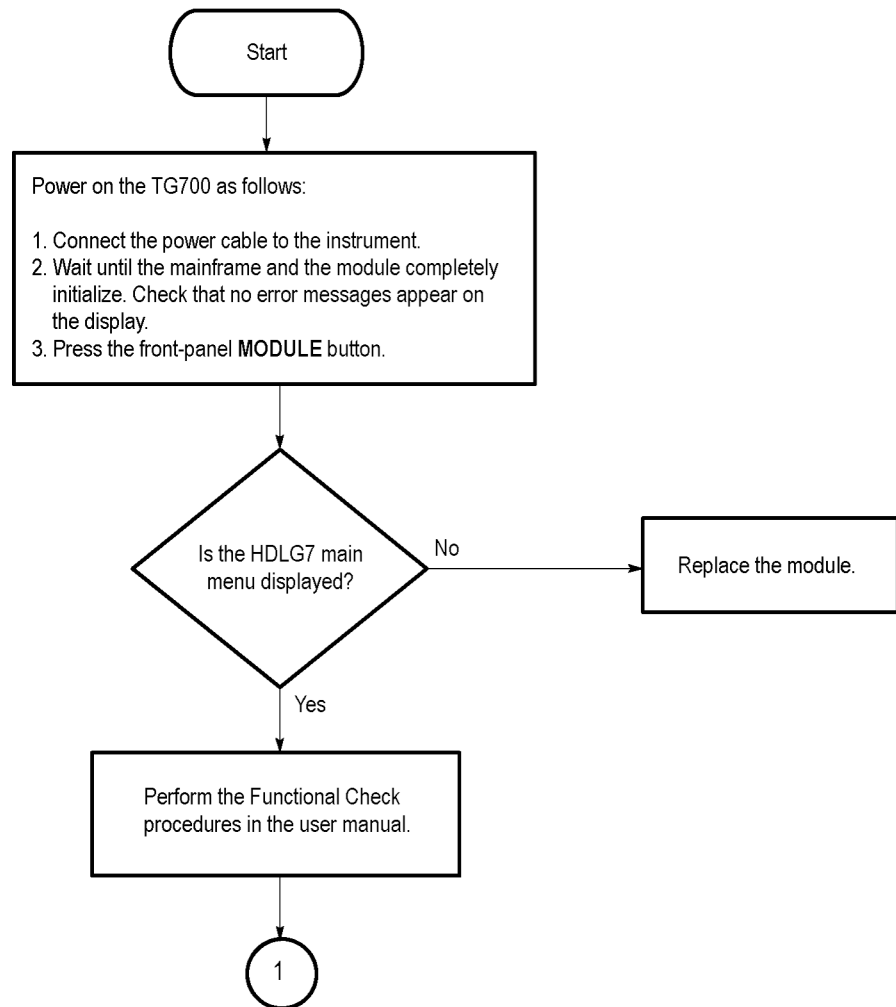


Figure 10-2: Troubleshooting procedure (1)

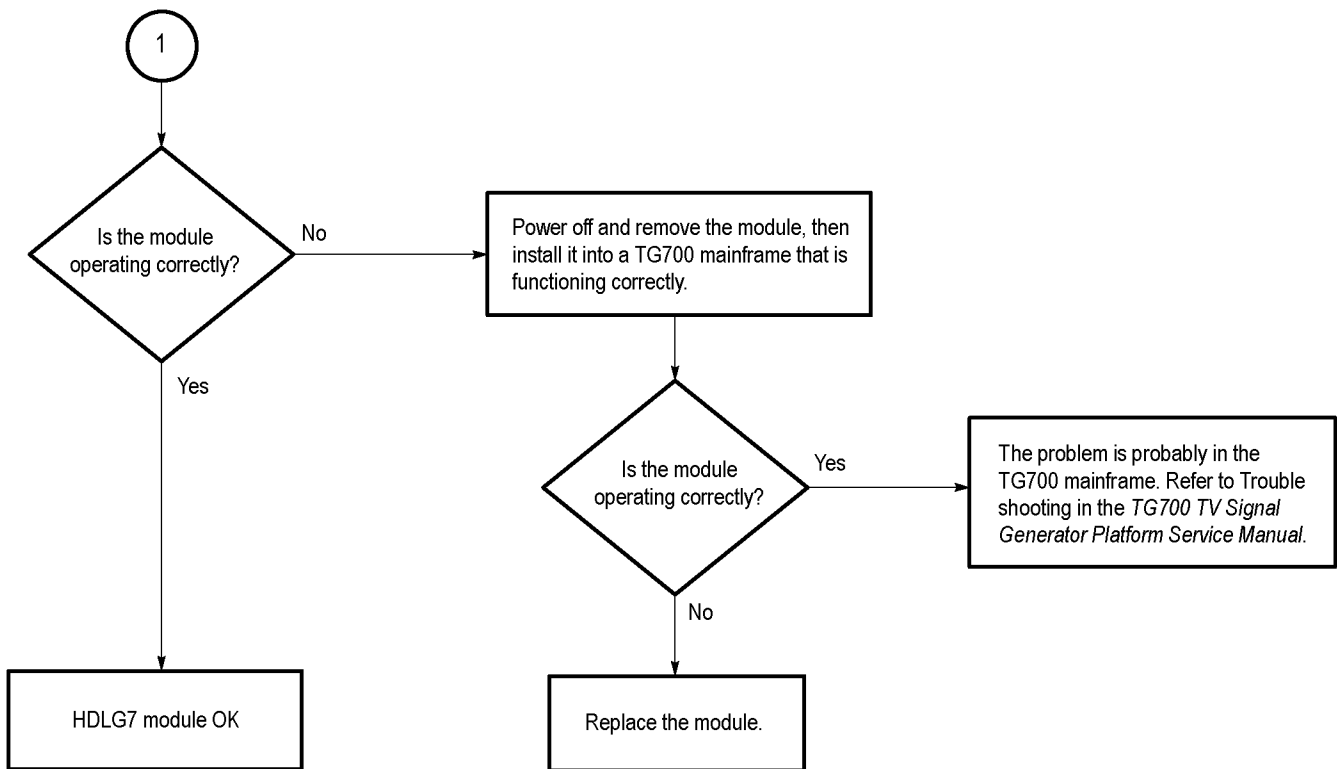


Figure 10-3: Troubleshooting procedure (2)

HDLG7 HD Dual Link Video Generator Diagram

The following figure shows the HDLG7 module and how it interconnects with the TG700 TV Signal Generator Platform.

Diagrams showing mainframe component interconnections, such as power supply and oscillator, can be found in the *TG700 Diagram* section of this manual.

A block diagram of the HDLG7 module is located in the *HDLG7 Theory of Operation* section. (See page 11-1.)

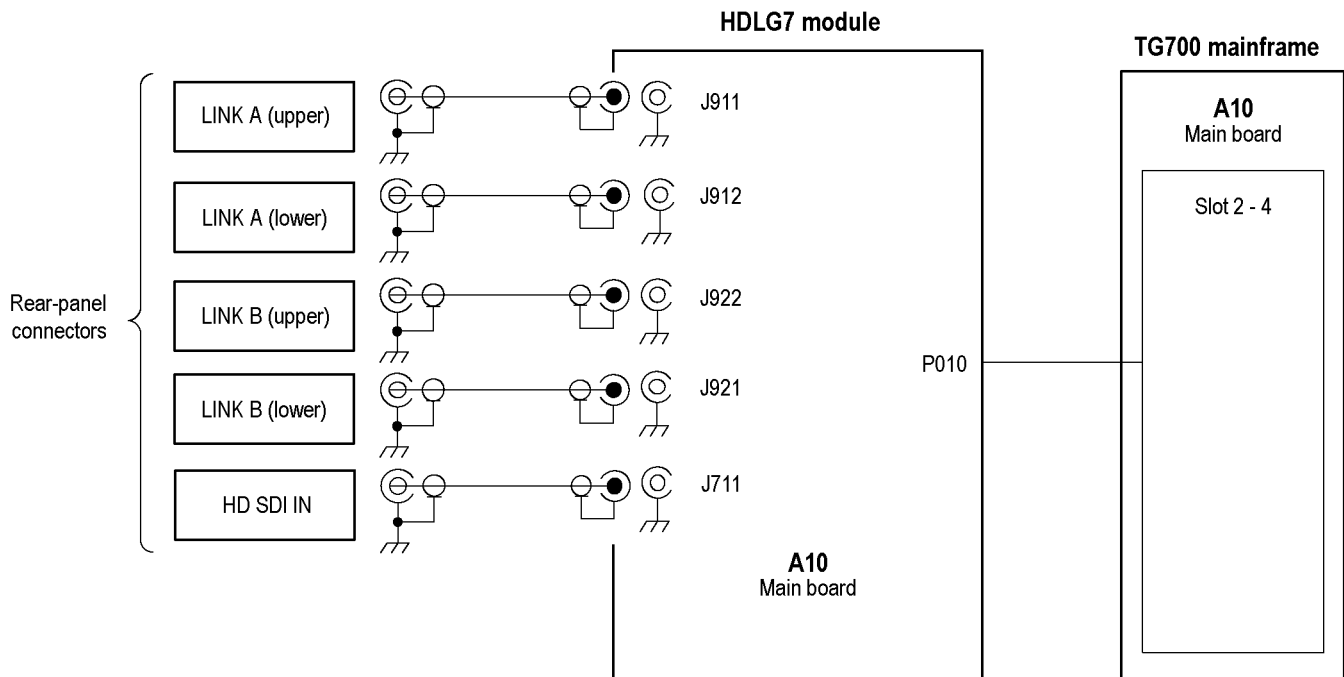


Figure 10-4: HDLG7 module connections

HDLG7 HD Dual Link Video Generator Replaceable Parts List

This section contains a list of the replaceable modules for the HDLG7 module. Use this list to identify and order replacement parts.

Abbreviations Abbreviations conform to American National Standard ANSI Y1.1-1972.

Table 10-3: HDLG7 HD Dual Link Video Generator – replaceable parts

Fig. & index number	Tektronix part number	Serial no. effective	Serial no. discont'd	Qty	Name & description
10-5-1	441-A269-02			1	CHASSIS ASSY;MAIN,AGL7,AL,W/GASKET;SAFETY CONTROLLED
-2	333-4528-00			1	PANEL,REAR:HDLG7,SAFETY CONTROLLED
-3	214-4946-00			2	SPRING,CONICAL:VXI MOUNTING SCREW,0.26MM
-4	213-1129-01			2	SCREW,MACHINE:M2.5X11MM L,PAN HD,STL,NI PL,CROSS REC & SLOTTED
-5	348-A156-01			1	GASKET,SHIELD;FINGER TYPE,BE-CU,8.13MM W X 2.79MM H X406.4MM L]
-6	174-5277-00			5	CABLE,RF,75 OHM;110MM,BNC TO MCX75
-7	211-A245-01			5	SCREW,MACHINE:M3X6MM L,PNH,STL,NI PL,CROSS REC,W/NUT & LOCK WASHER,TG700,TG700 OPT FP, AG7, AGL7, BG7, DVG7, HDVG7
-8	671-6184-00			1	CIRCUIT BD ASSY;DUAL LINK GENERATOR/CONVERTER,TESTED,WIRED 389386000
-9	334-1378-03			1	MARKER,IDENT:MKD SERIAL NO.
STANDARD ACCESSORIES					
	070-A824-XX			1	MANUAL,TECH:MODULE INSTALLATION INSTRUCTIONS
	062-A249-XX			1	SOFTWARE PACKAGE:S/W(CD-R)
OPTIONAL ACCESSORIES					
	070-A800-XX			1	MANUAL,TECH:SERVICE,TG700
	003-A041-00			1	NUTDRIVER,BOX:14MM HEX,BNC RETAINING NUT,MODIFIED 19MM

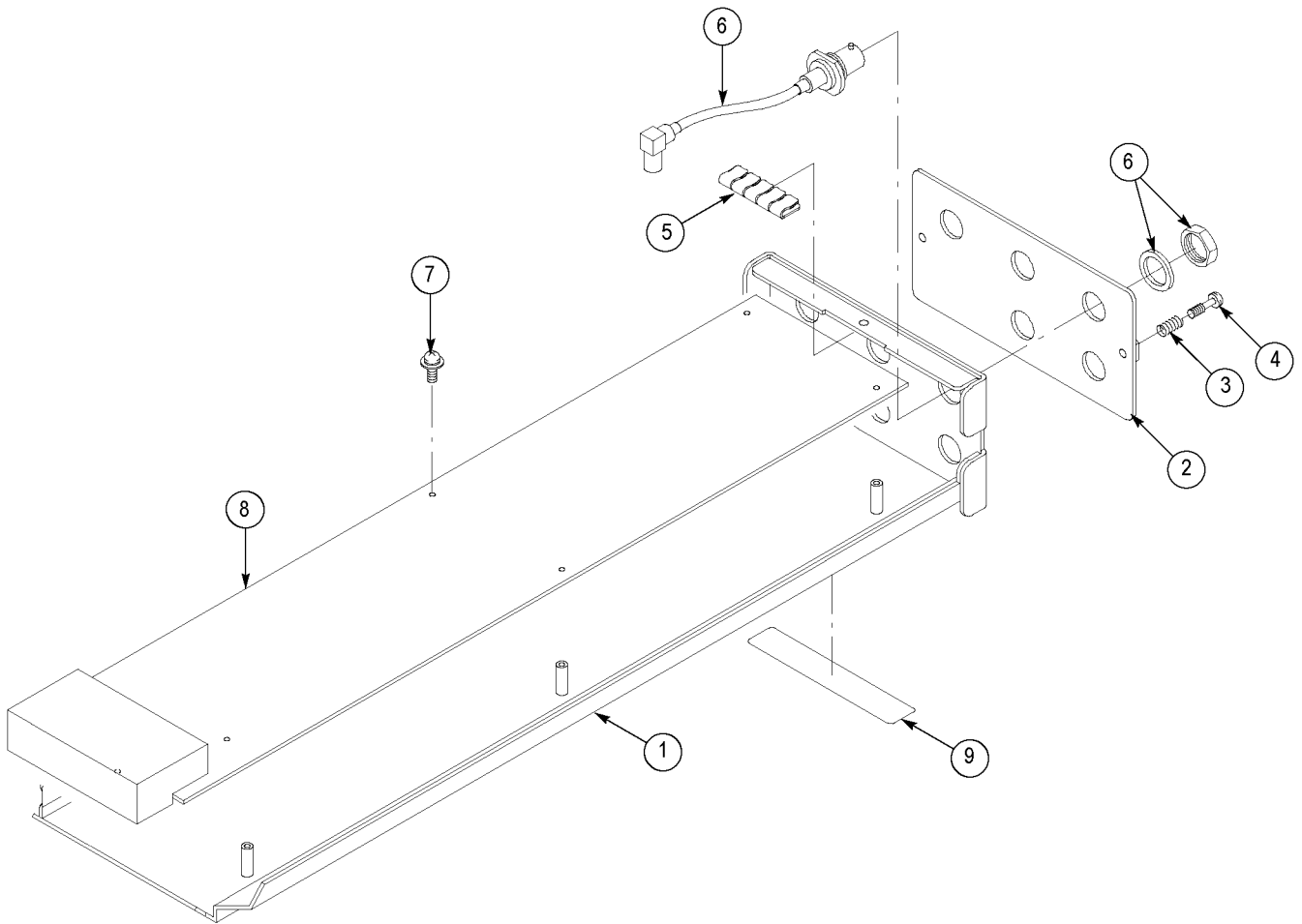


Figure 10-5: HDLG7 module exploded view

HDVG7 HDTV Digital Video Generator

HDVG7 HDTV Digital Video Generator Theory of Operation

This section describes the basic operation of the major circuit blocks in the HDVG7 Generator module.

Bus Interface	This block provides the communication between the mainframe and the module circuit.
Address Generator	This block consists of a frame delay, an MPU interface, a sequencer, an SDRAM controller, and a blanking data generator. It interfaces the Frame Memory and the Line Memory and controls the output sequence of the video data in these memories.
Frame Memory	Frame memory contains a series of pointers that control the order the video lines stored in Line Memory are used to produce serial digital signals.
Line Memory	Line memory holds the actual sample points which define a serial digital signal.
Overlay Controller	This block consists of an MPU interface and an overlay controller. It inserts data from the Overlay Memory into the Line Memory data stream to create circular patterns, ID text, and logo.
Overlay Memory	The memory generates timings to multiplex the line memory data and the overlay data used for a circle, ID text, and logo overlay.
Formatter	This block consists of a line number and CRC generator, an audio control packet generator, a data packet generator, an MPU interface, and an SRAM controller. It inserts line numbers and embedded audio data in the serial digital signals.
Audio Memory	The memory contains embedded audio data.
Serializer	The serializer converts a 20 bits parallel data to SDI signal.
Black Generator (Option BK Only)	This block generates black or gray (40% gray) signal for the BLACK 1 and BLACK 2 outputs.

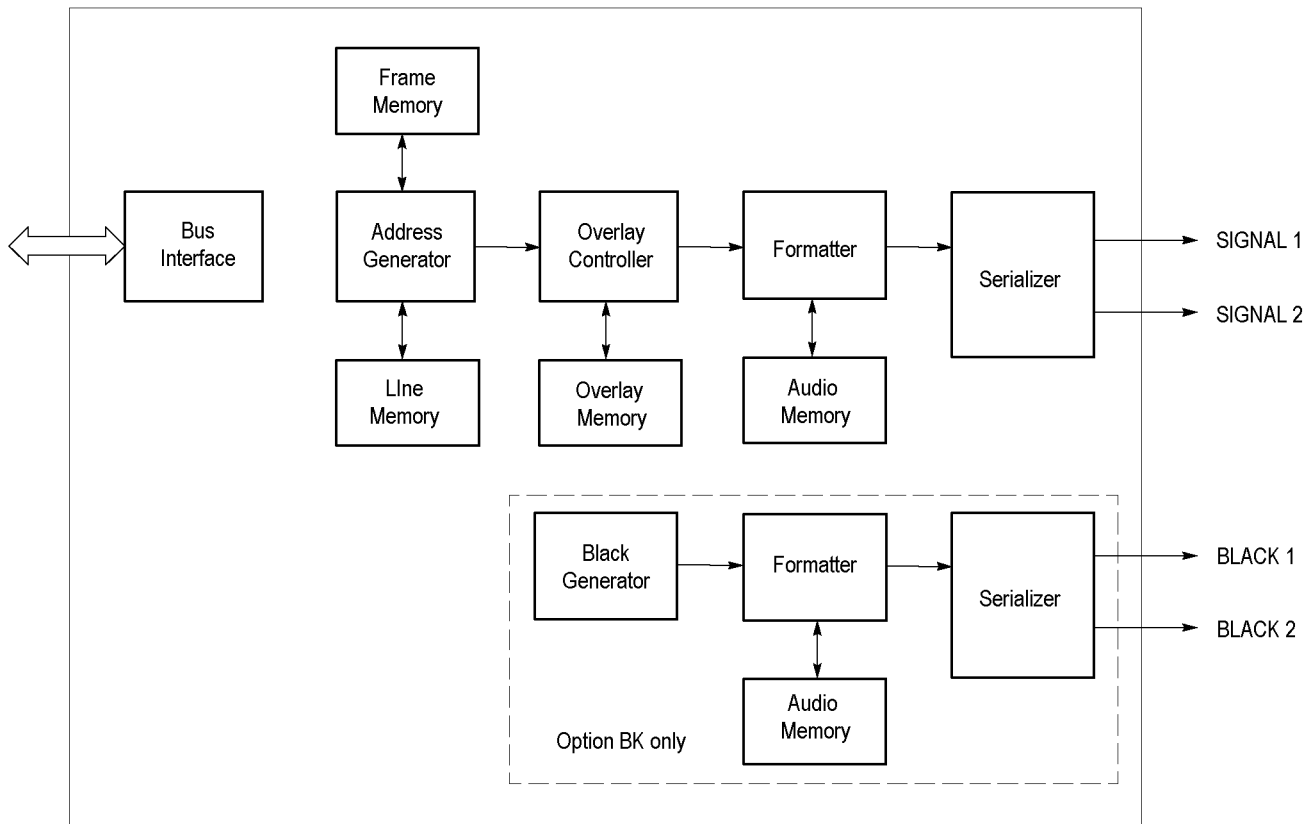


Figure 11-1: Simplified block diagram of the HDVG7 Generator module

HDVG7 HDTV Digital Video Generator Adjustment Procedures

The only adjustment in the HDVG7 Generator module is for the output level.

Requirements for Adjustment

Before doing the adjustment, note the following requirements.

Personnel This procedure is only to be performed by trained service technicians.

Warm-up Period The HDVG7 Generator module requires a 20 minute warm-up time in a +20 °C to +30 °C environment before it is adjusted. Adjustment done before the operating temperature has stabilized may cause errors in performance.

Access When adjusting the output level, you need to remove the top cover of the TG700 mainframe. (See page 1-15, *Top Cover*.)

Equipment Required

The following table lists the equipment required to adjust the output level.

Table 11-1: Equipment required for HDVG7 HDTV Digital Video Generator adjustment procedures

Item	No.	Minimum requirement	Recommended equipment
TV signal generator platform	1		Tektronix TG700
Sampling Oscilloscope	1	Bandwidth: 6 GHz or higher	Tektronix TDS820
75 Ω BNC cable	1	Length: 42 inches	Tektronix part number 012-0074-00
50 Ω BNC to SMA adapter	1		Tektronix part number 015-1018-00
75 Ω coaxial terminator	1		Tektronix part number 011-0102-01
75 Ω signal adapter	1	Bandwidth: 1 GHz Amplitude precision: -3 dB	Tektronix AMT75

Output Level Adjustment

Preparation To perform the output level adjustment, you must first remove the top cover of the TG700 mainframe. (See page 1-15, *Top Cover*.)

After you have removed the top cover, find the variable resistors on the HDVG7 circuit board. (See Figure 11-2.)

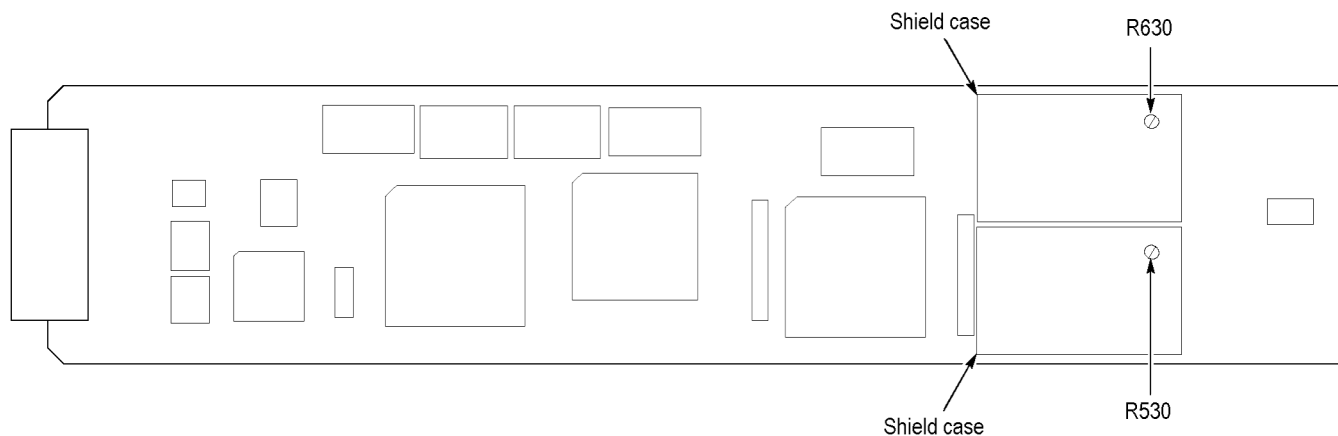


Figure 11-2: HDVG7 circuit board view

Procedure



WARNING. *To avoid serious injury, do not touch exposed connectors or components when operating the TG700 mainframe with the top cover removed. Dangerous potentials exist at several points within the TG700 mainframe.*

1. Use the 75 Ω BNC cable, 75 Ω signal adapter, and SMA-to-BNC adapter to connect the SIGNAL 1 connector on the HDVG7 Generator module to the CH1 input connector on the oscilloscope as shown. (See Figure 11-3.)

NOTE. Some sampling oscilloscopes do not automatically adjust their readouts to account for the $\div 5$ attenuation of the AMT75. You must remember to account for this attenuation while viewing the oscilloscope readouts if you are using an oscilloscope of this type.

2. Use the 75 Ω coaxial terminator to terminate the SIGNAL 2 connector on the HDVG7 Generator module.

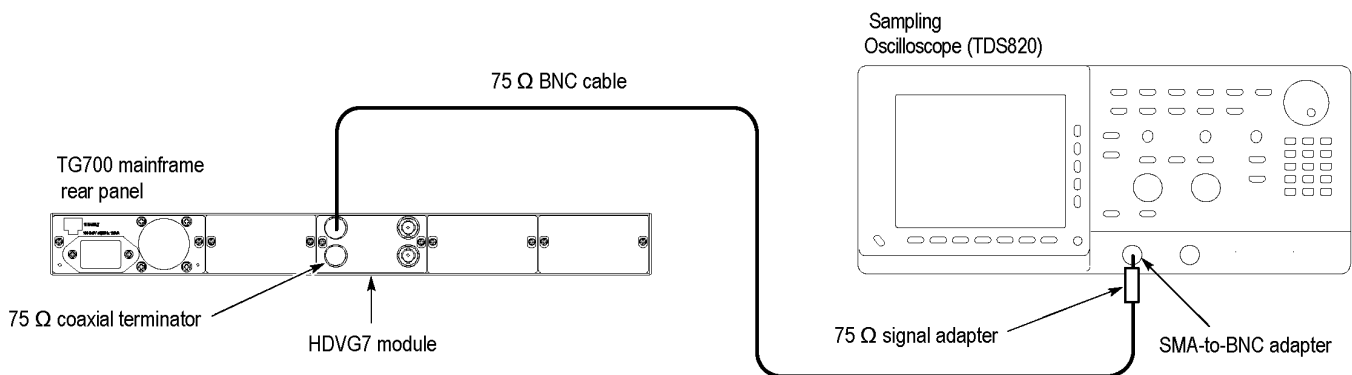


Figure 11-3: Equipment connection for adjusting the output level

3. Set the sampling oscilloscope settings as indicated below:

Vertical	30 mV/div
Horizontal	200 ps/div
Trig Position	50 %
Main Position	700 ps
Trig Level	0 V
Trig Slope	Rising Edge
Acquire Menu	Normal
DISPLAY	Variable persistence: 500 ms

4. Recall the Factory Default preset as follows:
 - a. Press the up (▲) or down (▼) arrow button to select **RECALL**.
 - b. Press the left (◀) or right (▶) arrow button to select **Factory Default**.
 - c. Press the **ENTER** button to recall the factory default settings.
 - d. Press the **CANCEL** button to return the TG700 main menu.
5. Select the **75% Color Bars** signal as follows:
 - a. Press the **MODULE** button to display the **HDVG7** main menu.
 - b. Press the **COLOR BAR** test signal button until the **75% Color Bars** signal is selected.
6. Turn on the "Cursor: HBars" of the sampling oscilloscope, and then set the nV to 159.6 mV.
7. Change the cursor mode to Track, and then position the cursors so that they are symmetrical about the center graticule.
8. Locate variable resistor R530 on the HDVG7 circuit board. (See Figure 11-3.)
9. Adjust the R530 so that the signal amplitude is equal to the height between the two cursors set in step 6.

BLACK Output Level Adjustment (Option BK Only).

1. Move the BNC cable connection from the SIGNAL 1 connector to the BLACK 1 connector and move the 75 Ω terminator from the SIGNAL 2 connector to the BLACK 2 connector on the HDVG7 Generator module.
2. Select the **40% Flat Field** signal as follows:
 - a. Press the **CANCEL** button to return the module main menu.
 - b. Press the up (▲) or down (▼) arrow button to select **BLACK (OPTION)**.
 - c. Press the **ENTER** button to access the BLACK submenu.
 - d. Press the up (▲) or down (▼) arrow button to select **SIGNAL**.
 - e. Press the left (◀) or right (▶) arrow button to select **40% Flat Field** and press the **ENTER** button.
3. Locate the variable resistor R630 on the HDVG7 circuit board. (See Figure 11-3.)
4. Adjust the R630 so that the signal amplitude is equal to the height between the two cursors set in step 6.

This completes the output level adjustment procedures.

HDVG7 HDTV Digital Video Generator Maintenance

This section contains instructions and procedures for maintaining the HDVG7 Generator module. Before following these procedures, read *Maintenance for Generators and Modules*. (See page xix.)

The following information can be found in this section:

- Removal and Replacement (See page 11-8.)
- Troubleshooting (See page 11-10.)

If the instrument does not function properly, troubleshooting and corrective measures should be taken immediately to prevent additional problems.

NOTE. *Contact your local Tektronix representative for information on where to return your instrument if it requires repair during the warranty period.*

HDVG7 HDTV Digital Video Generator Removal and Replacement

This section contains the instructions on how you can remove and replace the customer replaceable parts of the HDVG7 Generator module.

Tools Required

The following tools are required to perform the removal and replacement procedures:

Table 11-2: Required tools for removal and replacement of HDVG7 HDTV Digital Video Generator

Name	Description	Tektronix part number
Screwdriver handle	Accepts Phillips-driver bits	
#1 Phillips tip	Phillips-driver bit for #1 size screw heads	
#2 Phillips tip	Phillips-driver bit for #2 size screw heads	
Nut driver, 14 mm	Special nut driver for removing the BNC connectors of the HDVG7 module	003-A041-00

Replacing the Rear-Panel Connectors and Chassis

It is usually not necessary to replace the rear-panel connectors or chassis. However, if a connector or chassis becomes damaged, you can replace it.

Replacing the Rear-Panel Connectors

Perform the following procedure to replace the rear-panel connector:

1. Use the *Removing a Module* section to remove the HDVG7 Generator module from the mainframe. (See page 1-41, *Removing a Module*.)
2. Disconnect the cables at P500 (SIGNAL 1) and P502 (SIGNAL 2) on the HDVG7 circuit board. If Option BK is installed, also disconnect the cables at J800 (BLACK 1) and J802 (BLACK 2).
3. Use the 14 mm nut driver to remove the nut securing the damaged connector to the chassis. Pull the connector away.
4. Perform steps 2 and 3 in reverse order to replace the connector.

Replacing the Chassis

Perform the following procedure to replace the chassis:

1. Use the 14 mm nut driver to remove the nuts from each of the rear-panel connectors.
2. Use a screwdriver with a #2 Phillips tip to remove the six screws securing the circuit board to the chassis.
3. Lift the circuit board up and away from chassis, and then place it on a static free surface.
4. Set the replacement chassis on a firm, flat, static-free work surface.
5. Carefully place the circuit board in place on the chassis.
6. Use a screwdriver with a #2 Phillips tip to install the six screws securing the circuit board to the chassis.
7. Apply the rear panel to the chassis, and then install all the rear-panel connectors to the chassis.

HDVG7 HDTV Digital Video Generator Troubleshooting

This section contains instructions and procedures for troubleshooting the HDVG7 Generator module. These procedures will help you decide whether it is necessary to replace your module.

If the TG700 mainframe does not boot up or if the display is not working, refer to the *TG700 Troubleshooting* section in this manual.

Equipment Required

The equipment listed in the following table is required for troubleshooting.

Table 11-3: Equipment required for HDVG7 HDTV Digital Video Generator troubleshooting

Equipment description	Minimum requirements/example
Screwdriver handle	Accept Phillips-driver bits
#1 Phillips tip	Phillips-driver bit for #1 size screw heads
TG700 mainframe	A TG700 mainframe that is functioning correctly.

Backing up the Instrument Settings

Before you begin the troubleshooting procedures, create a preset to save your instrument settings as follows:

1. Press the **MODULE** button until the mainframe main menu (TG700: PRESET) appears.
2. Press the **ENTER** button to access the PRESET submenu.
3. Press the up (▲) or down (▼) arrow button to select **SAVE**.
4. Press the left (◀) or right (▶) arrow button to select a preset number to save instrument settings.
5. Press the **ENTER** button to save the current instrument settings to the new preset.

After the problem is solved, recall the preset you created.

Troubleshooting Trees

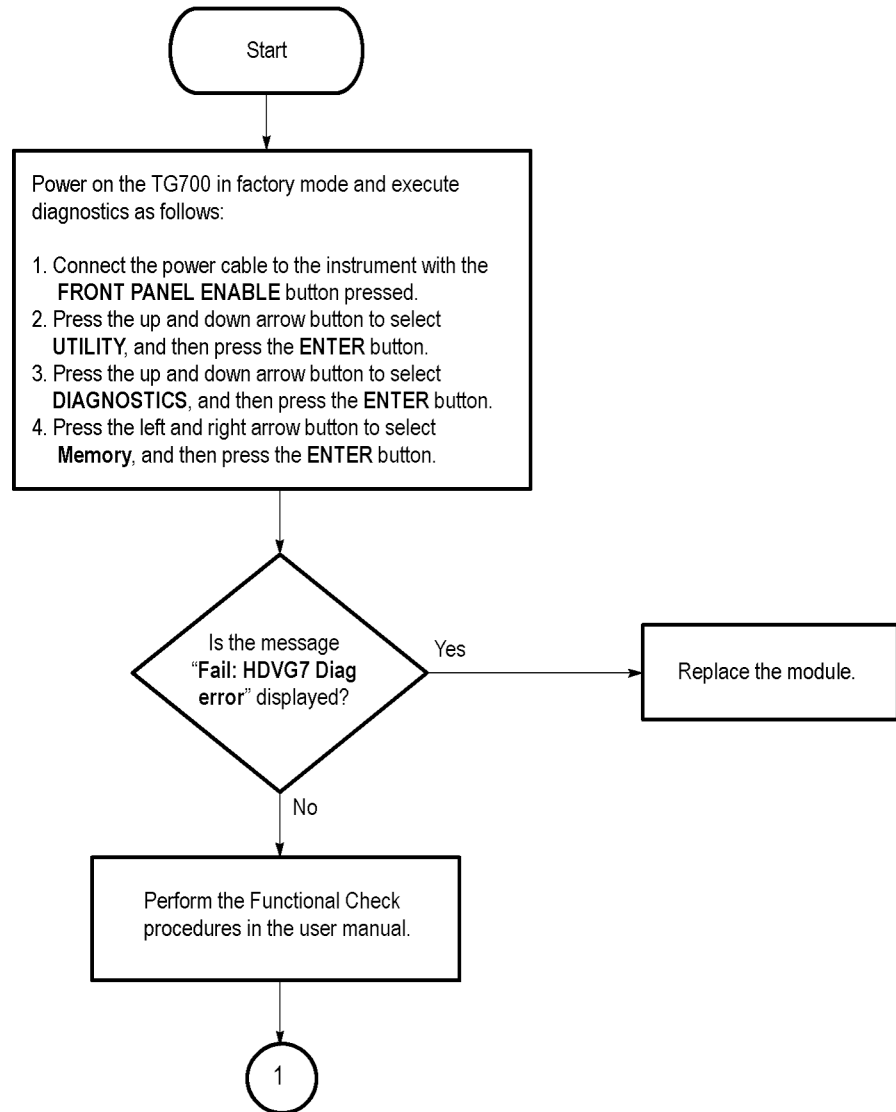


Figure 11-4: Troubleshooting procedure (1)

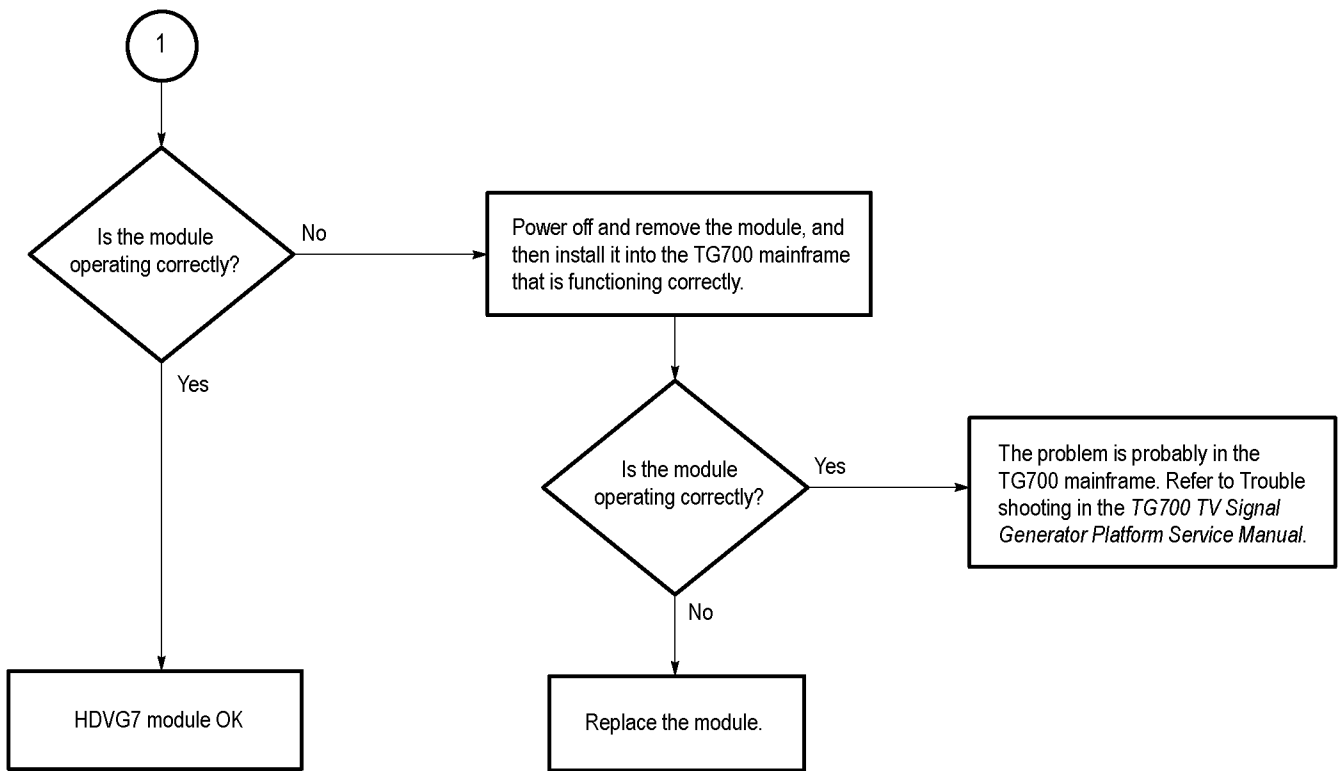


Figure 11-5: Troubleshooting procedure (2)

HDVG7 HDTV Digital Video Generator Diagram

The following figure shows the HDVG7 Generator module and how it interconnects with the TG700 TV Signal Generator Platform.

Diagrams showing mainframe component interconnections, such as power supply and oscillator, can be found in the *TG700 Diagram* section of this manual.

A block diagram of the HDVG7 Generator module is located in the *HDVG7 Theory of Operation* section. (See page 11-1.)

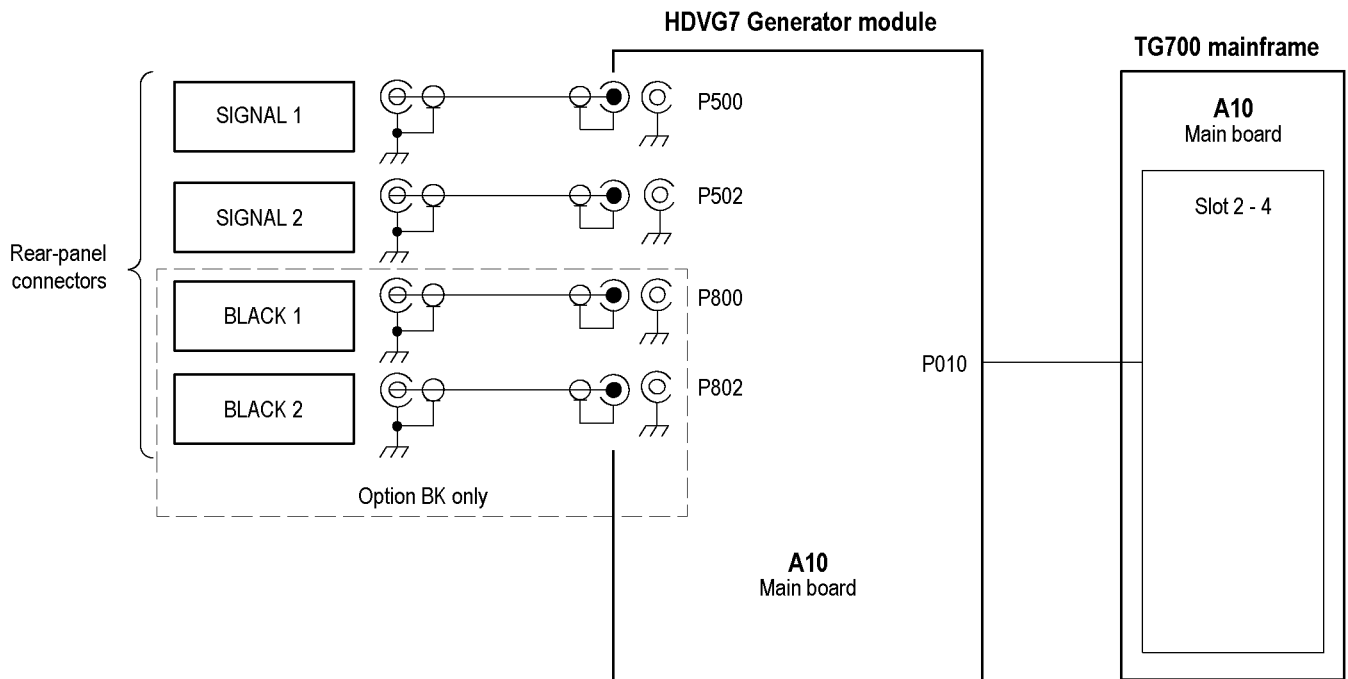


Figure 11-6: HDVG7 Generator module connections

HDVG7 HDTV Digital Video Generator Replaceable Parts List

This section contains a list of the replaceable modules for the HDVG7 Generator module. Use this list to identify and order replacement parts.

Abbreviations Abbreviations conform to American National Standard ANSI Y1.1-1972.

Table 11-4: HDVG7 HDTV Digital Video Generator – replaceable parts

Fig. & index number	Tektronix part number	Serial no. effective	Serial no. discont'd	Qty	Name & description
11-7-	116-A007-05			1	EXCHANGE MODULE:HDVG7
	116-A008-05			1	EXCHANGE MODULE:HDVG7-BK
11-7-1	441-A275-00			1	CHASSIS,MODULE HDVG7:ASSY
-2	333-A409-00			1	PANEL,REAR:HDVG7,AL
	333-A410-00			1	PANEL,REAR:HDVG7 OPTION,AL
-3	214-4946-00			2	SPRING,CONICAL:VXI MOUNTING SCREW,0.26MM
-4	213-1129-01			2	SCREW,MACHINE:M2.5X11MM L,PAN HD,STL,NI PL,CROSS REC & SLOTTED
-5	348-A128-00			2.5 CM	SHLD GASKET,ELEK:FINGER TYPE,5.1MM LX6.4MM W,BE-CU [97-645-02]
-6	174-B846-00			2	CABLE ASSY,RF:75OHM,COAX(RG179),6CM L,BNC TO PL71-LP-1.5C
	174-B846-00			4	CABLE ASSY,RF:75OHM,COAX(RG179),6CM L,BNC TO PL71-LP-1.5C (OPTION BK)
-7	211-A245-01			6	SCREW,MACHINE:M3X6MM L,PNH,STL,NI PL,CROSS REC,W/KOGATAMARU & LOCK WASHER
-8	334-1378-03			1	MARKER,IDENT:MKD SERIAL NO.
-9	342-A146-00			1	INSULATOR,PLATE:HEAT CONDUCTOR,RUBBER, 20MMX20MMX10MM THK [TC1000-TCK]
	342-A146-00			2	INSULATOR,PLATE:HEAT CONDUCTOR,RUBBER, 20MMX20MMX10MM THK [TC1000-TCK]
STANDARD ACCESSORIES					
	070-A824-XX			1	MANUAL,TECH:MODULE INSTALLATION INSTRUCTIONS
	062-A249-XX			1	SOFTWARE PACKAGE:S/W(CD-R)
OPTIONAL ACCESSORIES					
	070-A800-XX			1	MANUAL,TECH:SERVICE,TG700
	003-A041-00			1	NUT DRIVER,BOX:14MM HEX,BNC RETAINING NUT, MODIFIED 19MM

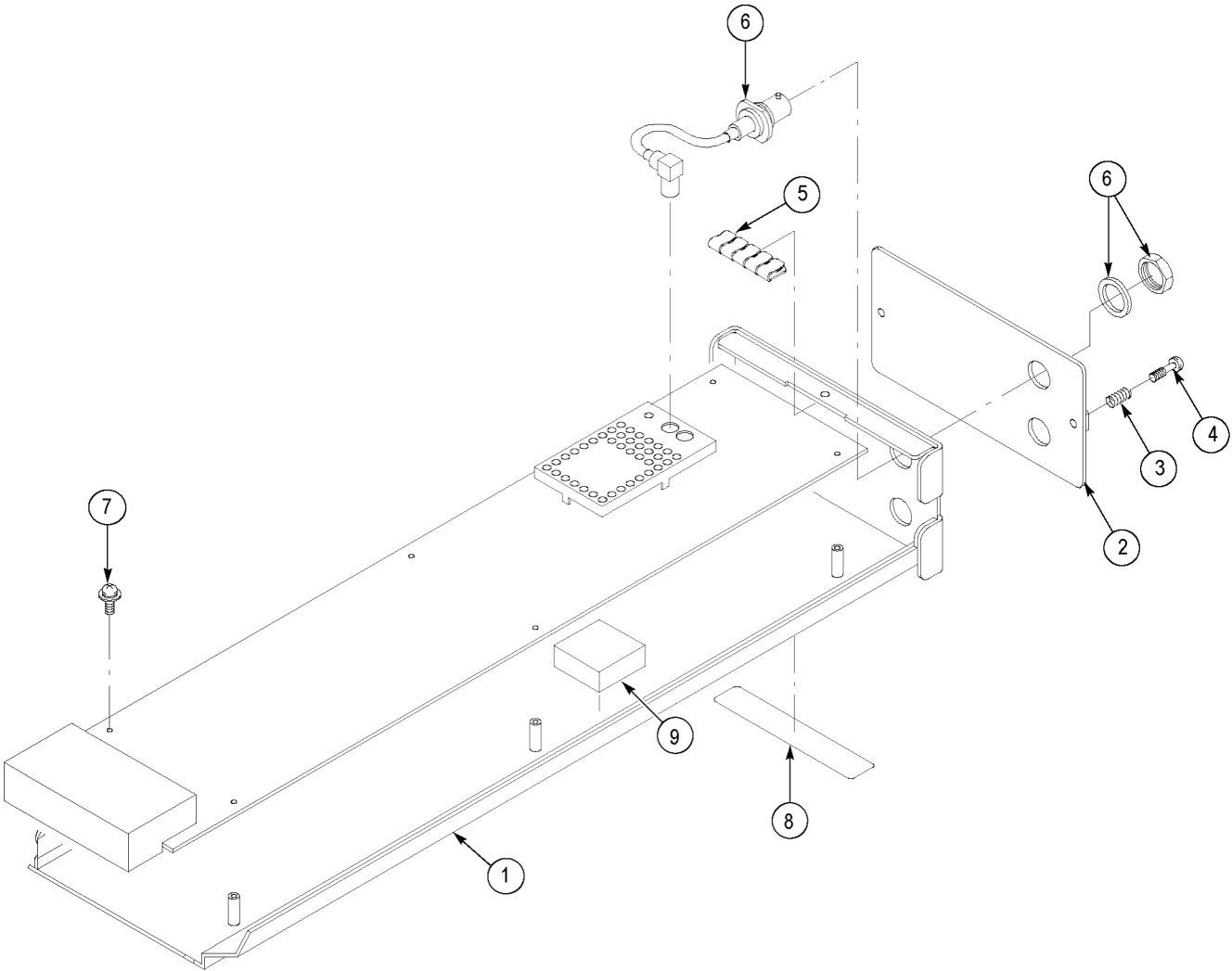


Figure 11-7: HDVG7 Generator module exploded view